

KEY FEATURES

- ✓ Weather resistant
- ✓ Will not rot or corrode
- ✓ Suitable only all U6/G4 domestic gas meters including pre-payment meters and some medium pressure applications
- ✓ Meter box key included

SPECIFICATION

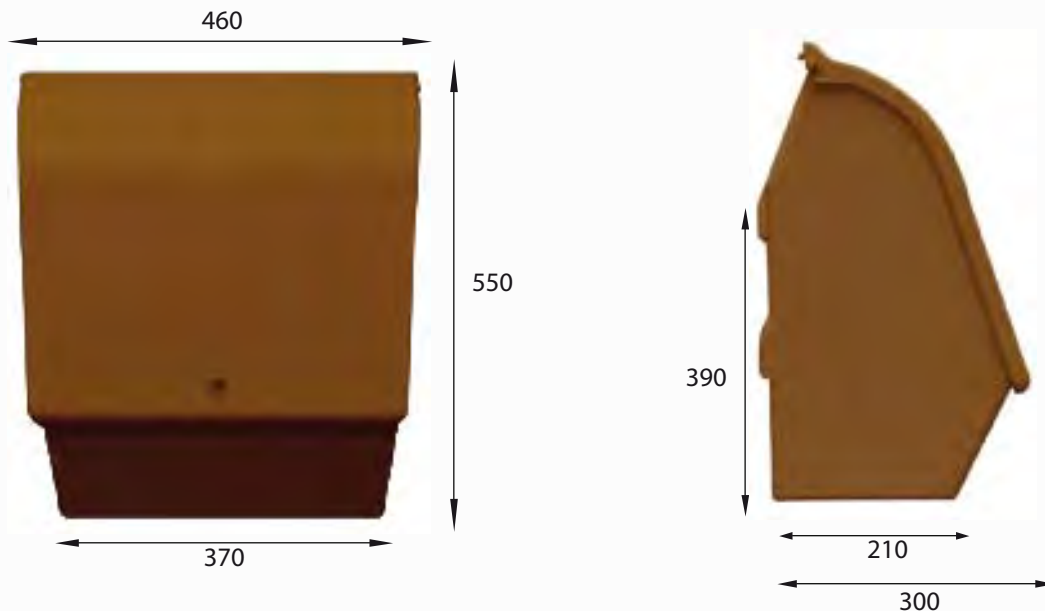
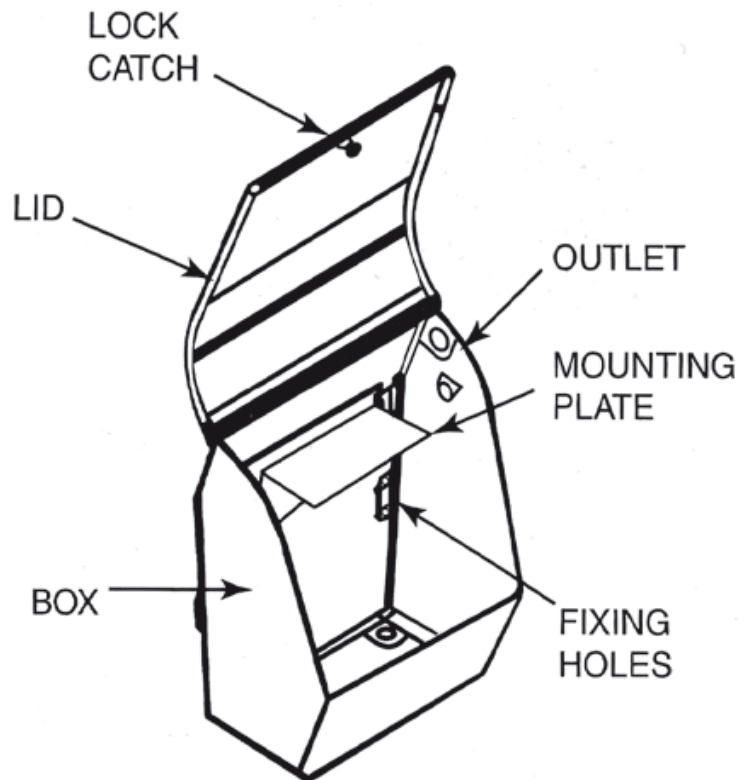
- ✓ Manufactured in glass reinforced plastic
- ✓ Fitted meter bracket
- ✓ Fire retardant to BS476 Part 7 Class 2

INSTALLATION

Fitted at ground level submerged into the ground by up to 75mm, or fixed onto the wall. This allows for fitting to the wall at ground level without bridging the damp course. The gas service entry to the installation is through the bottom of the box on the left-hand side with a built-in mounting for a PE pipe transition fitting. The gas outlet positions are on the right-hand side

OPTIONAL EXTRAS

- ✓ Replacement lid G60035

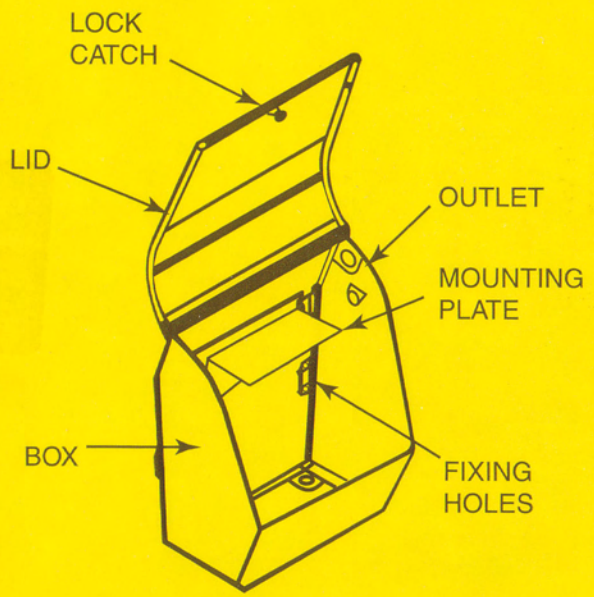


MULTI-METER BOX GENERAL INSTRUCTIONS

It is a legal requirement that only competent people shall carry out any work in relation to gas fitting. Employers have the responsibility to ensure that all employees undertaking work on any fittings are competent

INSTALLING THE BOX

Ensure that the meter box is not damaged.
The box should be positioned so as not to cause obstruction or be exposed to damage from vehicles, etc. It should be located as close as practicable to the point where the dwelling pipework is required to enter the dwelling
Excavate trench for meter box against exterior property wall in the position previously agreed.
If in doubt, ask the site agent.
If fitted below ground level, position box to line at ground level. If above ground level position to ensure DPC is not compromised by mounting pads.
Using the box as a template, mark 4 fixing holes on the wall ensuring box is level. Fix to wall using four screws, washers and raw plugs.
Back fill the trench if fitted below ground level.
Fit the lid by aligning the hole on the right hand side of the lid to the boss feature on the right hand side of the box and then slide the left hand side of the lid onto the left hand side slot feature of the box and rotate down to close the lid.
CUSTOMER
This space is reserved for your gas meter. When you require a meter to be installed, please telephone your gas supplier.
PLEASE TRY AND GIVE AT LEAST 7 DAYS NOTICE.



INSTALLATION PIPEWORK

All work must be carried out in accordance with the Gas Safety (Installation and Use) Regulations.
Care must be taken when using a blowlamp close to the box.
The installation pipework shall exit on the right hand side of the meter box.
The installation pipe should enter the property as close as practicable to the outlet of the meter box, keeping to a minimum the pipework external to the dwelling.
The pipe entering the property must pass through the wall using a sleeve (sealed to the wall and pipe) in accordance with BS 6891.
The completed installation pipework must be tested for gas tightness in accordance with BS 6891.
Pipework external to the box and building must, wherever necessary, be suitably protected against corrosion.
Where the meter box is installed remote from the dwelling it serves, an emergency control valve shall be installed at a point where the installation pipework enters the dwelling in accordance with Gas Safety (Installation and Use) Regulations.
UNLESS INSTRUCTIONS ARE COMPLIED WITH, THE GAS METER MAY NOT BE INSTALLED.
GAS MUST NOT BE MADE AVAILABLE TO APPLIANCES UNLESS THEY HAVE BEEN FULLY COMMISSIONED.
Electrical cross bonding.
Main equipotential bonding shall be made in accordance with BS 7671.

IF YOU THINK YOU CAN SMELL GAS

Turn off the supply at the control valve. Open doors and windows.

Do NOT use naked flames.

Do NOT turn electrical switches on or off. Do NOT smoke.

IMMEDIATELY CONTACT THE GAS EMERGENCY SERVICE
THE TELEPHONE NUMBER IS

0800 111 999

Do NOT reopen the supply until remedial action has been taken by a competent person to prevent gas escaping again.