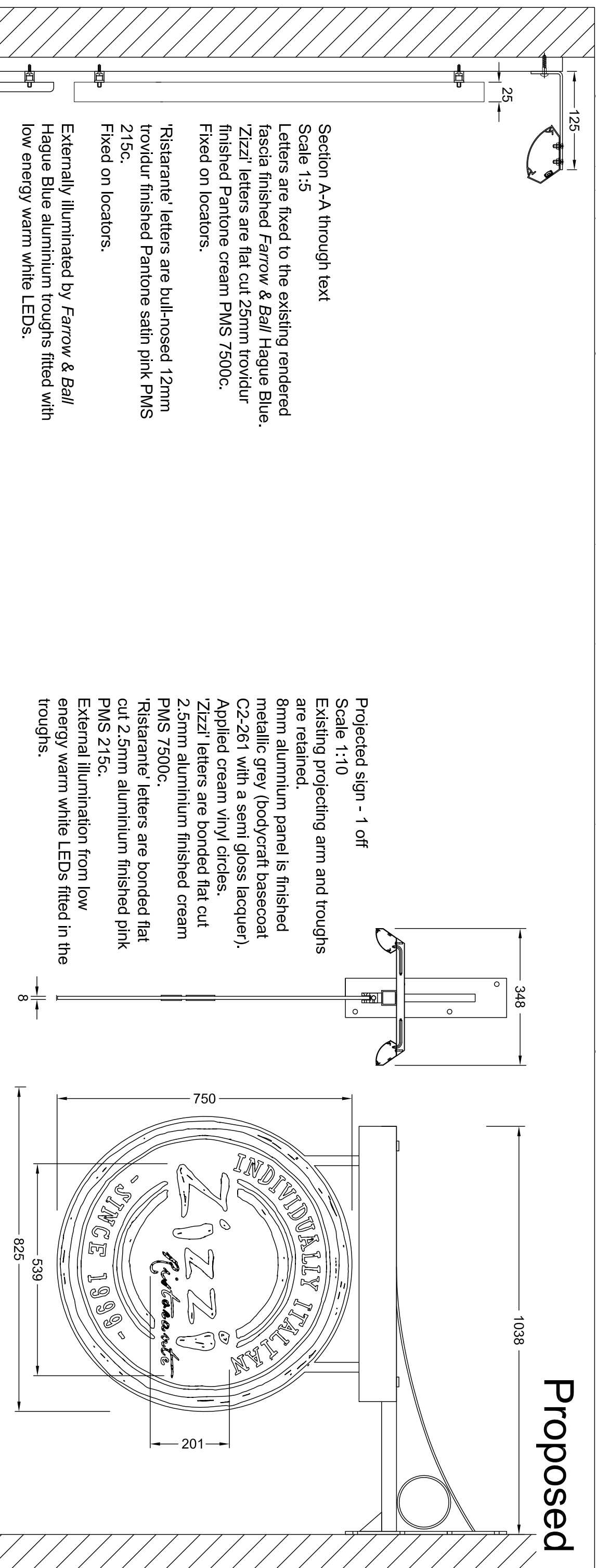


Proposed



Projected sign - 1 off

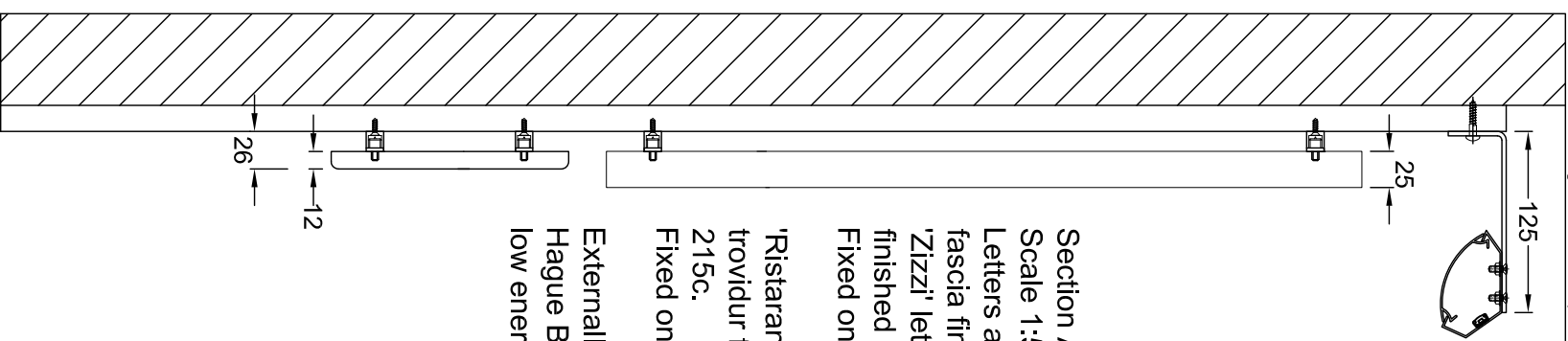
Scale 1:10

Existing projecting arm and troughs are retained.
 8mm aluminium panel is finished metallic grey (bodycraft basecoat C2-261 with a semi gloss lacquer).
 Applied cream vinyl circles.
 'Zizzi' letters are bonded flat cut 2.5mm aluminium finished cream PMS 7500c.
 'Ristorante' letters are bonded flat cut 2.5mm aluminium finished pink PMS 215c.
 External illumination from low energy warm white LEDs fitted in the troughs.

Section A-A through text

Scale 1:5

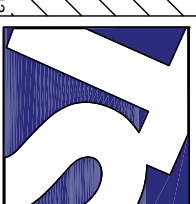
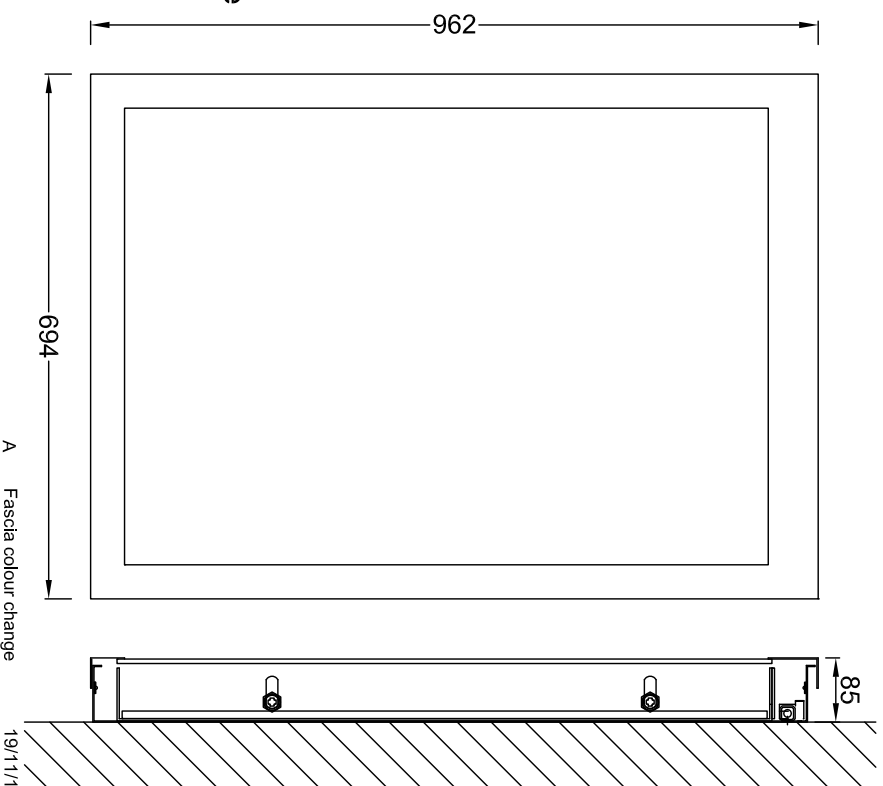
Letters are fixed to the existing rendered fascia finished *Farrow & Ball* Hague Blue.
 'Zizzi' letters are flat cut 25mm trovidur finished Pantone cream PMS 7500c.
 Fixed on locators.
 'Ristorante' letters are bull-nosed 12mm trovidur finished Pantone satin pink PMS 215c.
 Fixed on locators.
 Externally illuminated by *Farrow & Ball* Hague Blue aluminium troughs fitted with low energy warm white LEDs.



Wall mounted menu - 1 off

Scale 1:10

1.2mm descaled stainless steel box is finished metallic grey (bodycraft basecoat C2-261 with a semi gloss lacquer).
 Box fitted with a rear hinge and standard cam locks.
 Window to be backed up with a 6mm clear toughened glass panel.
 3mm 040 acrylic insert with standard pin board.
 Menu fitted with low energy white LEDs.
 Screw fixed to the wall.



Technical Signs
 Floor 1 - Unit 3
 Hille Business Centre
 132 St Albans Road
 Watford, Herts, WD2 4AE
 Tel: 01923 811999
 Fax: 01923 811998
 E-mail: info@technicalsigns.co.uk

Client: Zizzi
 Address/Job details
 39 - 41 Charlotte St
 London
 W1T 1RR

Proposed Signage

Job No	
Drawn by	DN
Date	01/11/13
Scale	As specified (A3)
Drawing No	394223-4
Rev	A

19/11/13