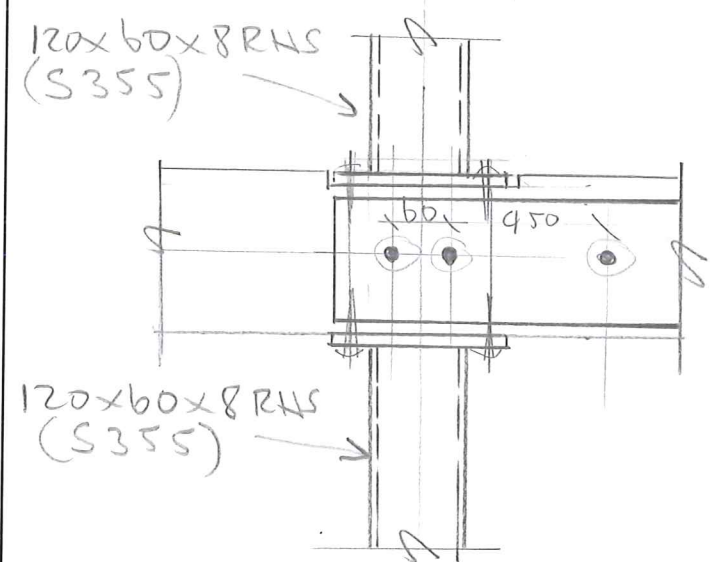
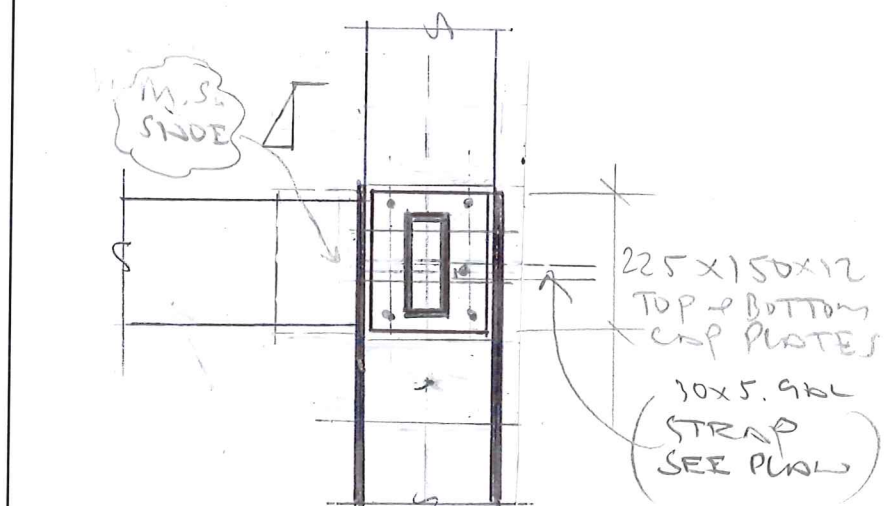
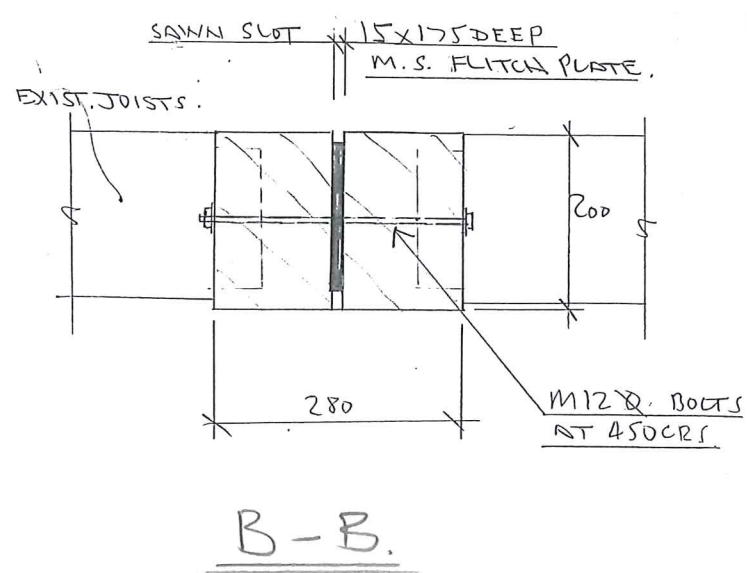
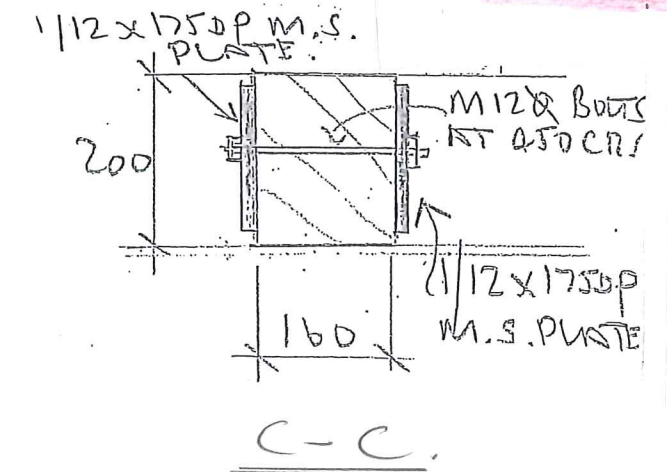
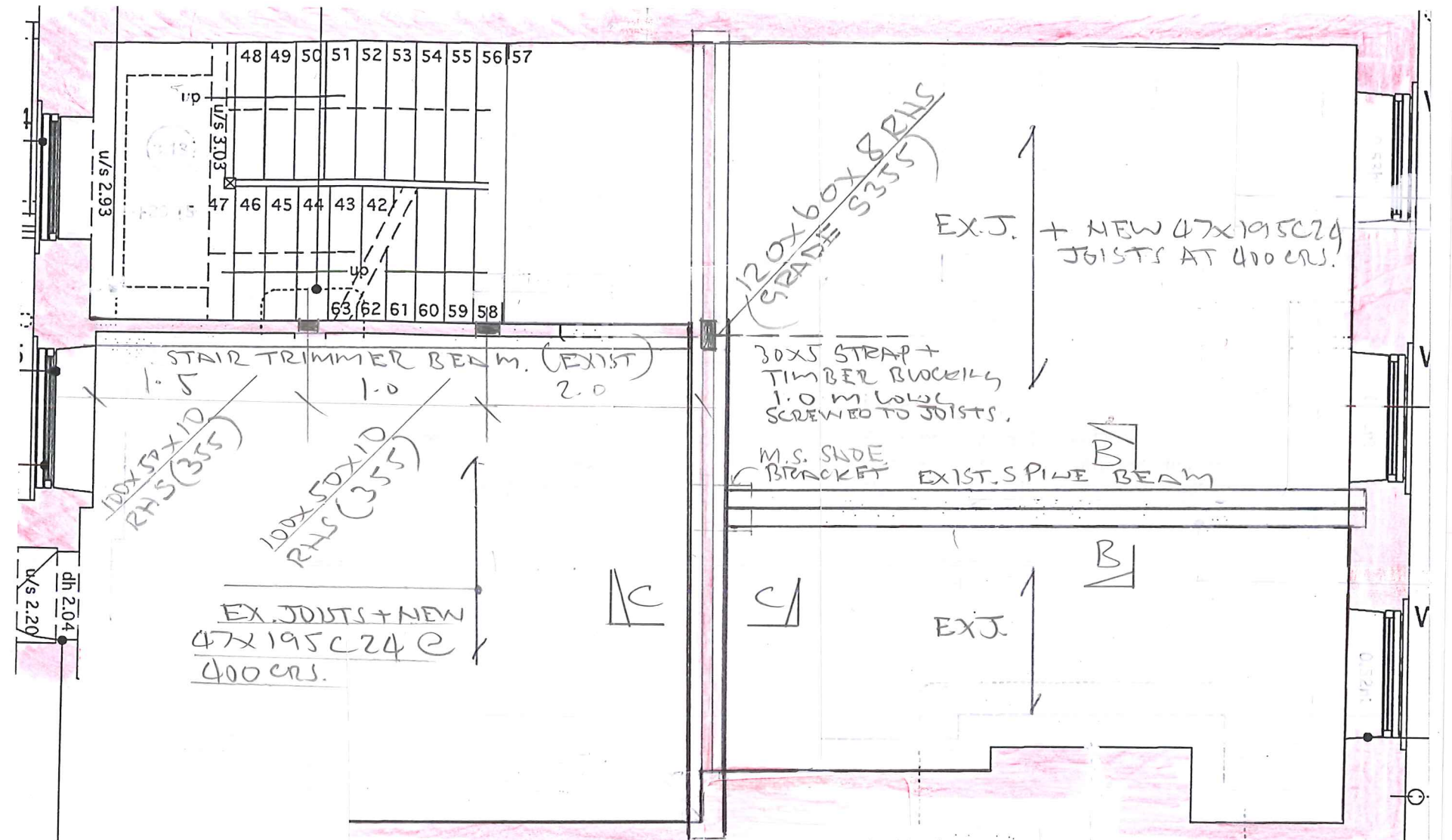
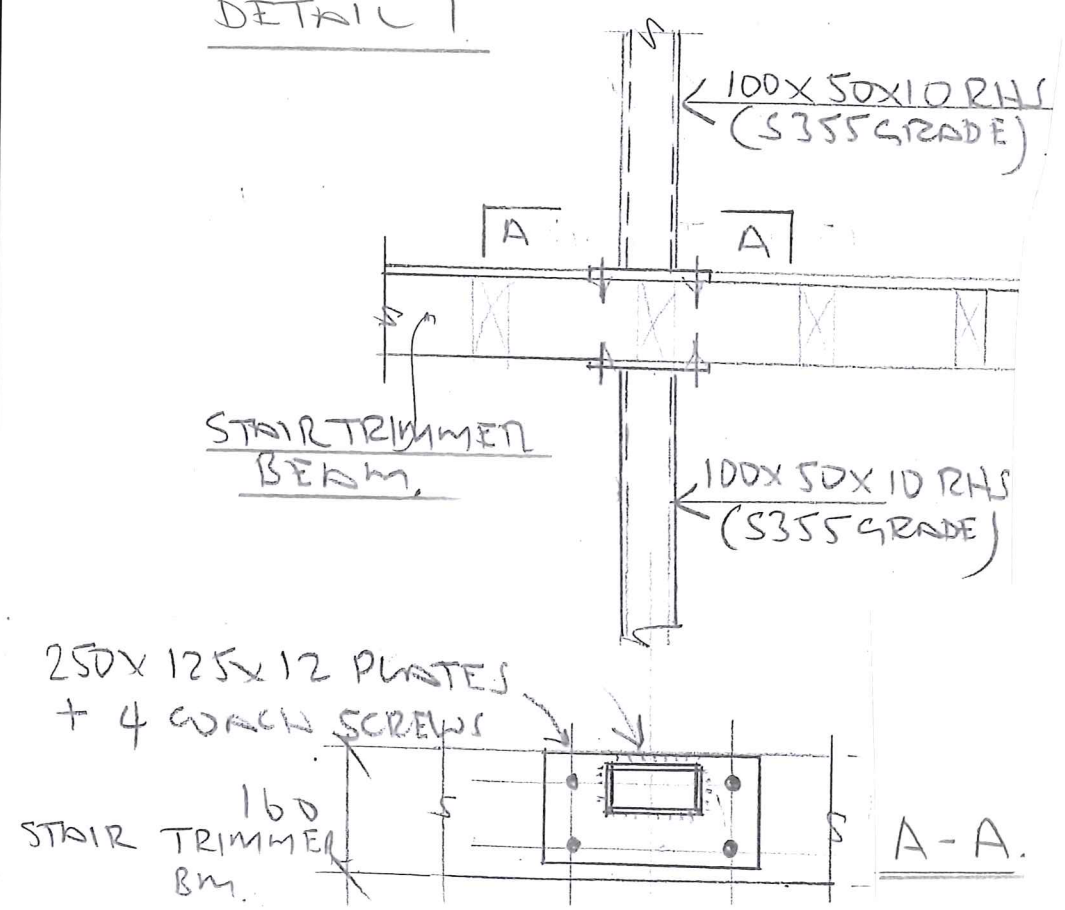


AFP ANDREW FIREBRACE PARTNERSHIP
 STRUCTURAL AND CIVIL ENGINEERING CONSULTANTS
 Stable Barn, Park End, Swaffham Bulbeck, Cambridge CB25 0NA. Tel: 01223 811572 Fax: 01223 812719
 Email: info@afconsult.co.uk

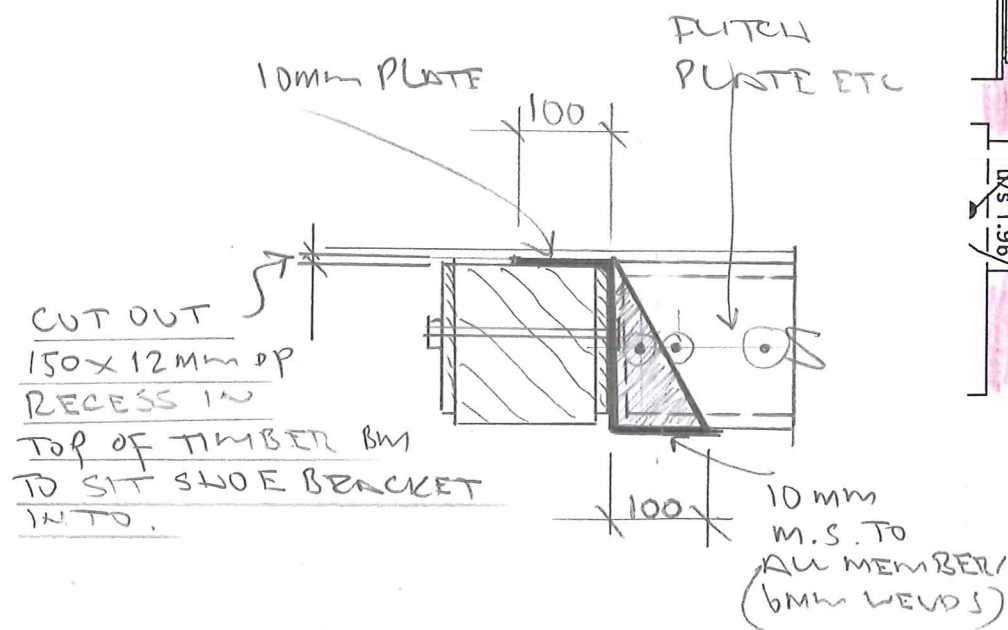
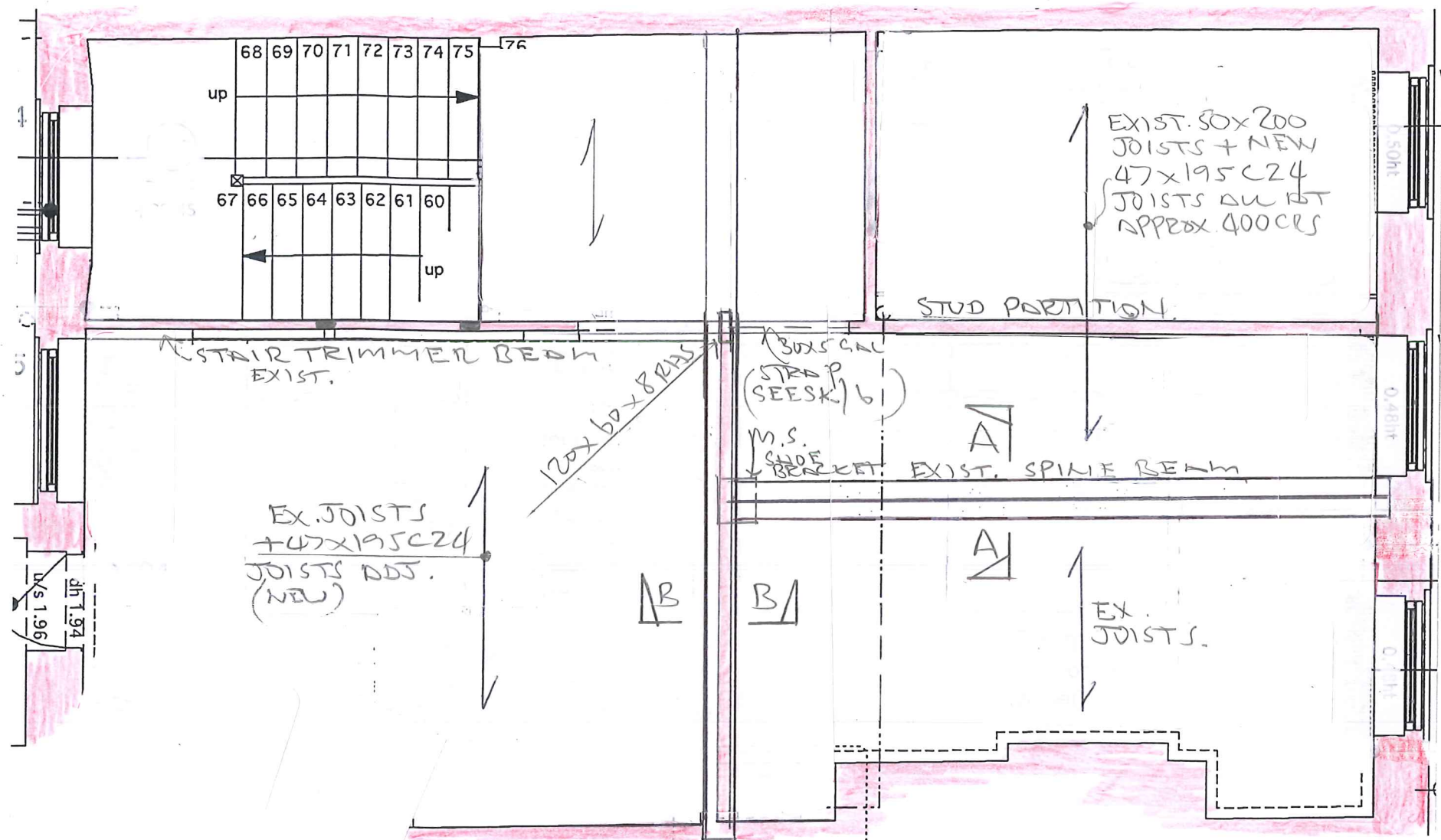
CLIENT			
PROJECT			
31, GT. JAMES STREET, LONDON.			
TITLE			
FIRST FLOOR STRUCTURE			
DRAWN	JRF	CHECKED	
SCALES	H.T.S.	DATE	04/13.
DRG No. 13/80/SK5		REV	



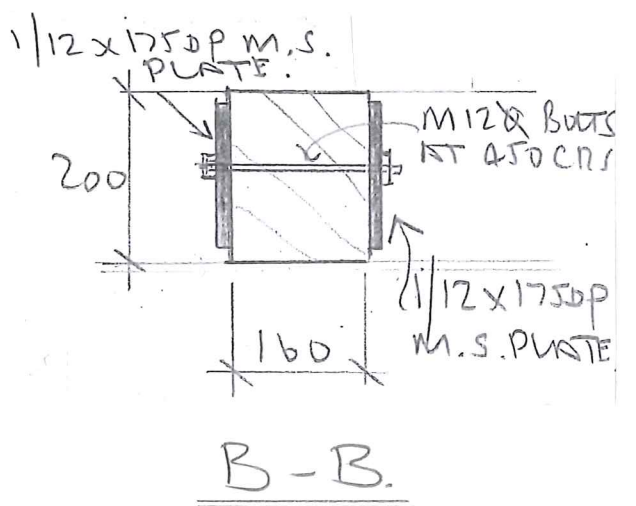
DETAIL 1



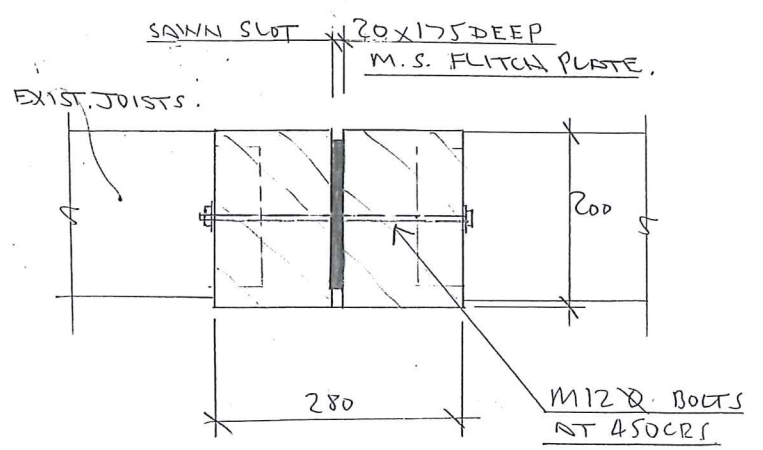
AFP ANDREW FIREBRACE PARTNERSHIP STRUCTURAL AND CIVIL ENGINEERING CONSULTANTS Stable Barn, Park End, Swaffham Bulbeck, Cambridge CB25 0NA. Tel: 01223 811572 Fax: 01223 812719 Email: info@afconsult.co.uk			
CLIENT			
PROJECT 31, ST. JAMES STREET, LONDON.			
TITLE SECOND FLOOR			
DRAWN JRF	CHECKED	DRG No. 13/80/SK6.	REV
SCALES W.T.S.	DATE Oct 13		




SHOE BRACKET
DETAIL (ALL FURS)

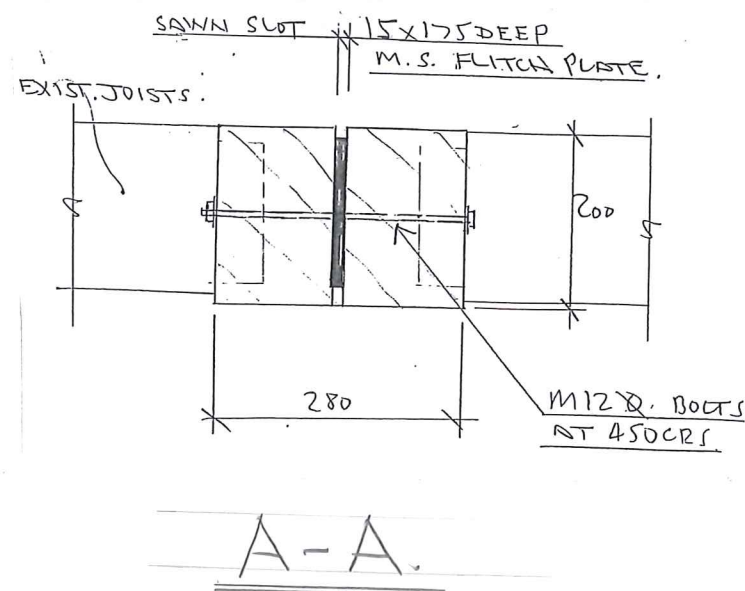
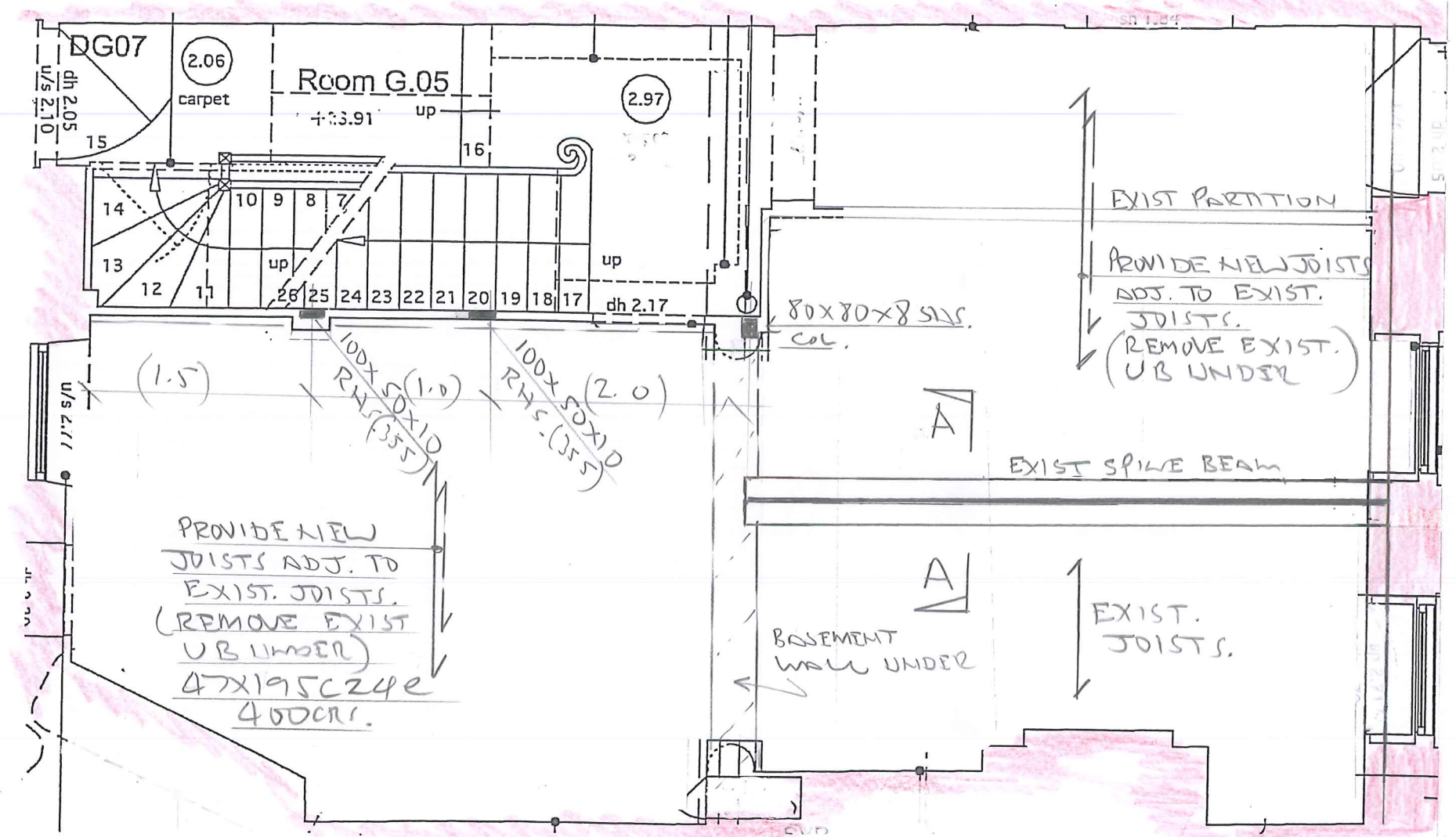
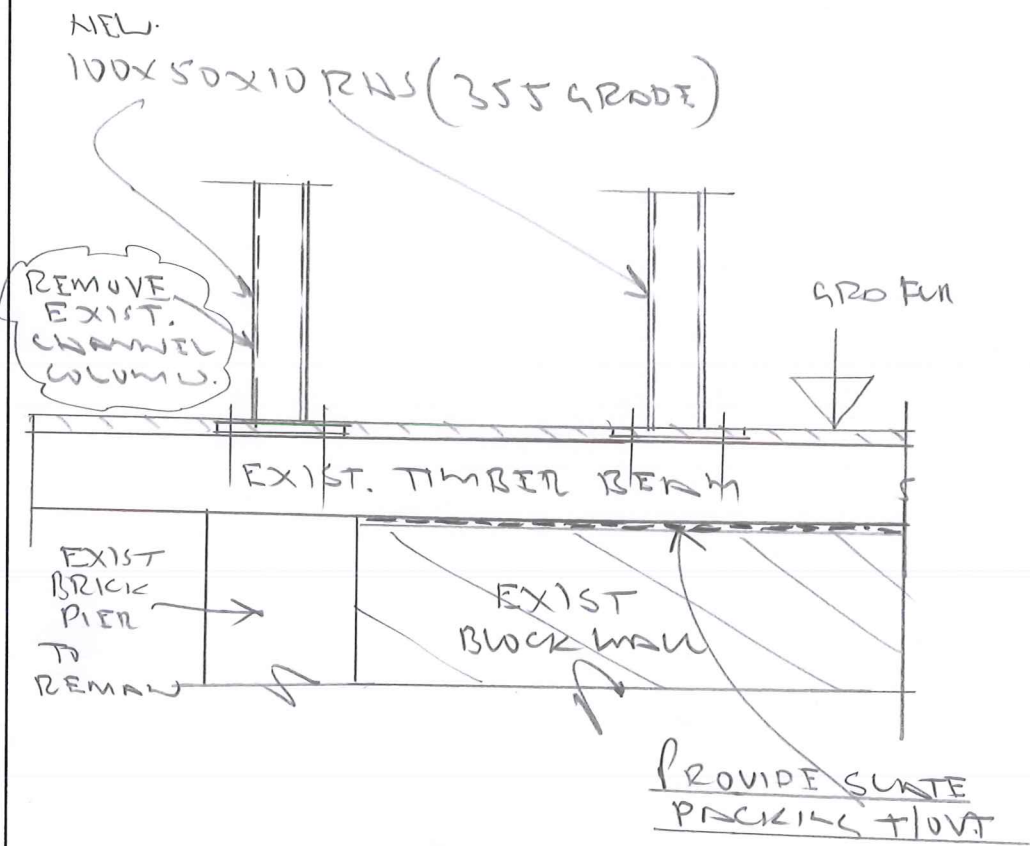


B-B.

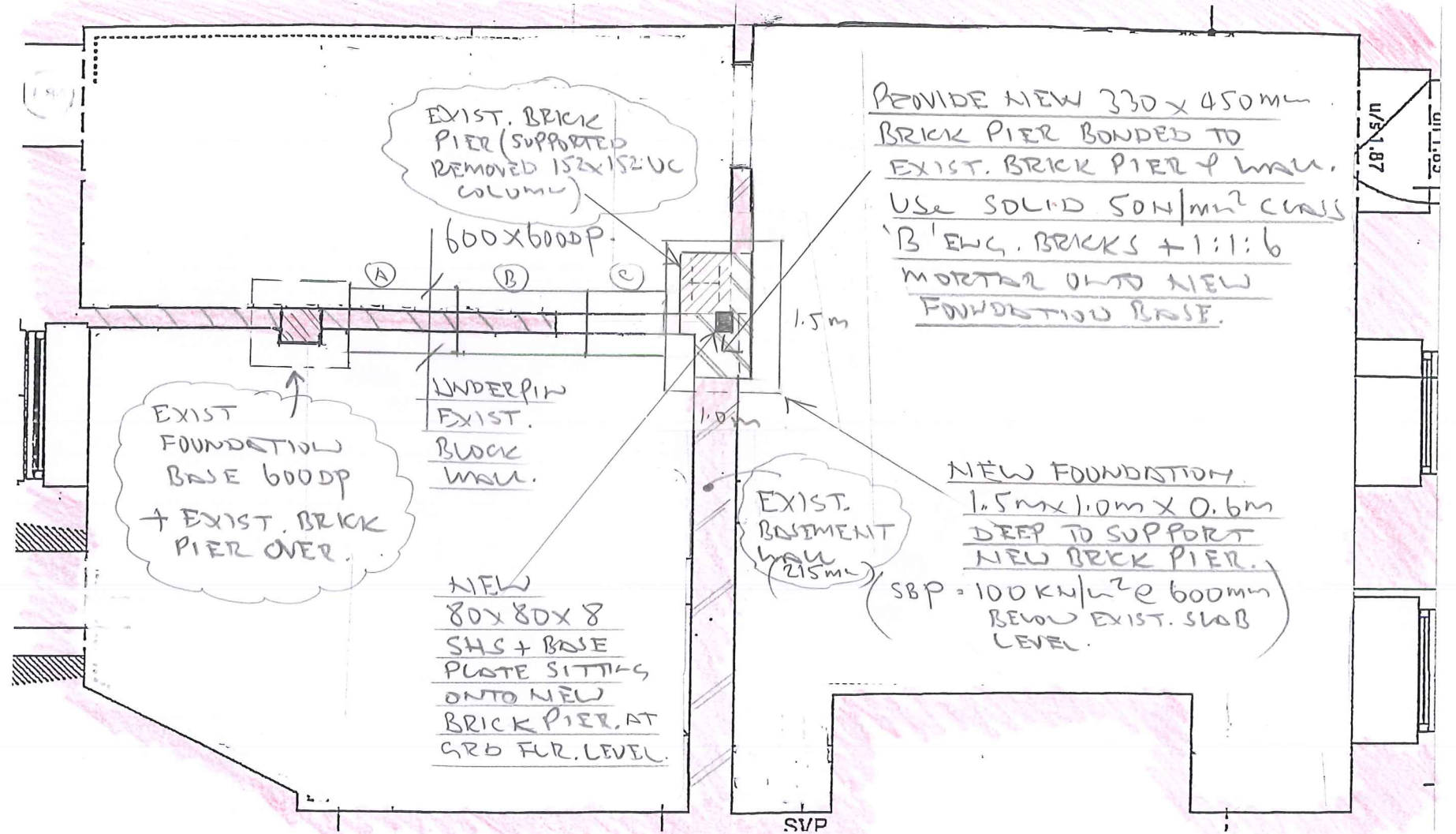


A-A.

 ANDREW FIREBRACE PARTNERSHIP STRUCTURAL AND CIVIL ENGINEERING CONSULTANTS <small>Stable Barn, Park End, Swaffham Bulbeck, Cambridge CB25 0NA. Tel: 01223 811572 Fax: 01223 812719 Email: info@afpcconsult.co.uk</small>			
CLIENT			
PROJECT 31, ST. JAMES STREET, LONDON.			
TITLE THIRD FLOOR.			
DRAWN JRF.	CHECKED	DRG No. 13/80/SK7	REV
SCALES NTS.	DATE Oct 13		

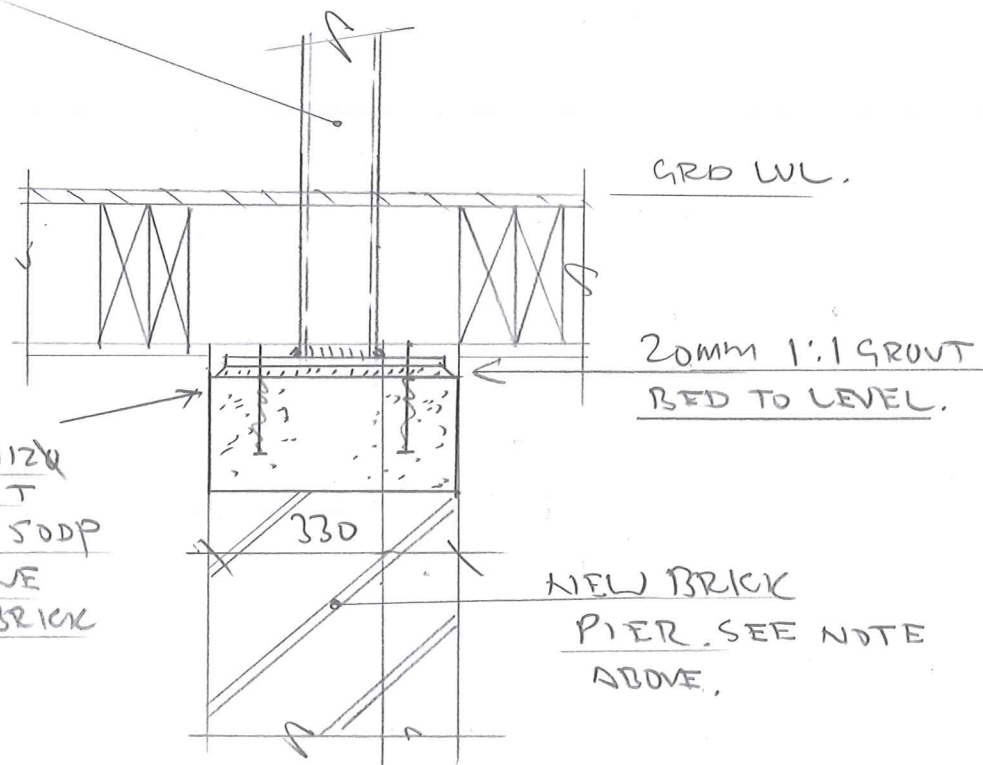


AFP ANDREW FIREBRACE PARTNERSHIP STRUCTURAL AND CIVIL ENGINEERING CONSULTANTS Stable Barn, Park End, Swaffham Bulbeck, Cambridge CB25 0NA. Tel: 01223 811572 Fax: 01223 812719 Email: info@afpconsult.co.uk			
CLIENT			
PROJECT 31, ST. JAMES STREET, LONDON.			
TITLE GROUND FLOOR STRUCTURE			
DRAWN JRF	CHECKED	DRG No. 13/80/SK 8.	REV
SCALES NTS,	DATE Oct-13		



80x80x8 SHS COLUMN.

250x250x12mm
BASE PLATE + 4/M12x
RESIN ANCHORS CAST
INTO 330x450x150DP
CONCRETE PADSTONE
ONTO NEW 50N BRICK
PIER.



TYPICAL DETAIL

AFP ANDREW FIREBRACE PARTNERSHIP
STRUCTURAL AND CIVIL ENGINEERING CONSULTANTS
Stable Barn, Park End, Swaffham Bulbeck, Cambridge CB25 0NA. Tel: 01223 811572 Fax: 01223 812719
Email: info@afconsult.co.uk

CLIENT			
PROJECT 31, ST. JAMES STREET, LONDON.			
TITLE BASEMENT / FOUNDATIONS.			
DRAWN JRF	CHECKED	DRG No. 13/80/SK9	REV
SCALES N.T.S.	DATE 04/13		