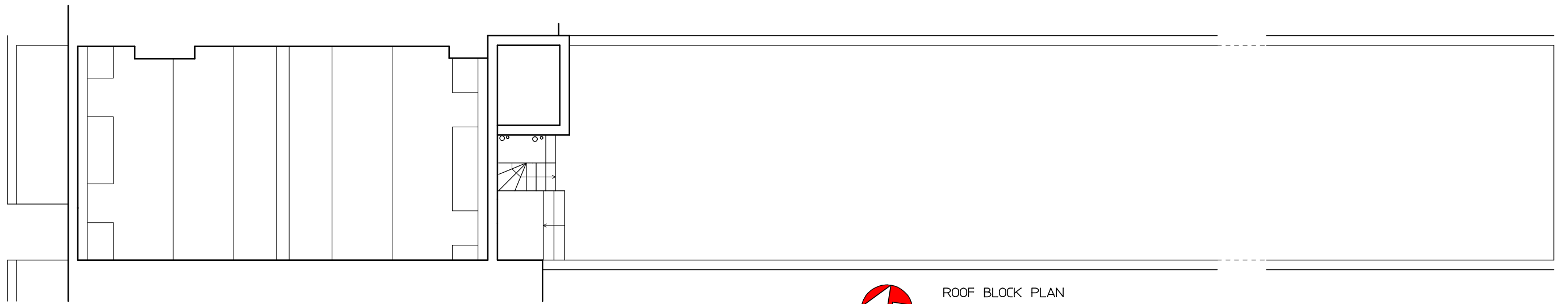
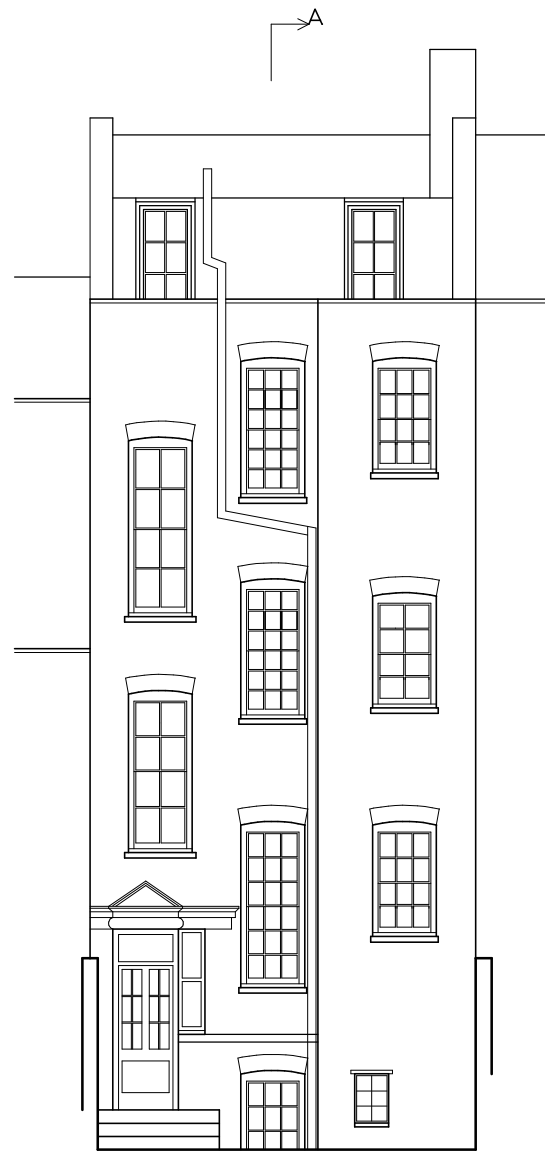


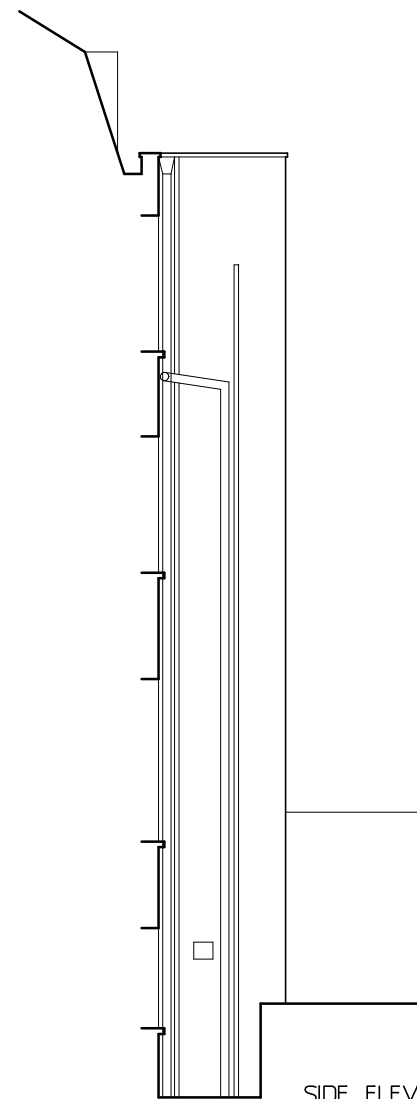
C H U R C H R O W



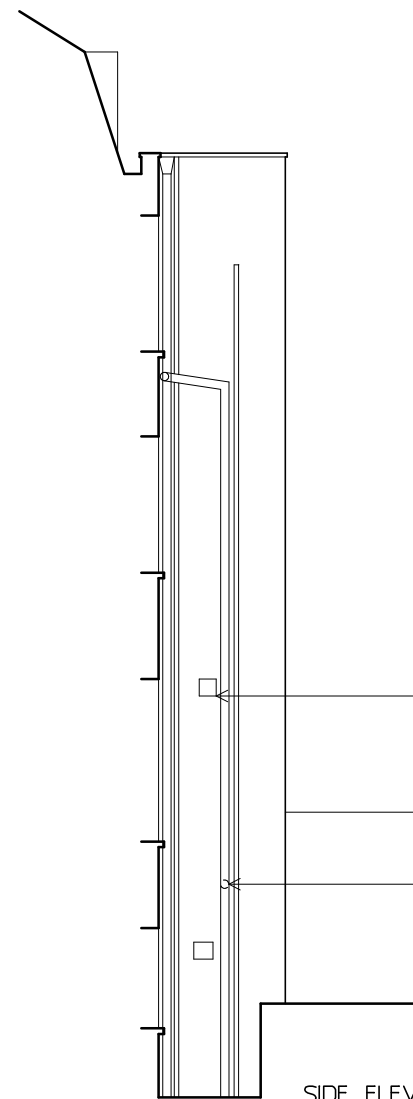
ROOF BLOCK PLAN



REAR ELEVATION  
no changes proposed



SIDE ELEVATION, SECTION AA  
AS EXISTS



SIDE ELEVATION, SECTION AA  
AS PROPOSED



PROJECT 20 CHURCH ROW, NW3 6UP

DRAWING BLOCK PLAN, REAR ELEVATION  
AS EXISTS & AS PROPOSED

NUMBER 1663/02 Rev

Scale 1/100 42 Colebrooke Row  
London N1 8AF

Date 01.14 tel 020-7226 3884  
copyright protected fax 020-7226 9220

PETER BRADES ARCHITECTS  
www.peterbradesarchitects.co.uk

**PBA**