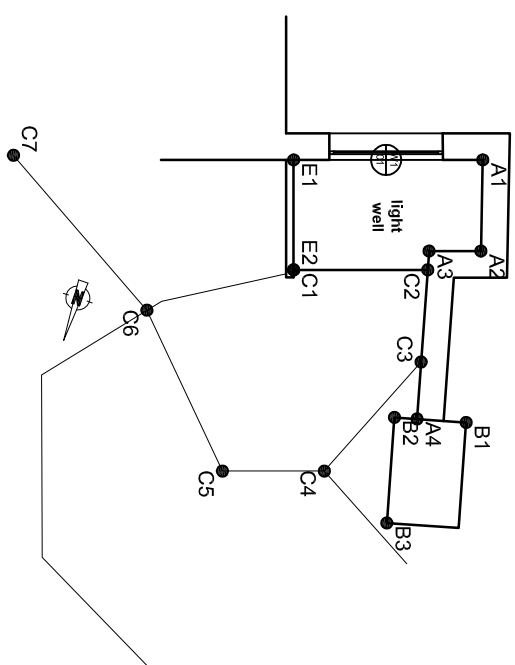
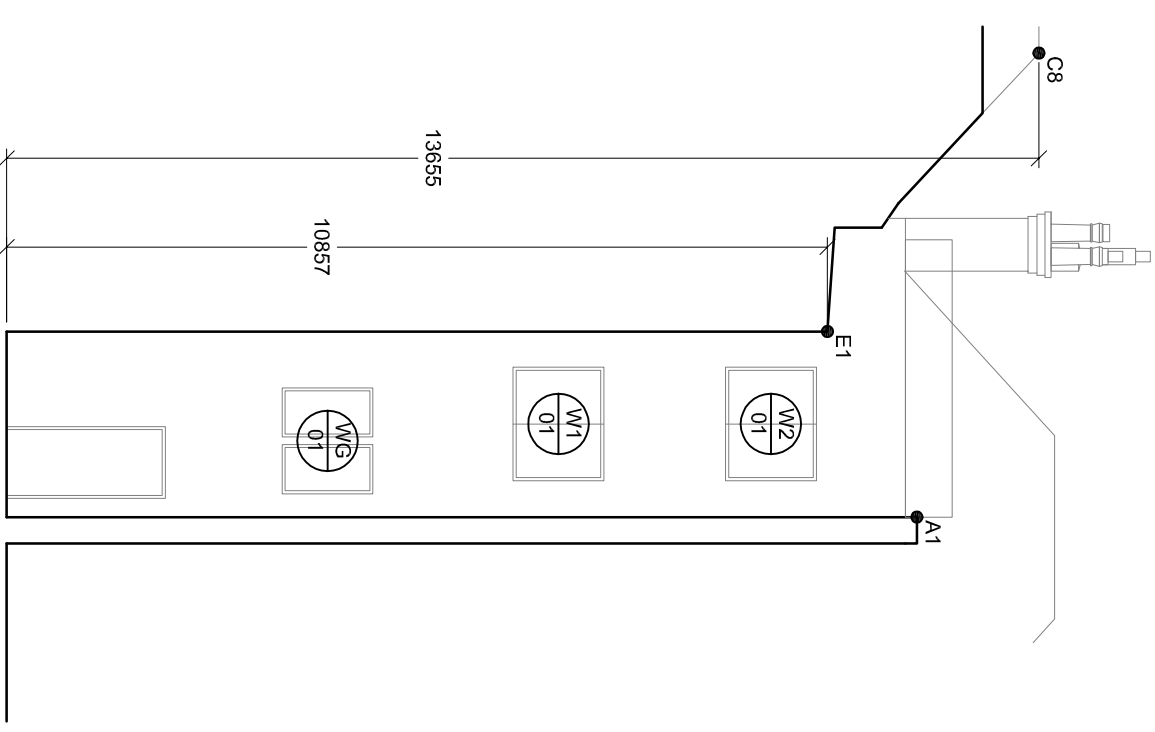


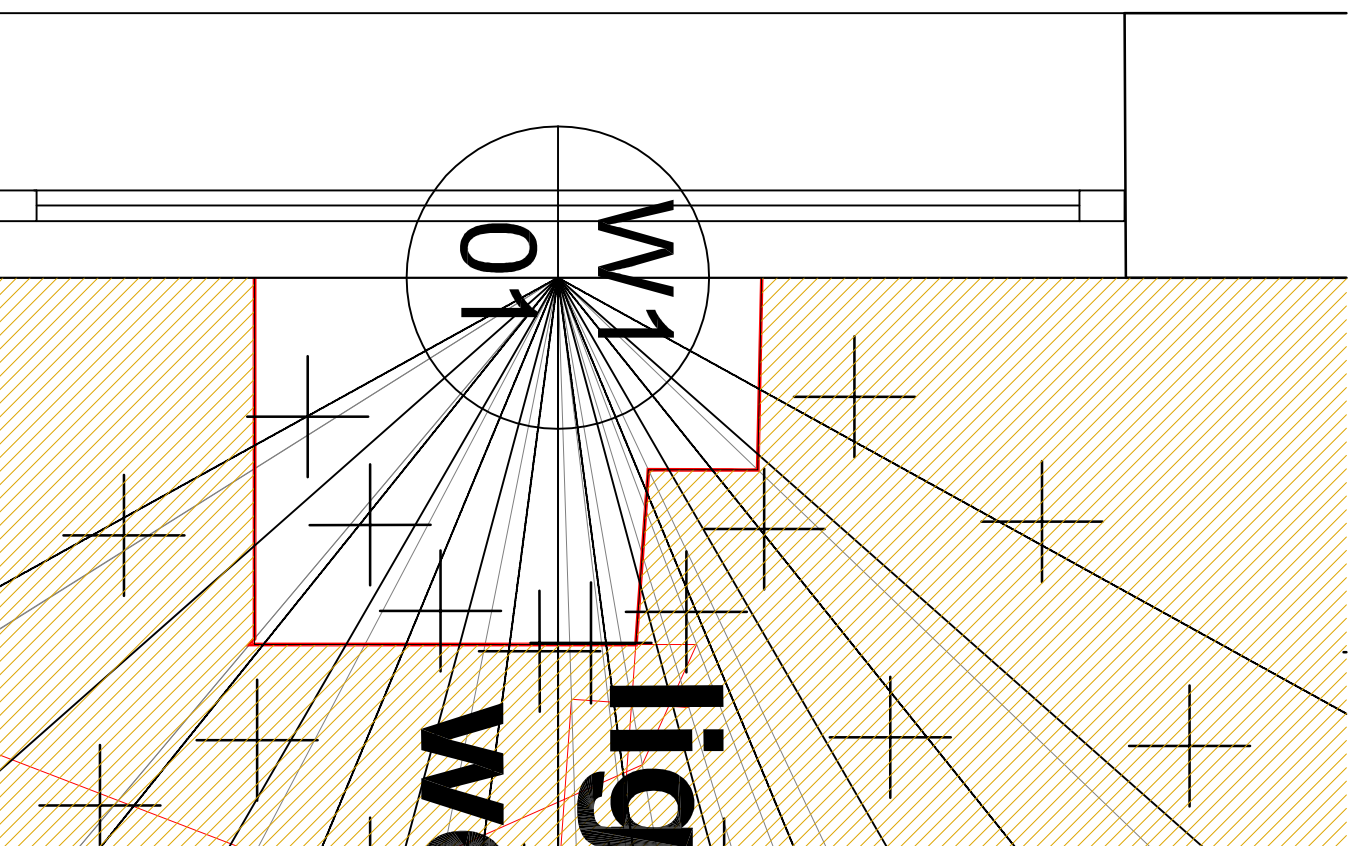
ROOF PLAN REF POINTS EXISTING 1:100



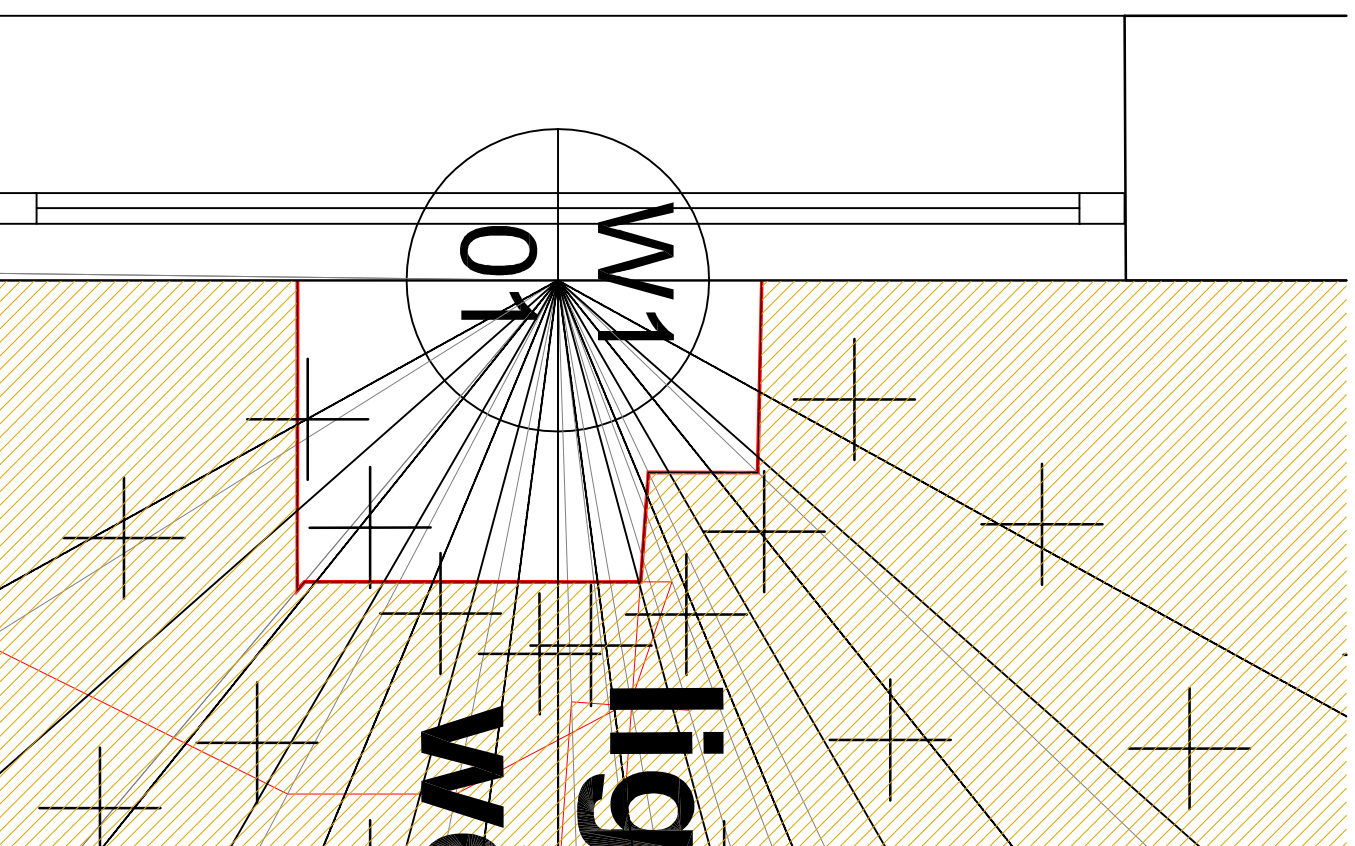
ROOF PLAN REF POINTS PROPOSED 1:100



SECTION EAST-WEST PROPOSED 1:100



SKYLIGHT INDICATOR EXISTING 1:10

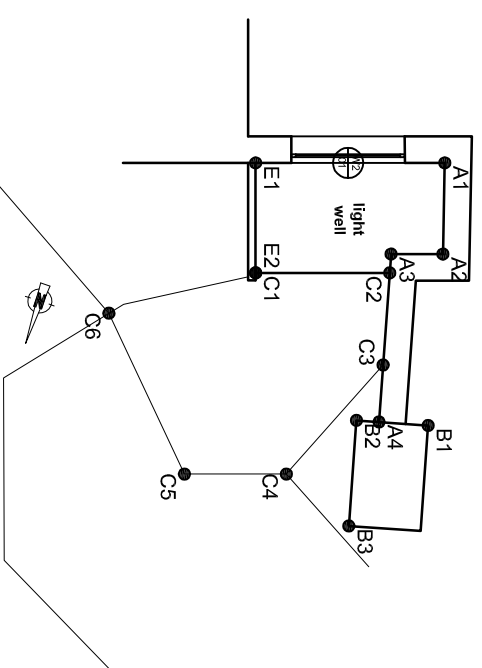
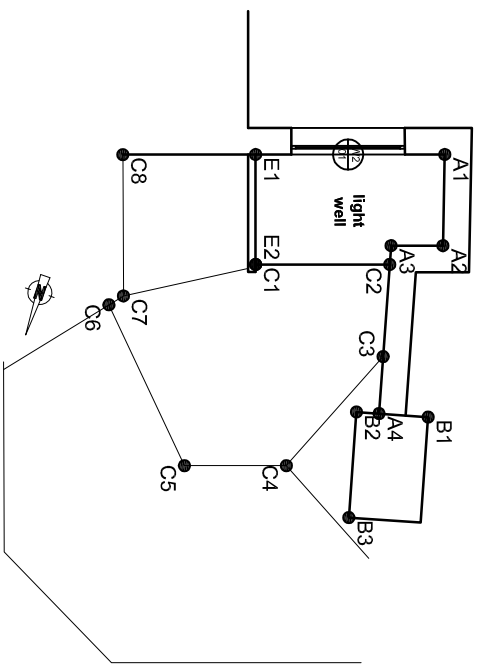


SKYLIGHT INDICATOR PROPOSED 1:10

VSC EXISTING = 2.5%
VSC PROPOSED = 1.25%

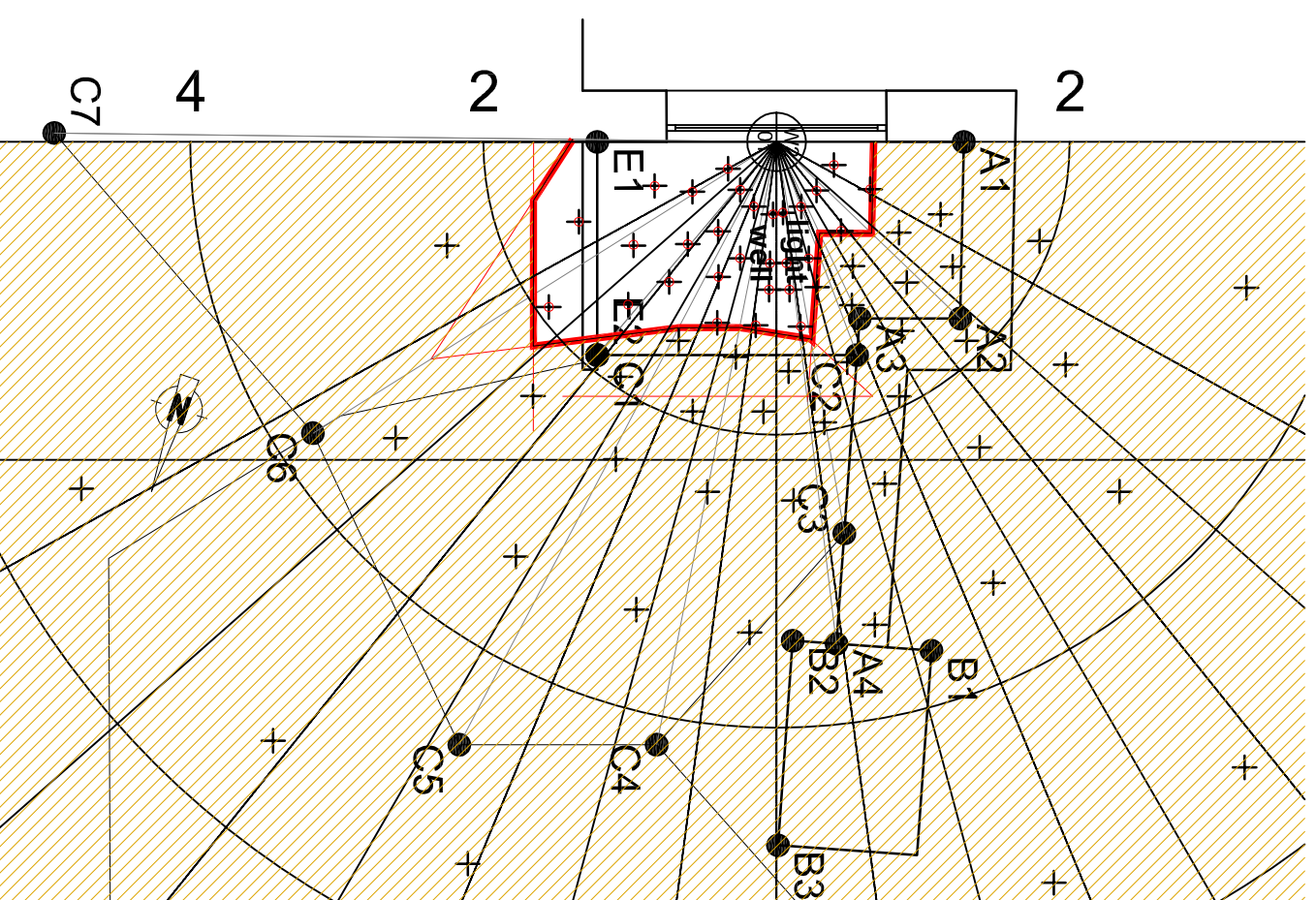
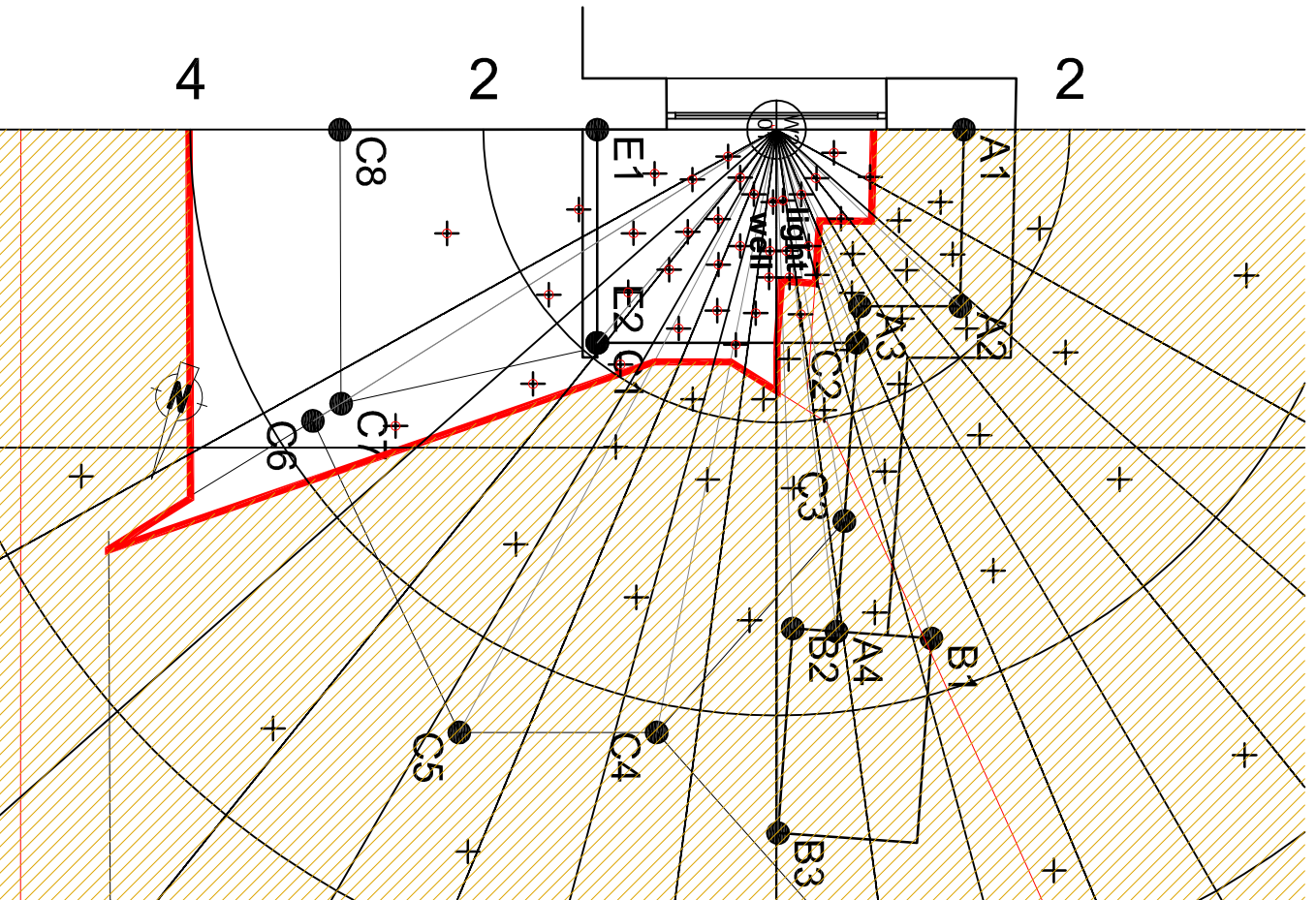
JG
JIM GARLAND ARCHITECTS LTD
ONE DOLPHIN QUAY
EMSWORTH PO10 7BU
01243 370502
01243 378127
email: info@garland.org.uk

Client	Mr G Edwards		
200 Title	Whitestone House, London NW3 1EA		
Drawing Title	Skylight Indicator - Window W1/01		
Scale	Various	Drawn	JAG
Drawing Number	1401/W1-01	Revision	P1
		Sheet Size	A3



ROOF PLAN REF POINTS EXISTING 1:100

ROOF PLAN REF POINTS PROPOSED 1:100



SKYLIGHT INDICATOR EXISTING 1:50

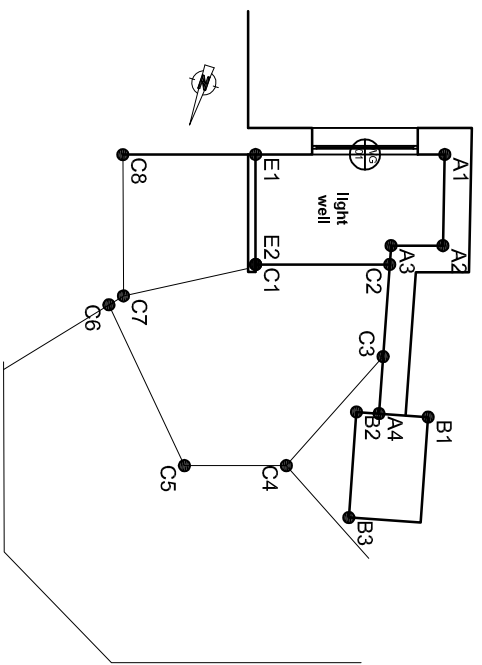
SKYLIGHT INDICATOR PROPOSED 1:50

VSC EXISTING = 17.5%
 VSC PROPOSED = 14.75%

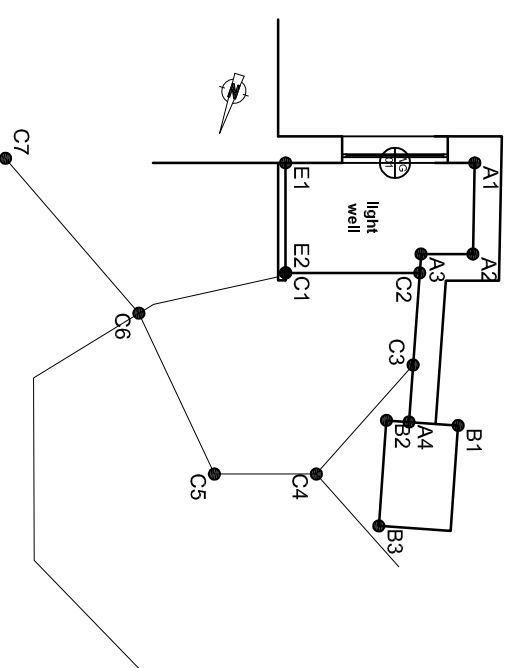
JG

JIM GARLAND ARCHITECTS LTD
 ONE DOLPHIN QUAY
 EMSWORTH PO10 7BU
 01243 370502
 01243 378127
 email: info@garland.org.uk

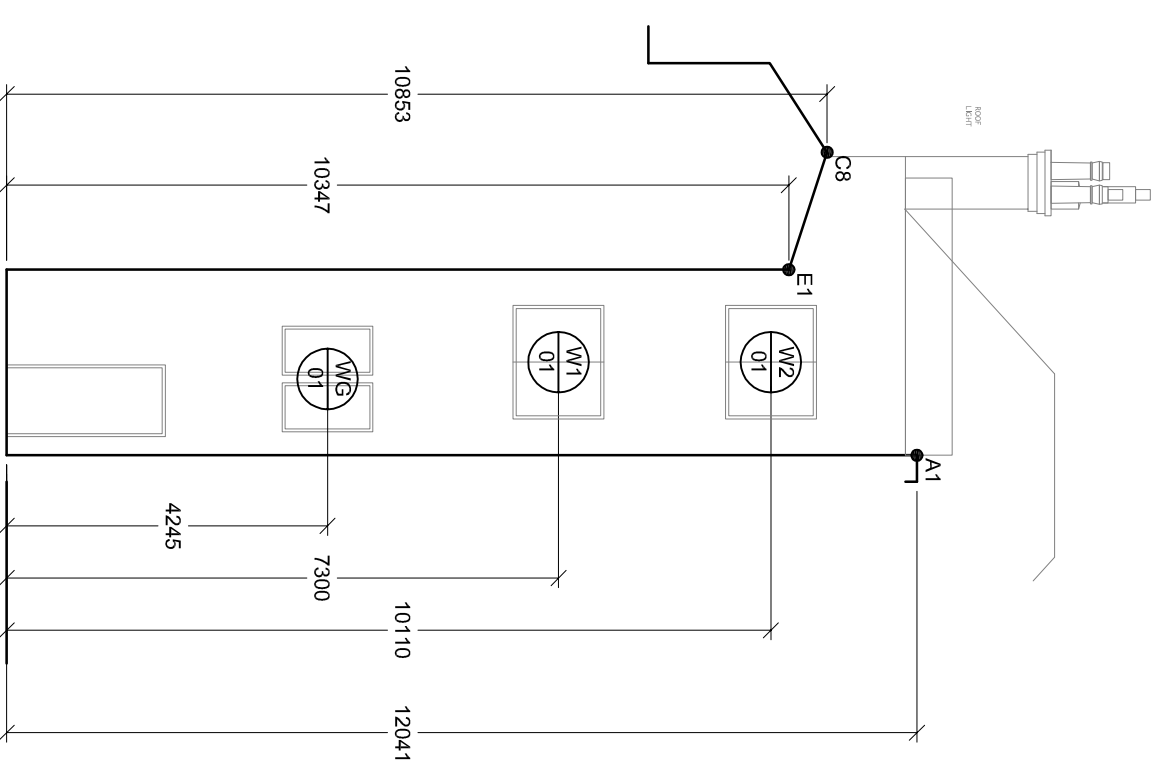
Client	Mr G Edwards		
200 7th	Whitestone House, London NW3 1EA		
Drawing Title	Skylight Indicator - Window W2/01		
Scale	Date	Drawn	Checked
Various	28/02/14	JAG	-
Drawing Number	Revision	Sheet Size	
1401/W2-01	P1	A3	



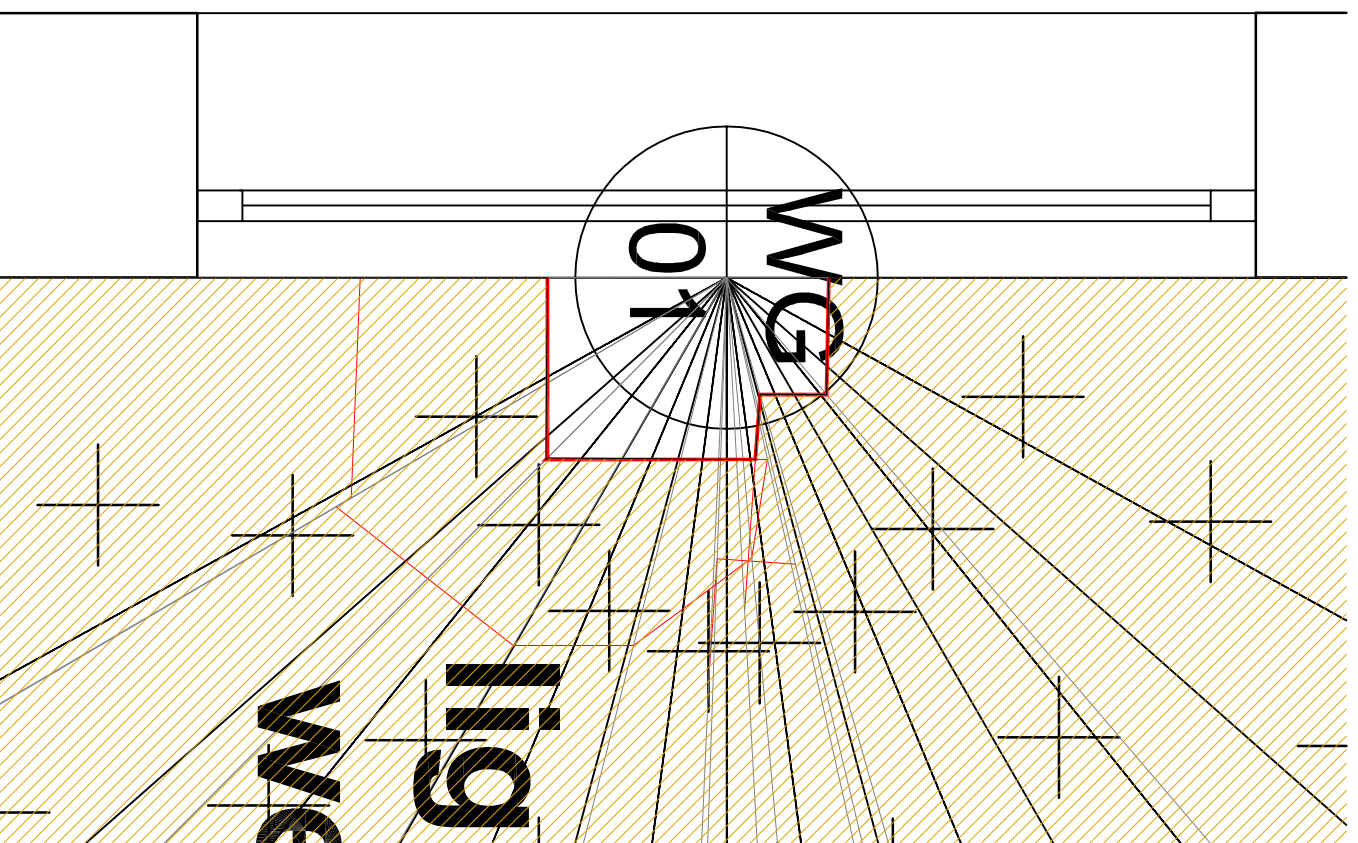
ROOF PLAN REF POINTS EXISTING 1:100



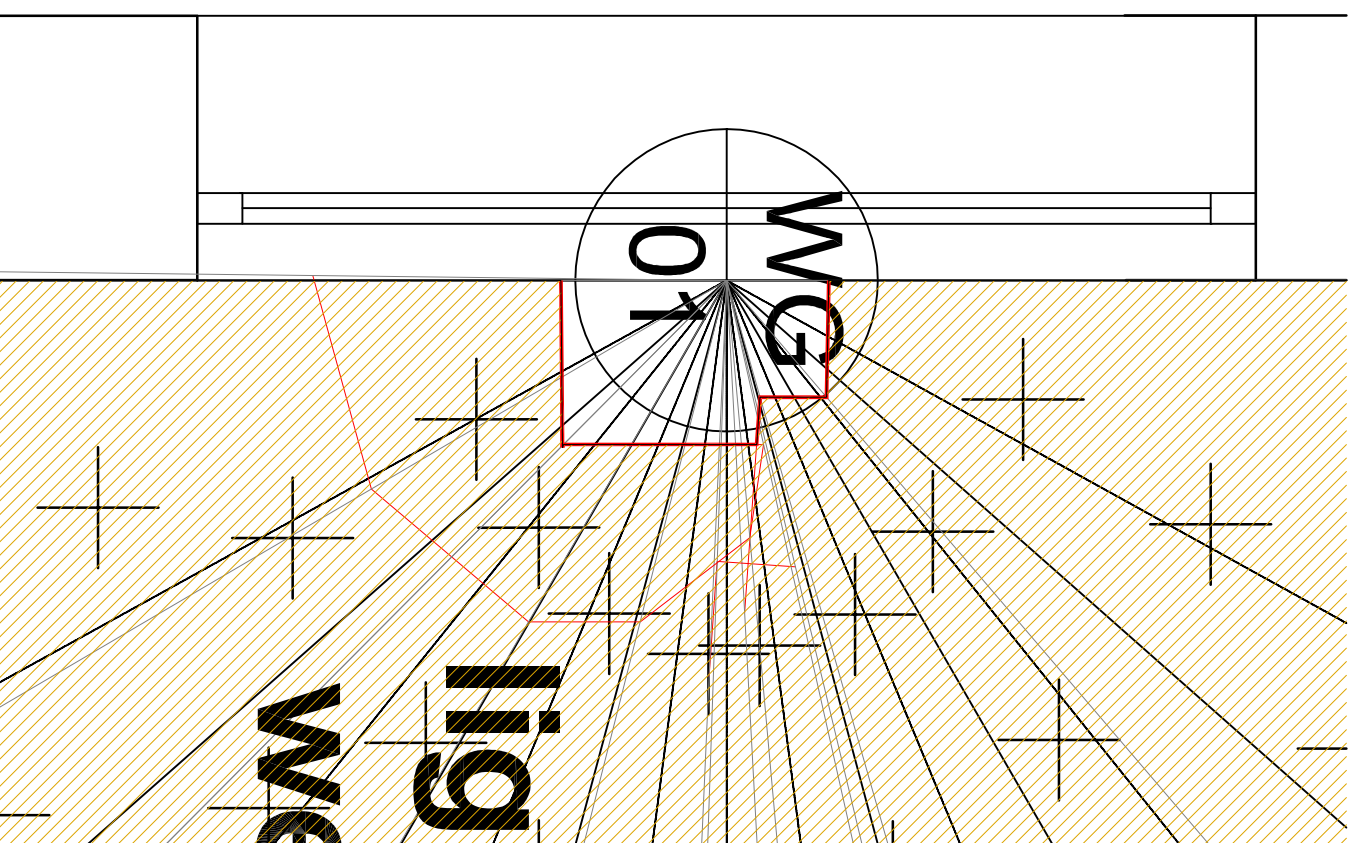
ROOF PLAN REF POINTS PROPOSED 1:100



SECTION EAST-WEST EXISTING 1:100



SKYLIGHT INDICATOR EXISTING 1:10



SKYLIGHT INDICATOR PROPOSED 1:10

VSC EXISTING = 0%
VSC PROPOSED = 0%

JG
JIM GARLAND ARCHITECTS LTD
ONE DOLPHIN QUAY
EMSWORTH PO10 7BU
01243 370502
01243 378127
email: info@garland.org.uk

Client	Mr G Edwards		
Job No	Whitestone House, London NW3 1EA		
Drawing Title	Skylight Indicator - Window WG/01		
Scale	Various	Drawn	JAG
Created	28/02/14	Checked	-
Drawing Number	1401/WG-01	Revision	P1
Sheet Size	A3		