

# MUB 062 630D4-A2 IE2

Item no. 33545

Version: 4-pol 50Hz 90° airflow

Document type: **Product card**

Document date: **2014-02-14**

Generated by: **Systemair Online Catalogue**

## Description

- High efficient motor IE2
- Speed-controllable via frequency converter
- Integral cold conductor (PTC)
- Low sound level
- Flexible airflow direction due to removable panels
- Installation in any mounting position
- Easy to maintain and reliable

The MUB fans size 630D4-A2 are equipped with high efficient IE2 motors. The MUB fans have an impeller with backward curved blades, manufactured from aluminum. Speed control is only possible by using a frequency converter. Motor protection is done by cold conductors (PTC), which have to be connected to an external motor protection device. The casing consists of an aluminum frame with fiberglass reinforced plastic corners of PA6; highly shock-resistant. The double skin panels are manufactured from galvanized steel with 20 mm mineral wool insulation. To avoid condensation the profile is provided with a separate chamber to fix screws. The Multibox fans are delivered for straight through airflow but can easily be rebuilt due to removable panels. This allows flexible ventilation solutions. The MUB can also be used as extract- or supply air unit in air handling units. Installation in any mounting position is possible.

MUB with additional modules (filters, heaters etc.) are available as air handling units "K025, K042 or K062" on request!



**Please note: Speed control by voltage, i.e. voltage transformers, is not possible!**

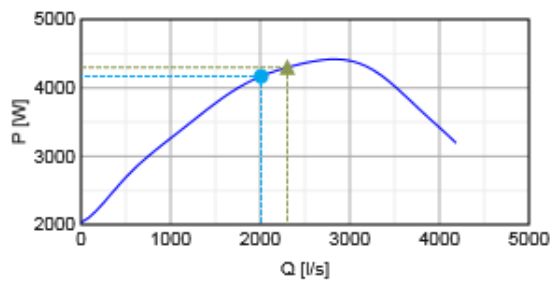
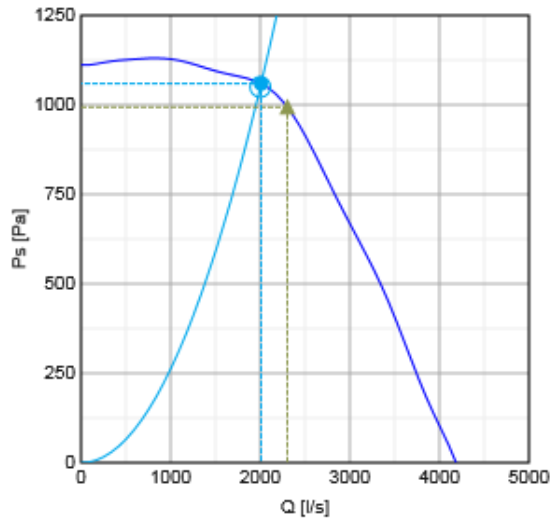
In accordance with Commission Regulation (EC) no 640/2009 of the European Parliament - eco-design requirements for electric motors - the new international efficiency classes are binding as of 16 June 2011. These guidelines defined by CEMEP and EPACT are regarded as international standard for energy-saving high-efficiency motors for frequencies of 50 or 60 Hz and make the use of IE2 motors mandatory. With this new and more efficient technology we offer our customers many advantages such as environmentally friendly operation, reduced energy consumption and hence lower emissions. IE2 motors have a higher efficiency even in part load operation and allow optimum adjustment to the operating point. In addition, the IE2 motors generate less noise and develop less heat, which has a positive influence on the efficiency and the cooling requirement of the motor. Please note: IE2 motors cannot be speed controlled by voltage, i.e. voltage transformers.

## Technical parameters

Voltage	400	V
Connection	D	
Frequency	50	Hz
Phase	3	~
Power (P1)	4411	W
Current	8.12	A
Starting current	60.9	A
Max. airflow	4186	l/s
Fan impeller speed	1450	r.p.m.
Max. temperature of transported air	40	°C
Sound pressure level at 3 m	68	dB(A)
Weight	114	kg
Insulation class, motor	F	
Enclosure class, motor	55	IP

## Performance

## Diagrams



#### Hydraulic data

	Required point		Working point						
	Q [l/s]	Ps [Pa]	Q [l/s]	Ps [Pa]	P [W]	n [r.p.m.]	I [A]	SFP [kW/m³/s]	U [V]
Max efficiency			▲ 2302	▲ 994	▲ 4299	1462	7.56	1.87	400
User	○ 2000	○ 1050	● 2009	● 1060	● 4168	1464	7.35	2.07	400

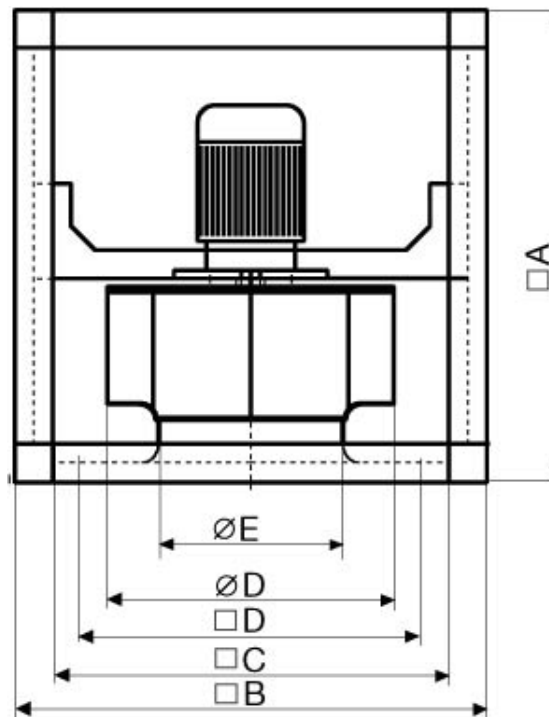
#### Acoustics

630D4	Hz	Tot	63	125	250	500	1k	2k	4k	8k
LwA Inlet	dB(A)	86	73	75	79	81	80	77	72	65
LwA Outlet	dB(A)	88	75	77	81	83	82	79	74	67
LwA Surrounding	dB(A)	75	62	64	68	70	59	66	61	54

Measuring point:  $qv = 2,3 \text{ m}^3/\text{s}$ ,  $Ps = 994 \text{ Pa}$

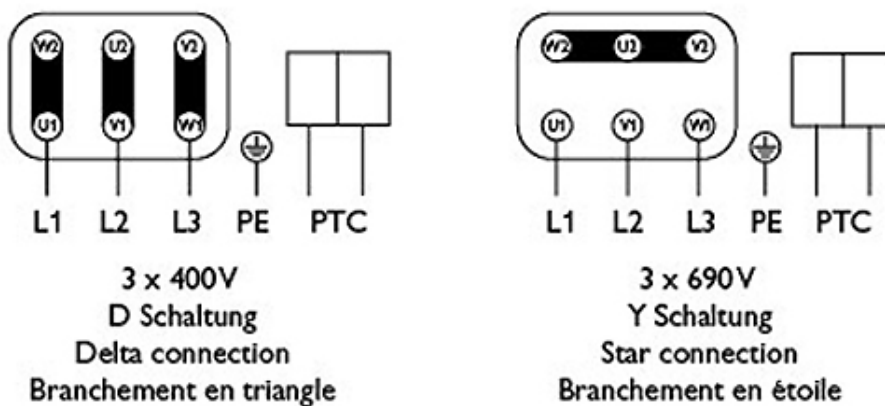
#### Dimensions

	□A	□B	□C	□D	∅D	∅E
MUB062 630	800	800	720	678	635	407



## Wiring

### Dreiphasenmotor mit Kaltleiter Three phase motor with cold conductor Moteur triphasé avec résistance PTC



**Drehrichtungsänderung durch Vertauschen von 2 Phasen**  
**Changing of direction of rotation by interchanging of two phases**  
**Changement de sens de rotation par inversion de deux phases**

**Typenschild beachten! See label! Voir plaque!**

Please note: 400V Y-connection for starting is possible!

## Accessories

### Electric accessories


- FRQ-10A V2 (36228)
- FRQ5-10A+LED V2 (36230)
- FRQ5S-10A+LED V2 (36234)
- FRQS-10A V2 (36232)
- FXDM14AM Frequency inv. IP54 (31389)
- REV-5POL/05 incl. EMC KIT (34549)
- REV-5POL/05 ON/OFF (33979)
- U-EK230E EX Motorprotec. (30199)


## Accessories

CCM inlet MUB062 d560 (311782)  
CCM inlet MUB062 d630 (311783)  
CCM outlet MUB062 d560 (311684)  
CCM outlet MUB062 d630 (311681)  
CCMI outlet MUB062 d560 insul. (311563)  
CCMI outlet MUB062 d630 insul. (311564)  
FGV 062/716-716 flex. conn. (4198)  
SDM Service Door MUB 062 comp. (32573)  
SRKG 062/718-718 shutter valve (4870)  
UGS 062/630 adapter flex. (4358)  
WSD 062 (860x860) (300690)  
WSG 062 weather protec. guard (4363)

## Documentation

 [\(EG-Konformitaetserklaerung MUB\\_DE-EN.pdf, 472kB\)](#)

 [\(IMO MUB\\_2013-10\\_311722.pdf, 3MB\)](#)

 [\(Operating and maintenance instructions.pdf, 1MB\)](#)