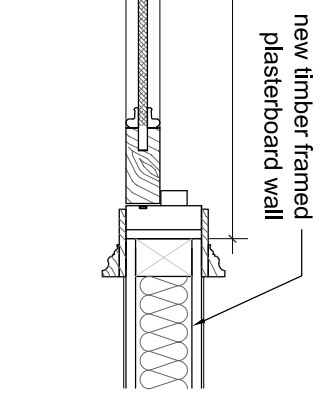
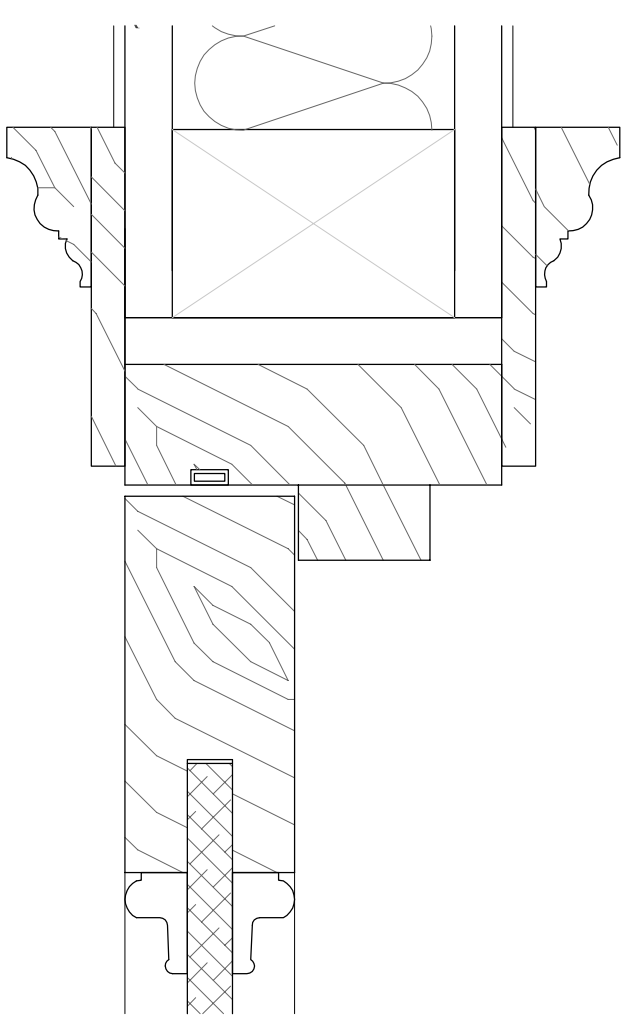


DOOR ELEVATION
 typical new door elevation to new doors



DOOR PLAN



typical architrave detail 1:2
 to match existing



existing architrave from first floor

BROOKS / MURRAY
 ARCHITECTS
 8-10 NEW NORTH PLACE
 LONDON EC2A 4JA
 TEL 020 7739 9955
 FAX 020 7739 9944
 architects@brooksmurray.com

CLIENT:
 Clarke Design and Build
 JOB:
 7 fitzroy square
 & 11 Grafton Mews
 London W1T 5HL
 DATE: 20.11.13
 SCALE: as shown @ A3
 DRAWING TITLE:
 Details in reference to
 condition 5
 DRAWING NUMBER:
 LB 05a 002