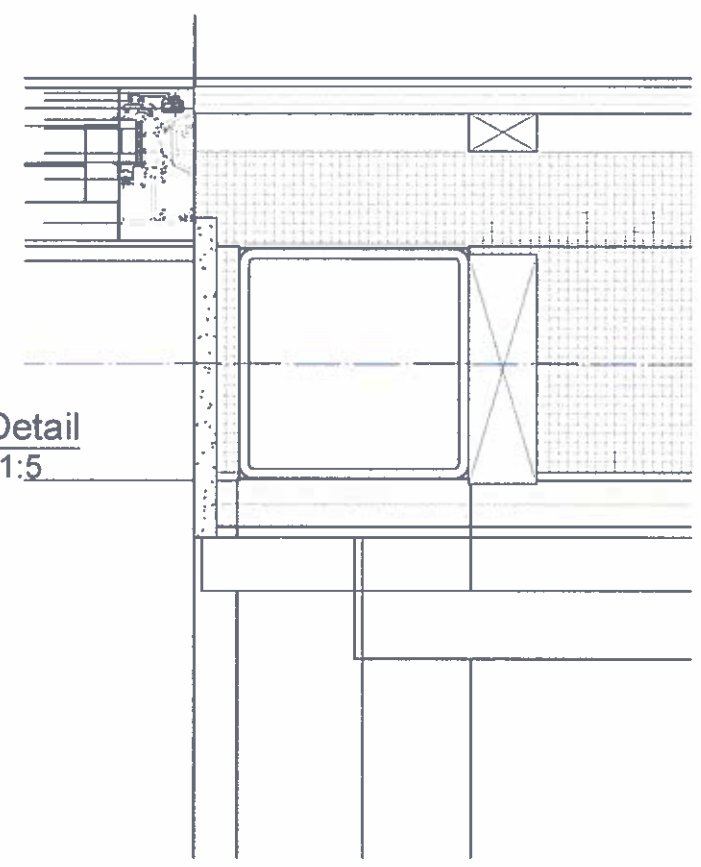
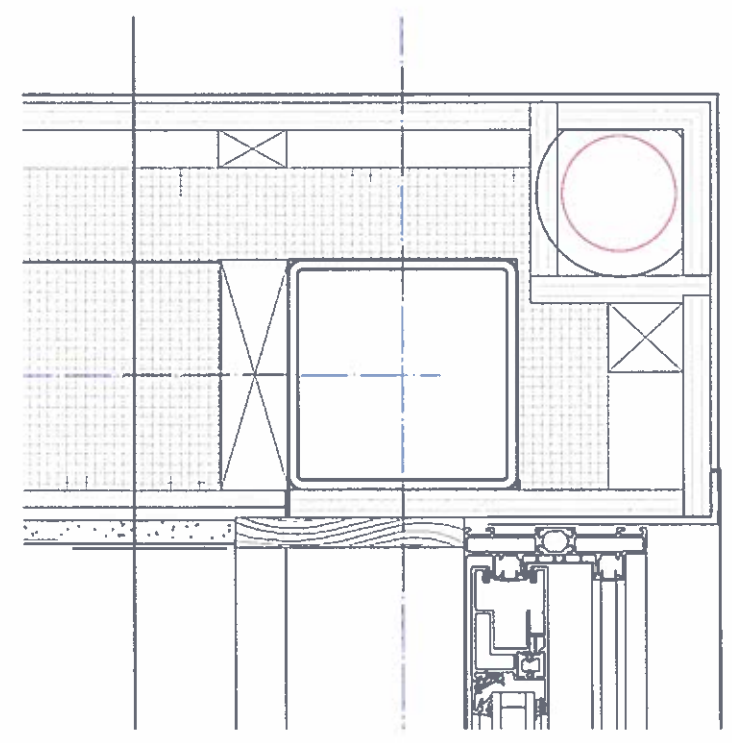


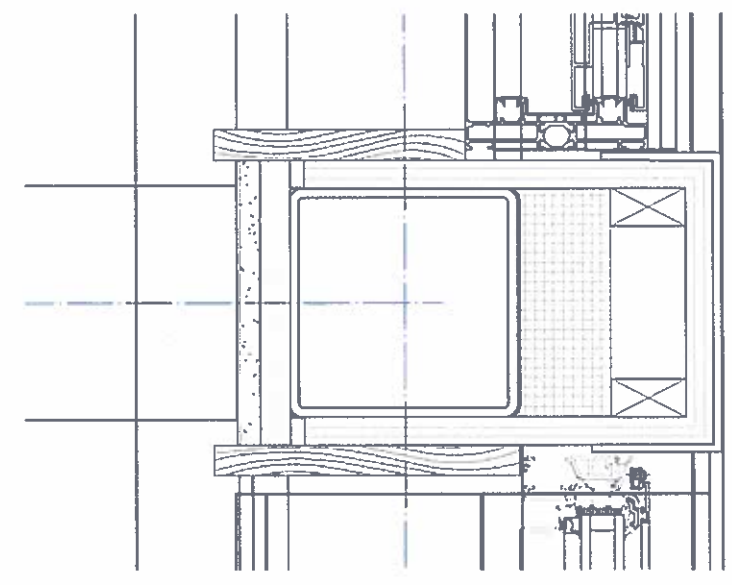
4 Plan Detail  
Scale: 1:5



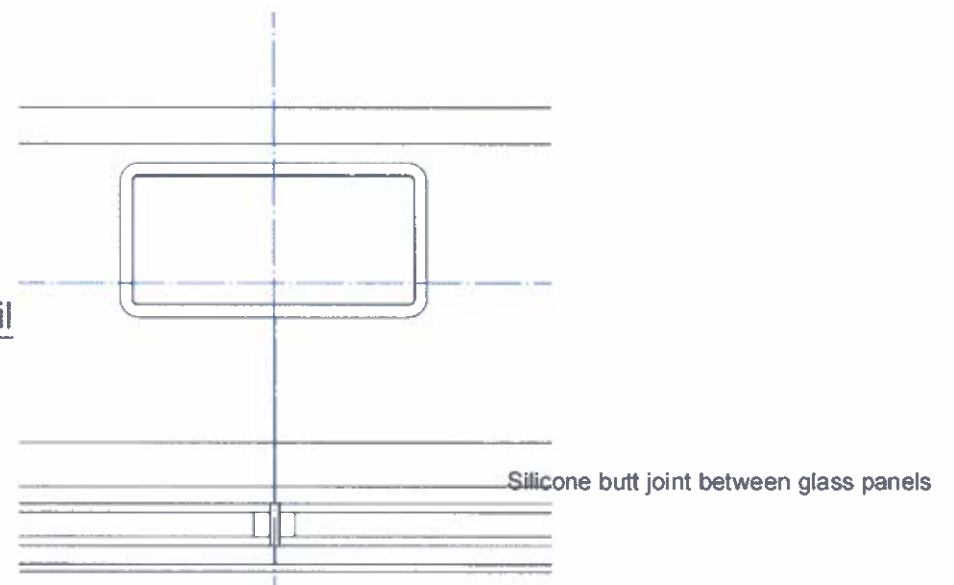
1 Plan Detail  
Scale: 1:5



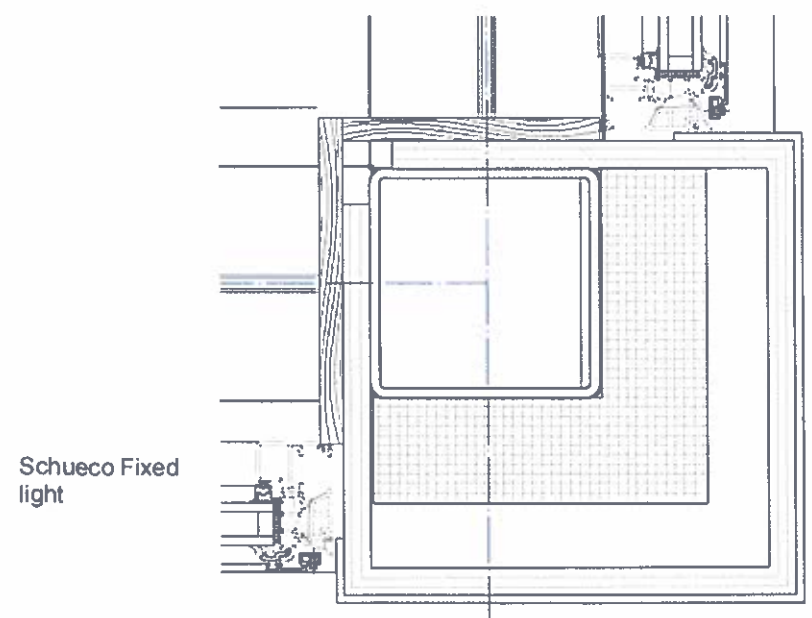
2 Plan Detail  
Scale: 1:5



5 Plan detail  
Scale: 1:5



3 Plan detail  
Scale: 1:5



No.	Date	Appr	Revision Notes
A	3/1/13		Lifetime homes revisions
B	15/5/13		Detail revisions
C	28/1/14		Cladding co-ordination

No.	Date	Issue Notes
-----	------	-------------

Thomson Lavers  
Architects RIBA #

Design Firm Thomson Lavers Architects  
75 Lansdowne Way, London, SW8 2EA  
tel 020 7498 7203  
thomson.lavers@btinternet.com

Consultant

Project Title  
53 Eton Avenue

Sheet Title  
Mezzanine plan details

Project Manager	Project ID	11/080
Drawn By	Scale	1/100
Reviewed By	Sheet No.	A202
Date	Date	of
CAD File Name	BRBC	