

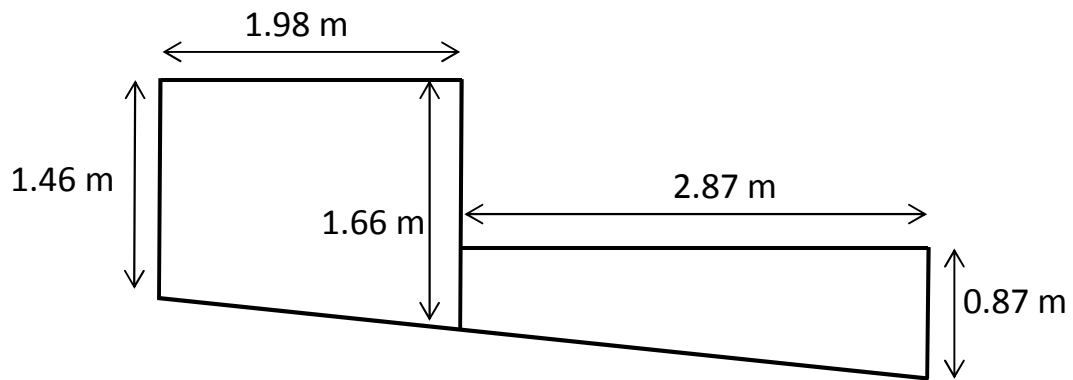
6. Proposed North (rear) Elevation Drawing.

2nd April 2014.

Planning application for the demolition of a building in a conservation area.

Site address: Maycroft, 36 Lady Margaret Road, London, NW5 2QA.

Scale 1:50, paper size: A3



North (rear) elevation - proposed