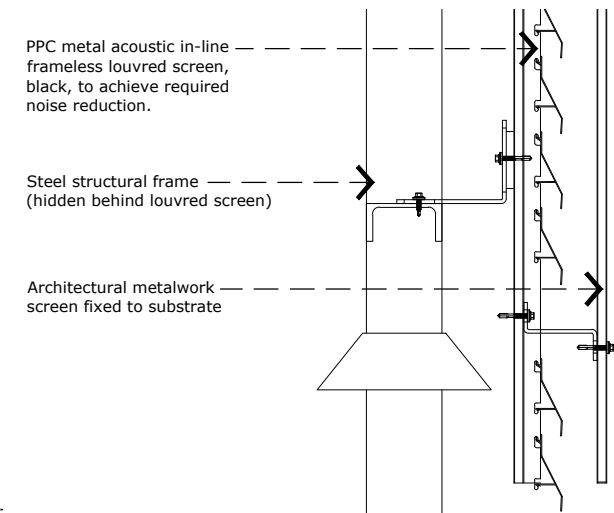


**Detail A**



**Detail B**

**Section A-A**

This drawing is the property of maith design limited and must not be copied, reproduced or disclosed without written permission.

This drawing is based on third party measured survey information and any discrepancies within that information is not the responsibility of Maith Design.

Building survey information is to be confirmed as current and verified by independent Building Surveyor.

previous revisions  
 revision:  
 -- First issue

by: MD date: 12.09.2024

suite 320-323  
 baltic chambers  
 50 wellington street  
 glasgow g2 6hj

0141 348 7700

office@maithdesign.com  
 www.maithdesign.com

**MAITH**  
 DESIGN LTD

project 0100 County Hotel Euston  
 client Splendid Hospitality Group  
 drawing Propsoed Section A-A & Details  
 scale @ A3 1:125  
 dwg number PL(00)612  
 revision -  
 date 12.09.2024  
 status Planning