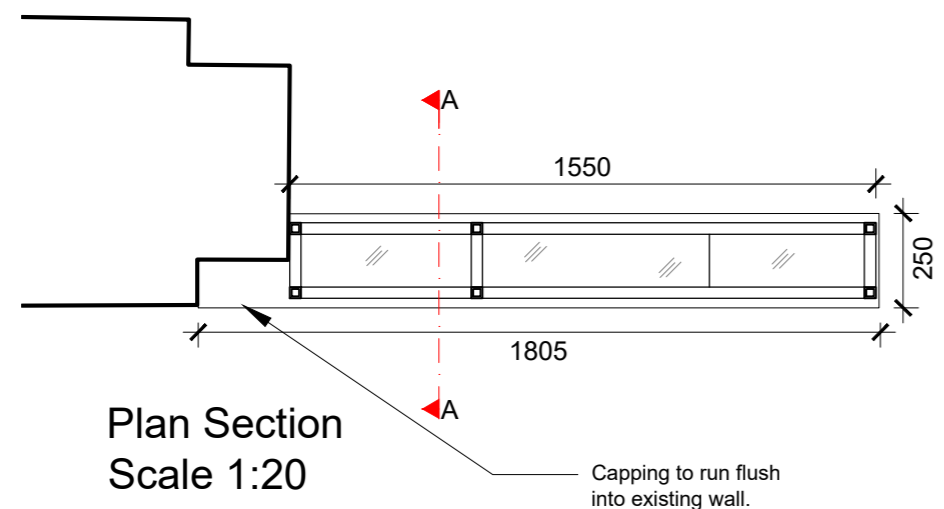
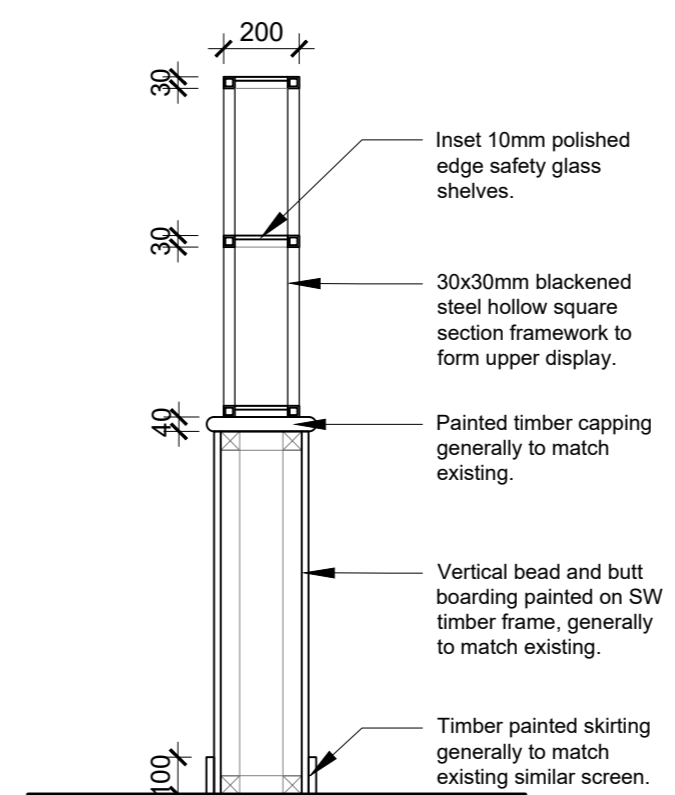
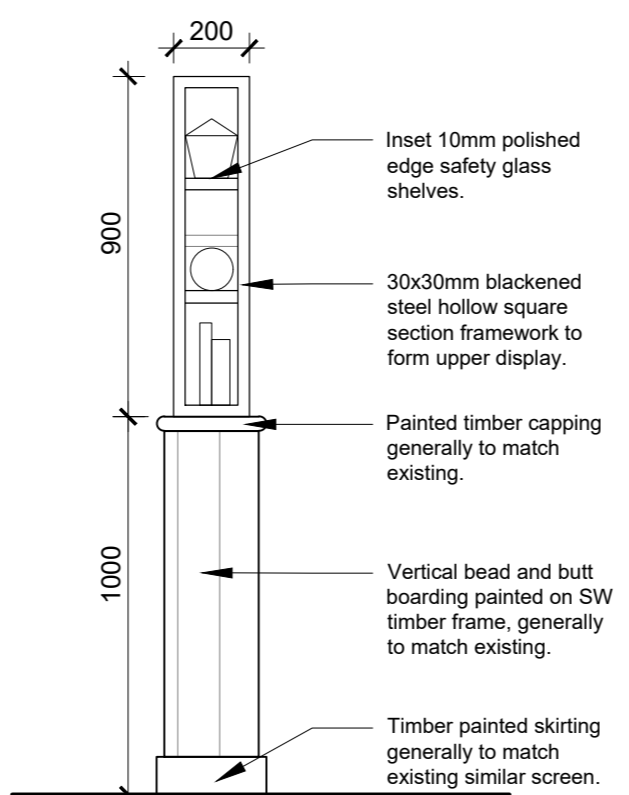
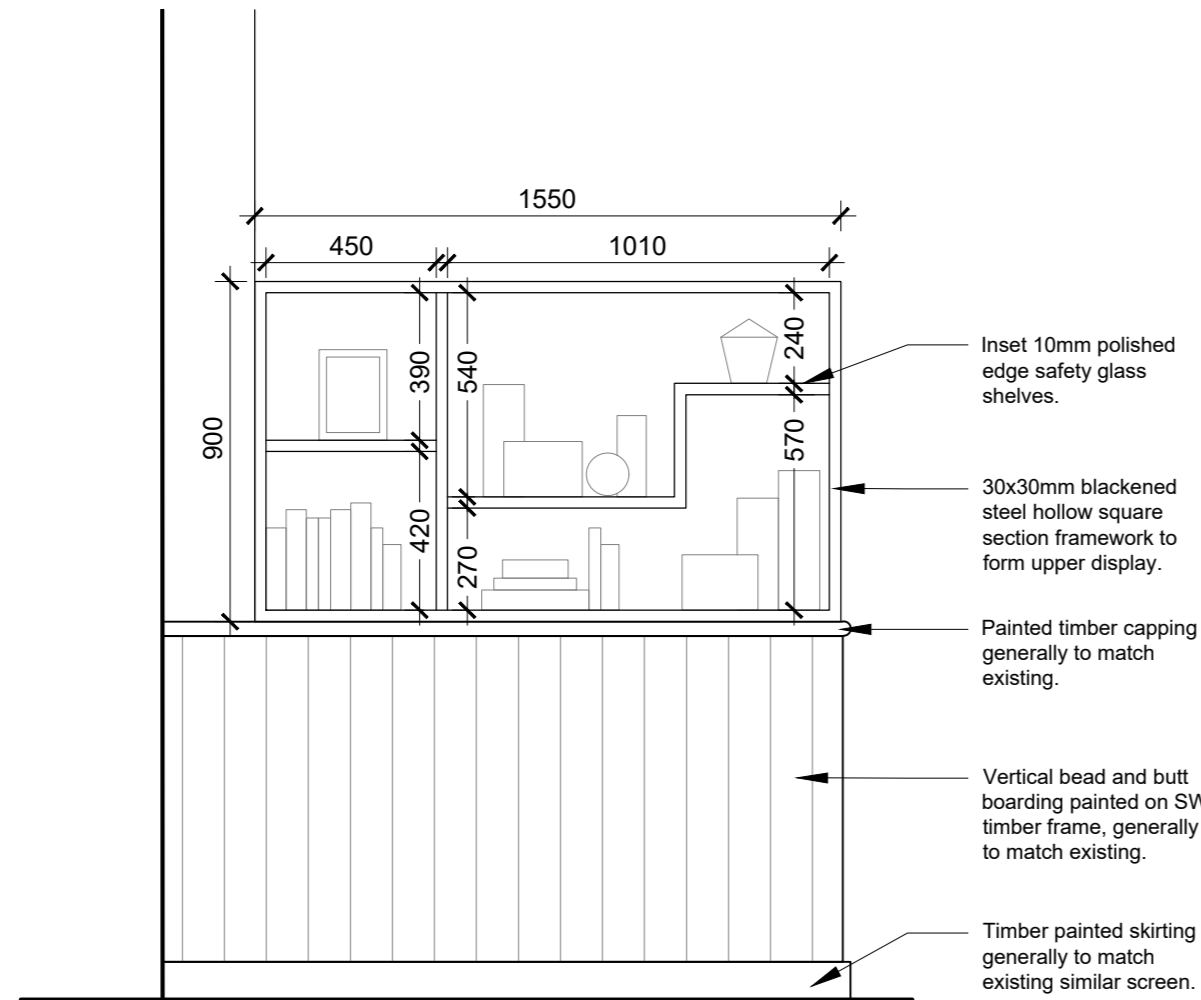
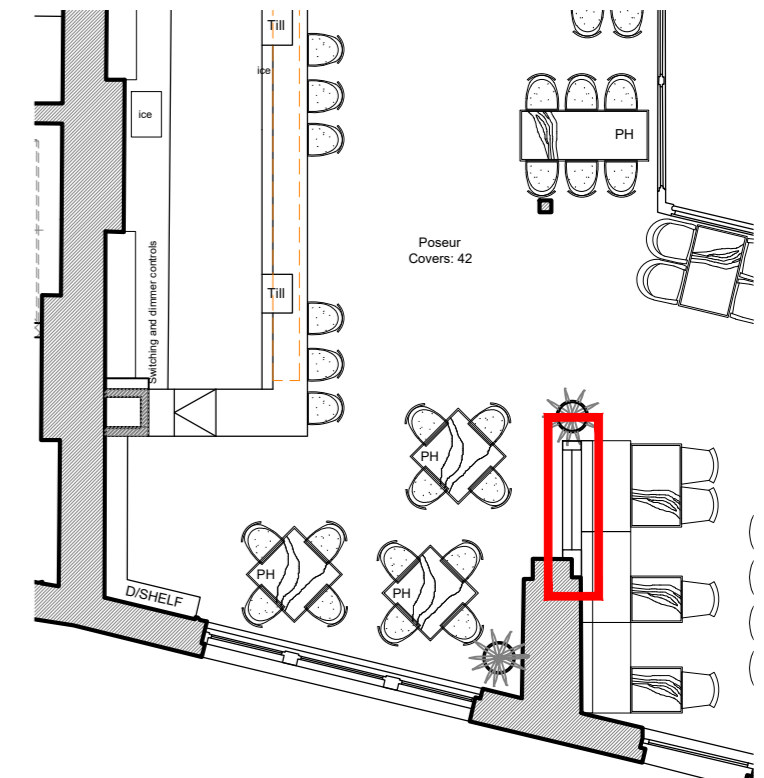
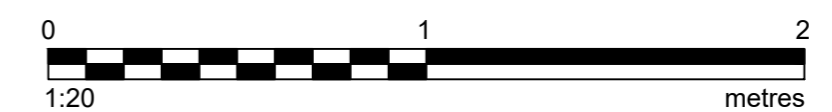


This drawing should be read in conjunction with all drawings prepared as part of the detail design package. Ensure site dimensions are checked prior to manufacture and installation. Ensure all joinery is restrained to structural envelope as necessary. All finishes to be applied as manufacturers instructions.

These drawings are for design intent purposes only. Contractor to develop construction design accordingly.



All to be stained dark oak/walnut, sample to be approved by designer.



Rev	Revision Details	Initials	Date
			00.00.00

newman|gauge

E.design@newmangaugae.com T. 0121 212 9800
47A George St. Birmingham B3 1QA
newmangaugae.com

Client

FULLER'S

Project

**THE PARCEL YARD
KINGS CROSS STN**

Drawing Title

DETAIL - SCREEN 2

Project Type

PRELIMINARY

Date	Scale	Drawn By
JAN'25	1:20@A2	BW
Project No.	Drawing No.	Revision
3185	511	-

This drawing is the property of NEWMAN GAUGE DESIGN ASSOCIATES. Copyright is reserved by them and the drawing is issued on the condition that it is not copied either wholly or in part without the prior consent in writing of Newman Gauge Design Associates. All dimensions are to be checked on site prior to the commencement of any work or shop drawings. This drawing is to be read in conjunction with other drawings and specifications where existing.