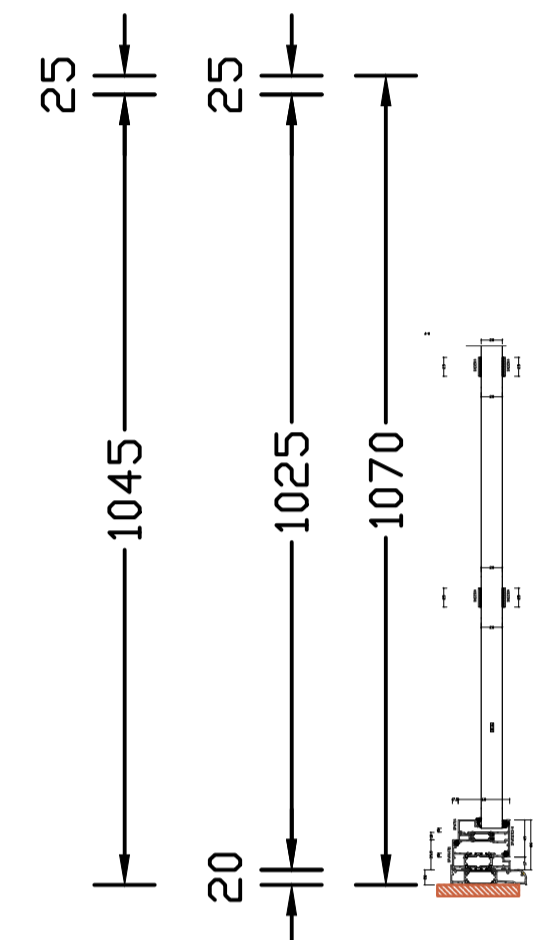


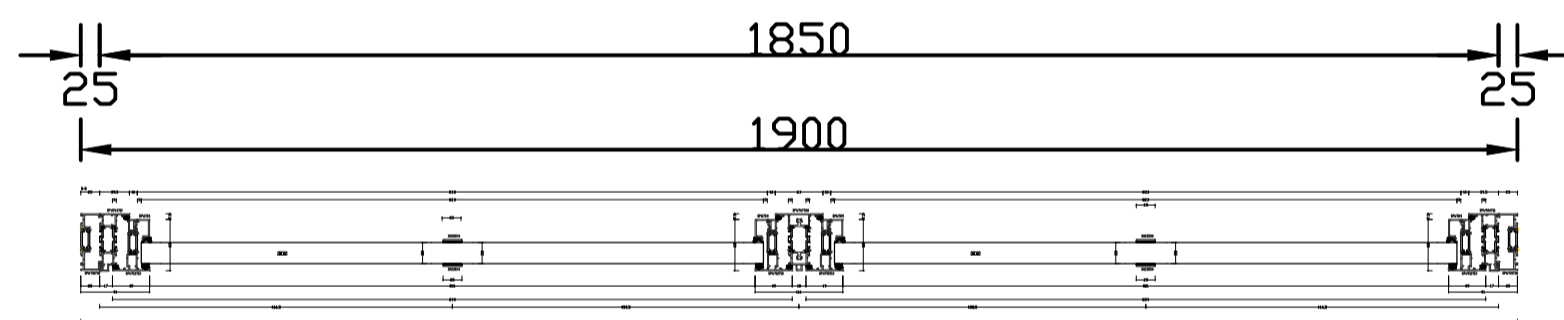
WM.02 - Window Elevation (Exterior View) 1:10@A1



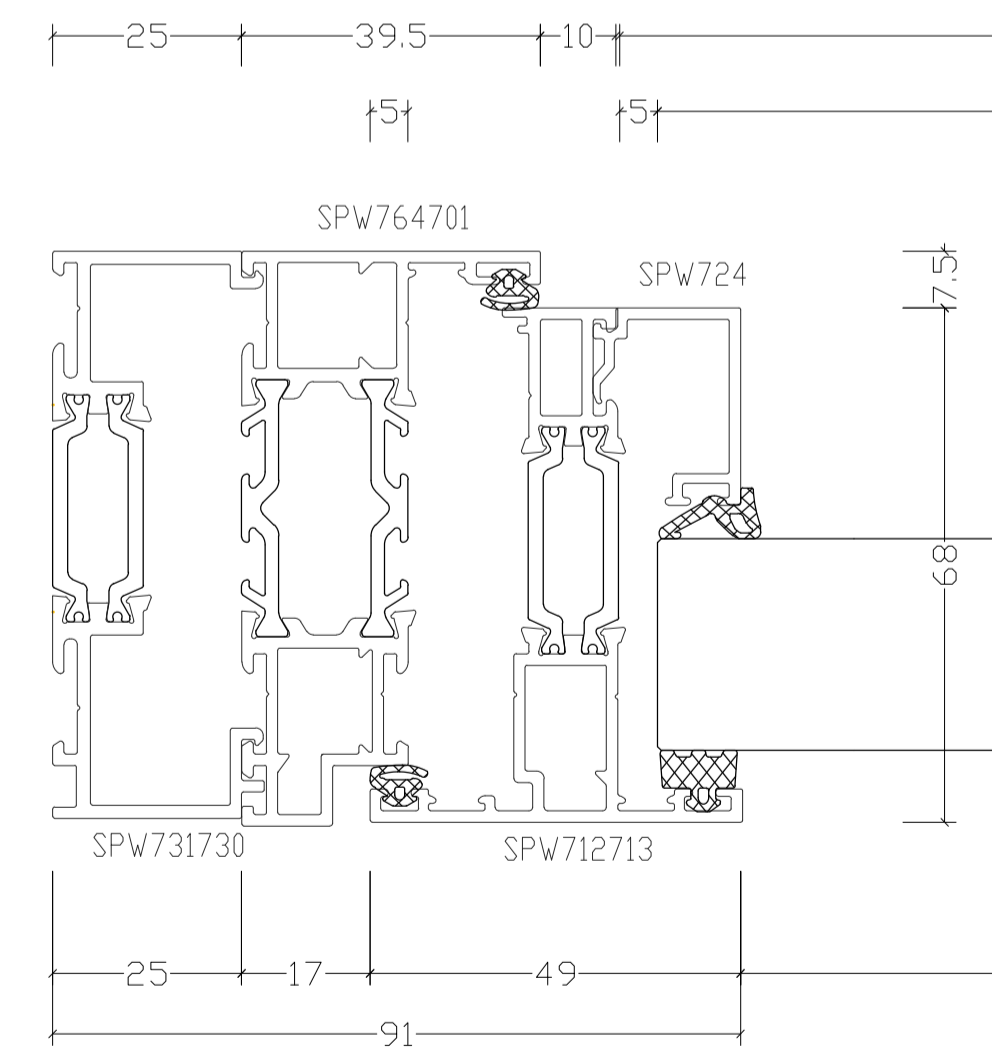
WM.02 - Section (A-A) 1:10@A1



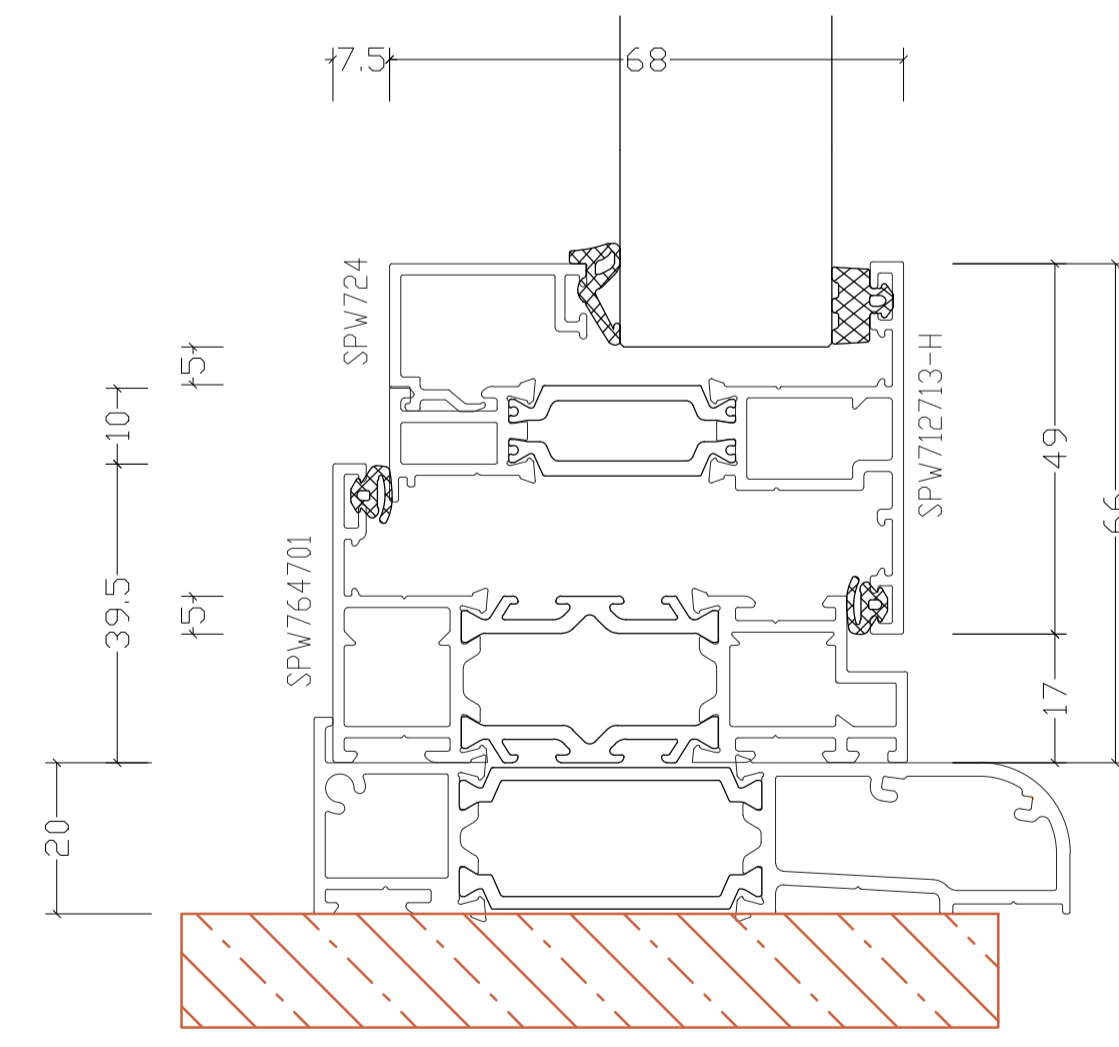
South East Elevation 1:100@A1



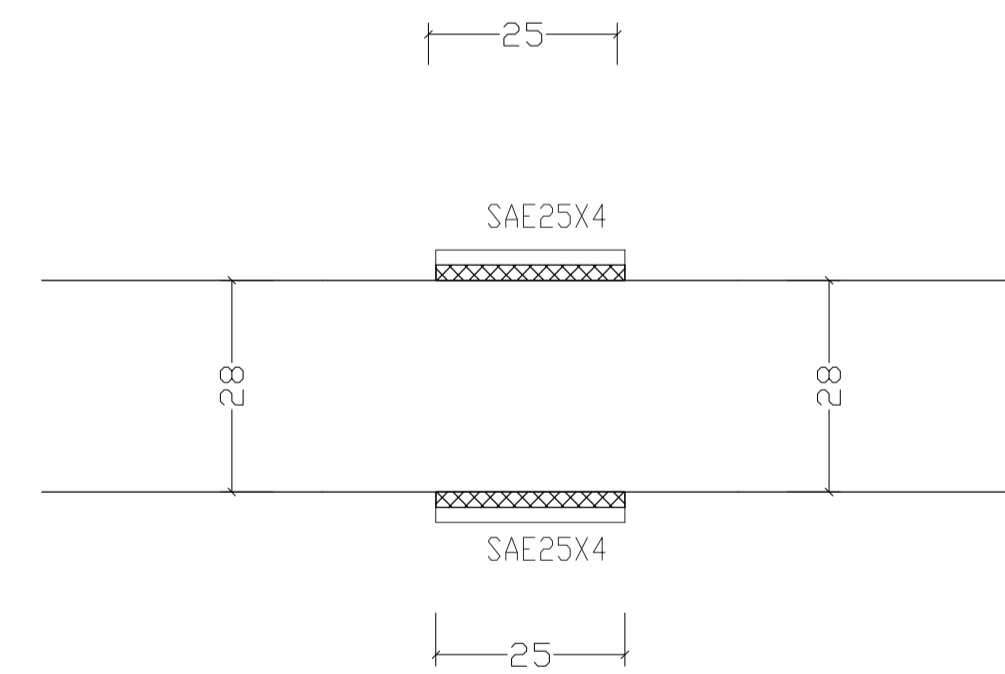
WM.02 - Plan (B-B) 1:10@A1



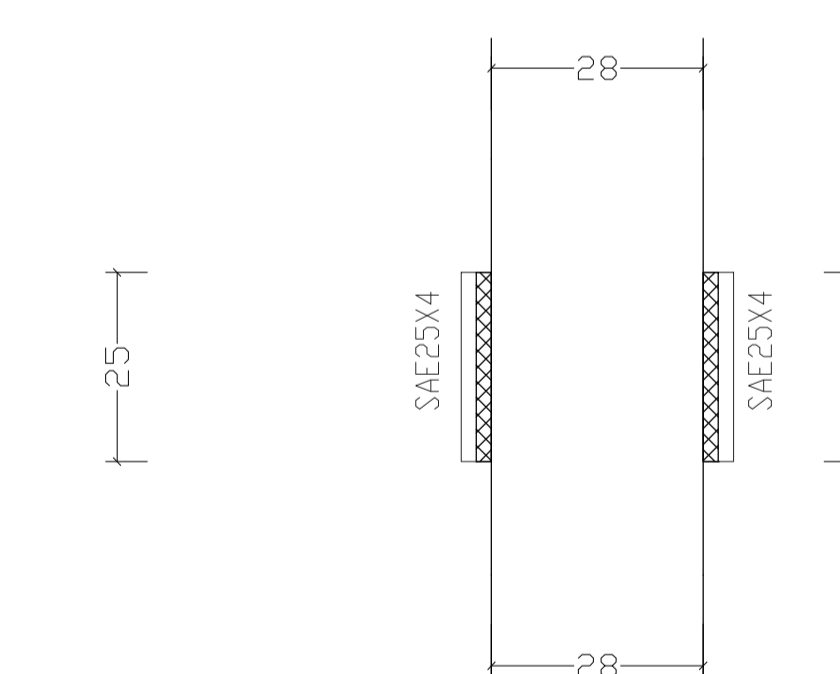
Detail 01 - Reveal Detail 1:1@A1



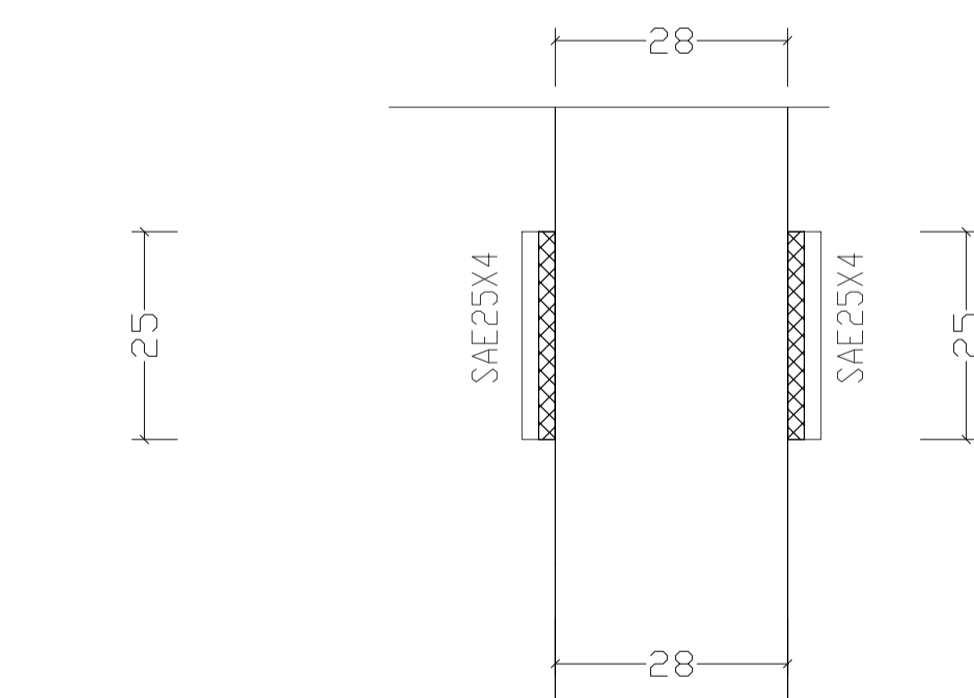
Detail 02 - Basel Detail 1:1@A1



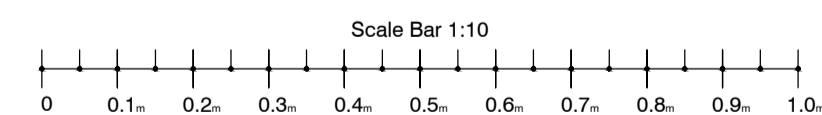
Detail 03 - Transome Detail 1:1@A1



Detail 04 - Transome Detail 1:1@A1



Detail 05 - Transome Detail 1:1@A1



| | |
|----------------------------|-----------------------|
| CONDITION DISCHARGE | |
| CONTRACT | SCALE 1:10@A1/1:20@A3 |
| BAPS Cultural Centre | DATE Feb 2025 |
| 25 Old Gloucester Street | DRAWN MR |
| WC1N 3AF | CHECKED WJB |
| TITLE | DRAWING No |
| Window Details | 23165_PL605 |
| | REVISION |