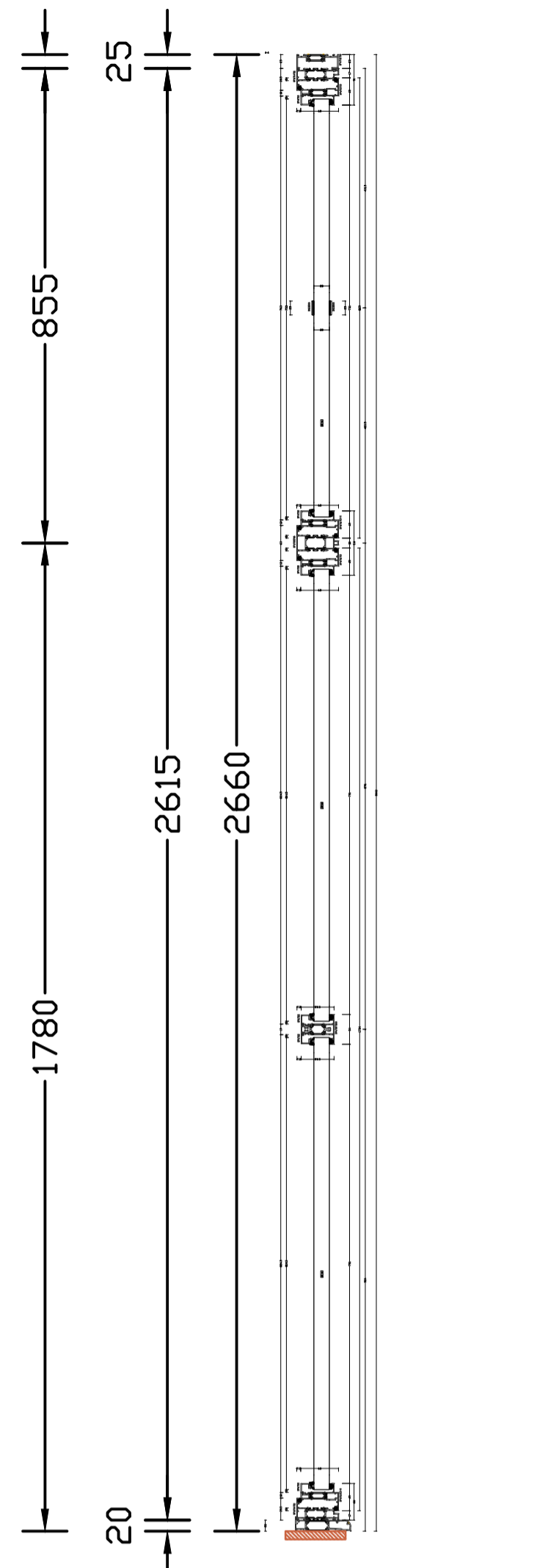
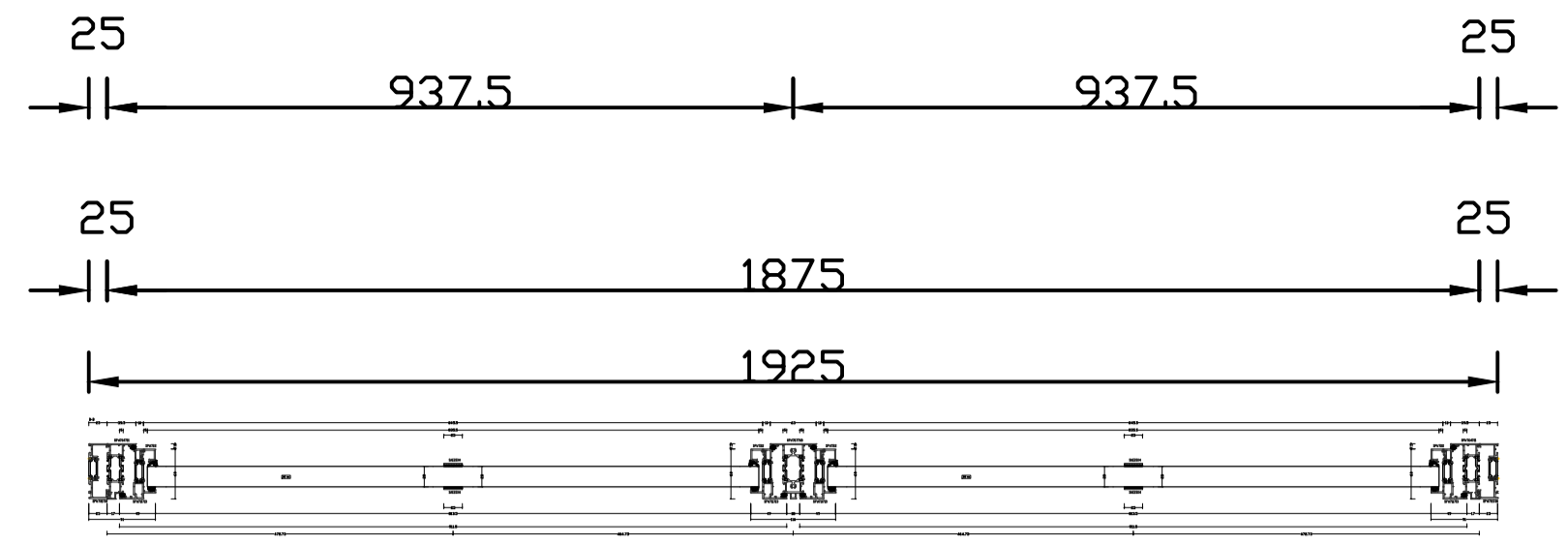


W0.03 - Window Elevation (Exterior View) 1:10@A1



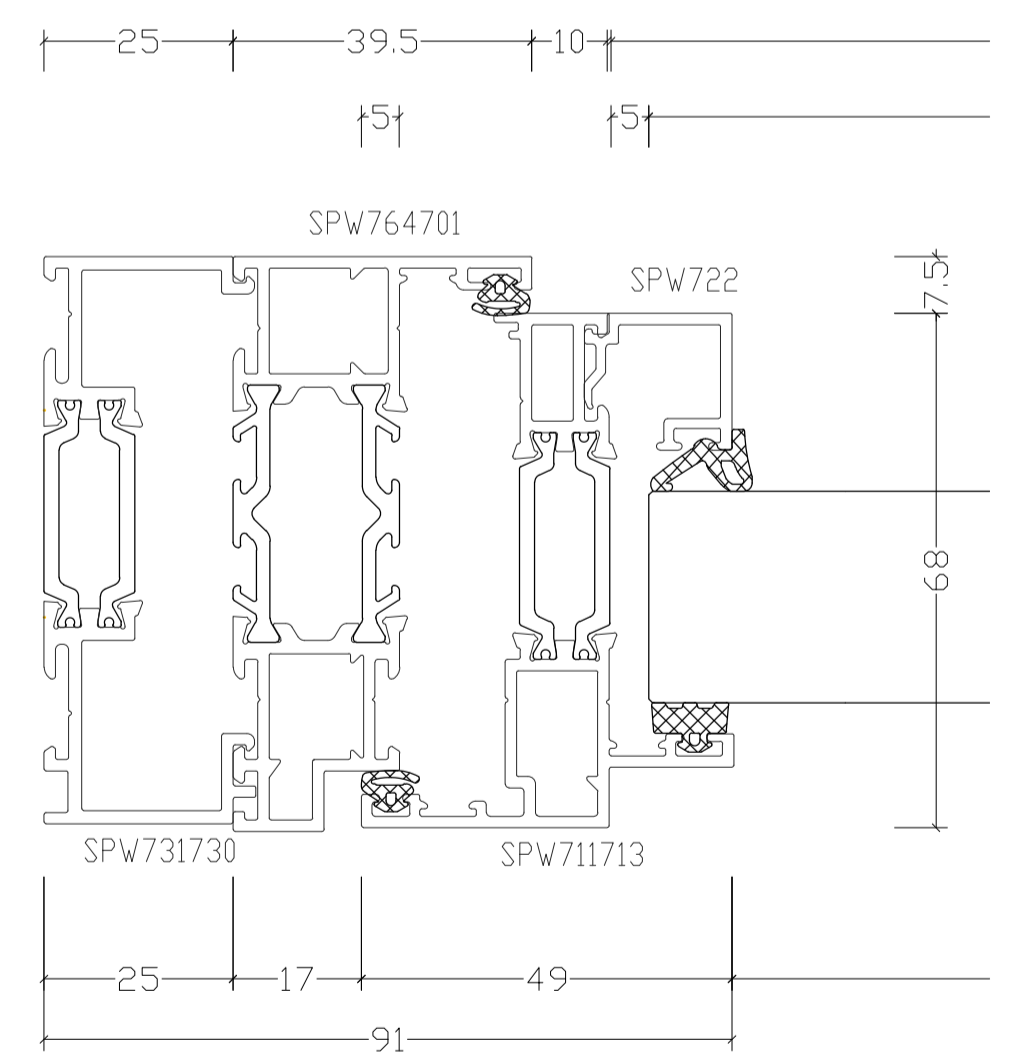
W0.03 - Section (A-A) 1:10@A1



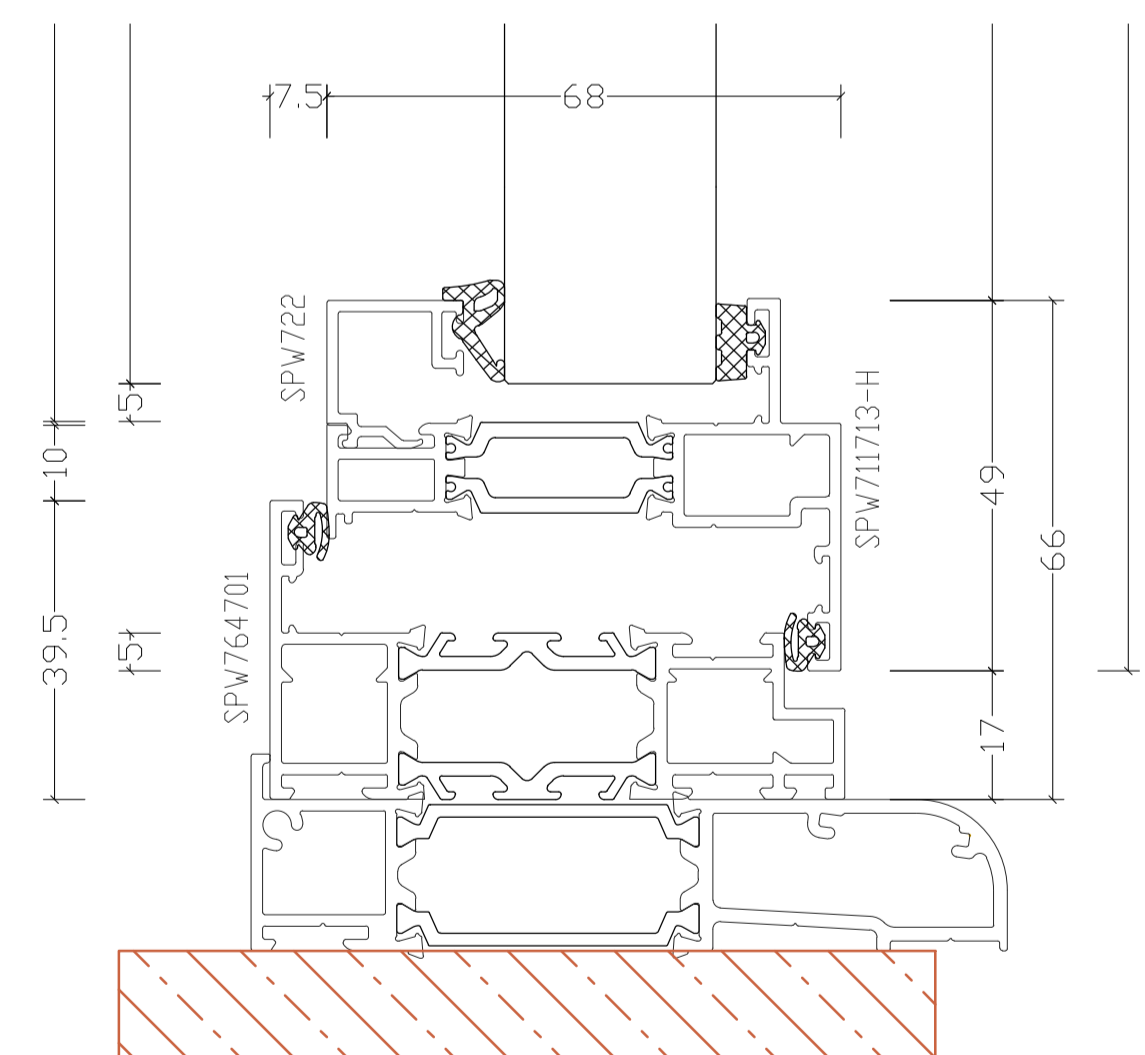
W0.03 - Plan (B-B) 1:10@A1



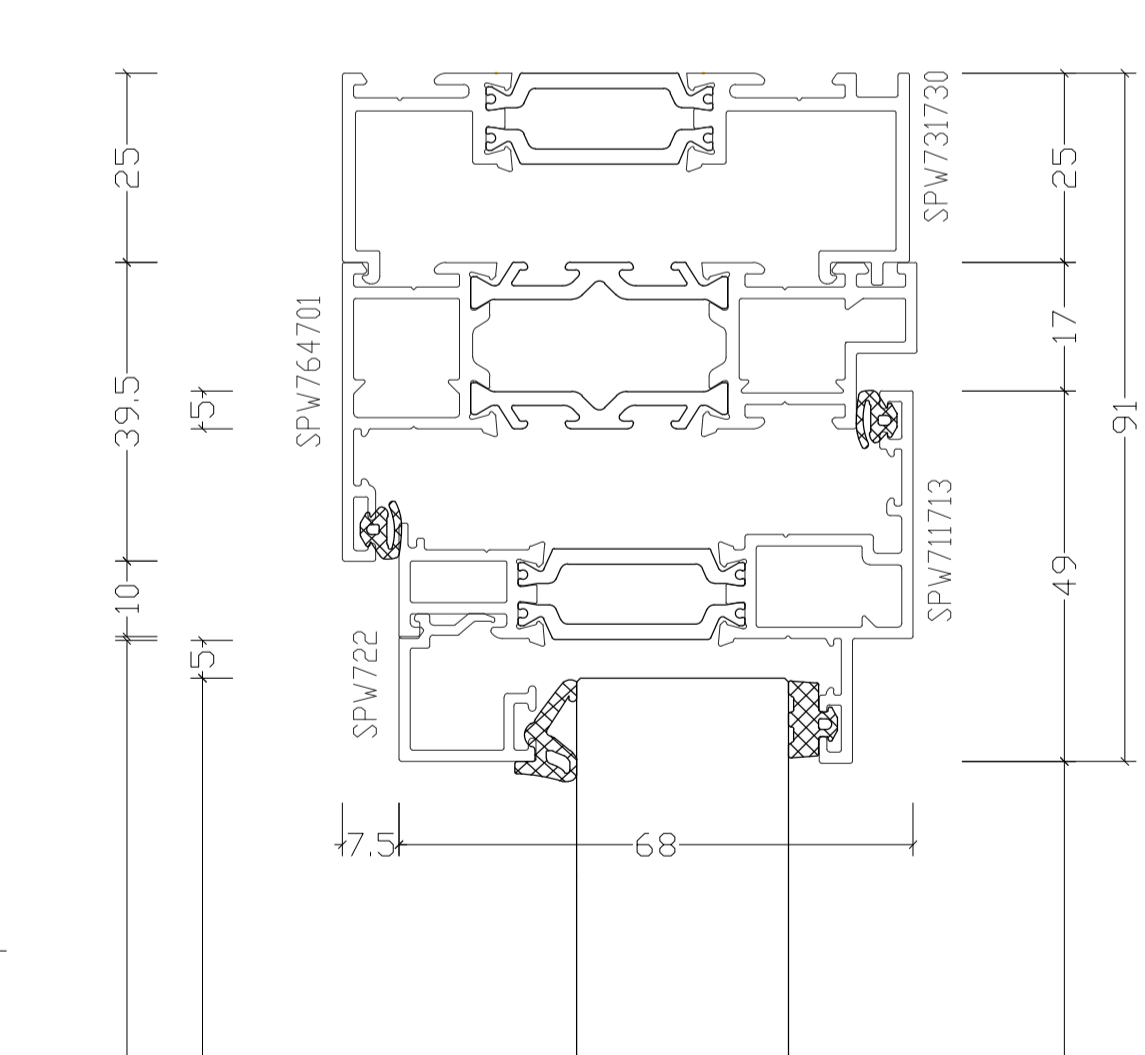
North West Elevation 1:100@A1



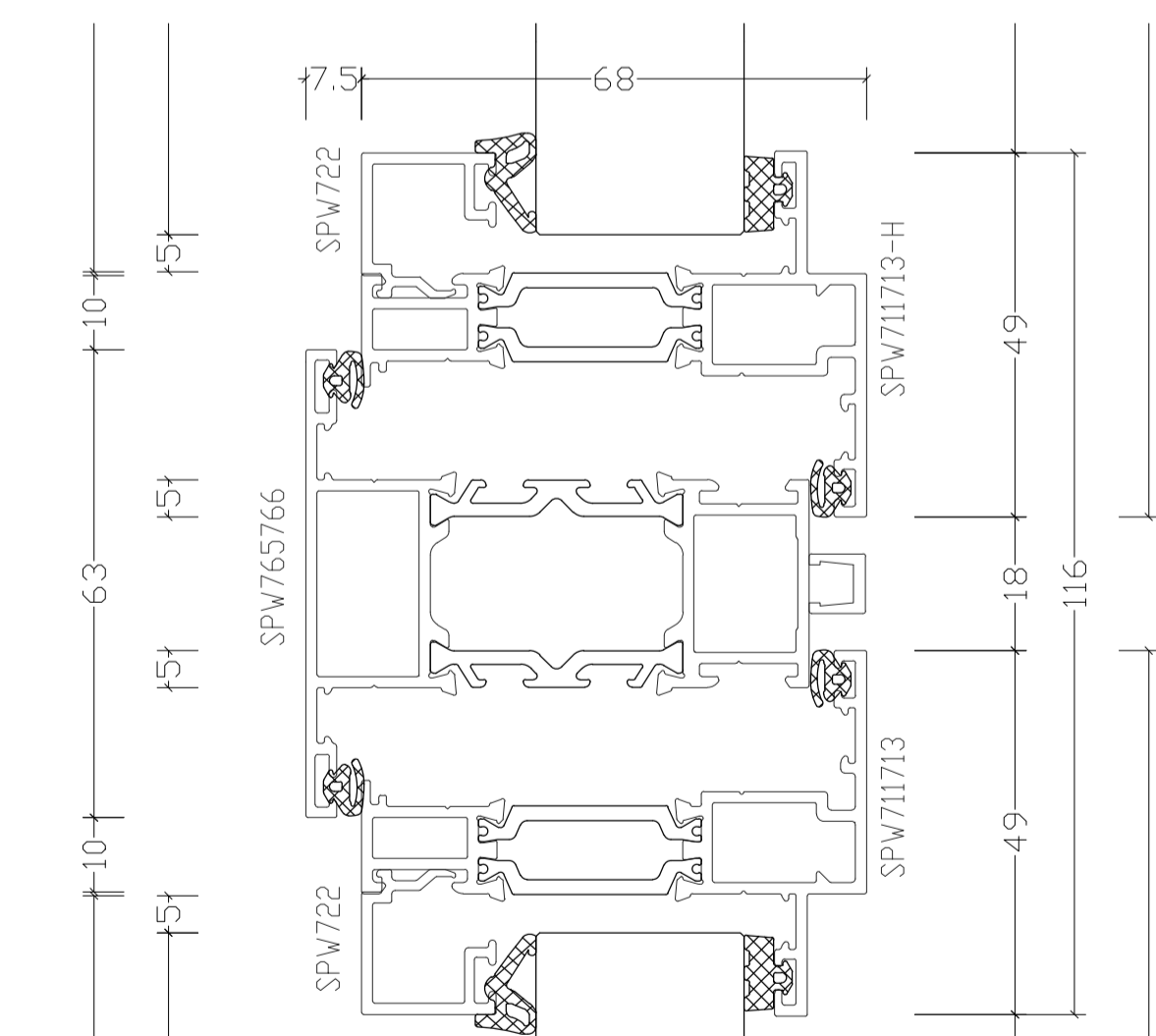
Detail 01 - Reveal Detail 1:1@A1



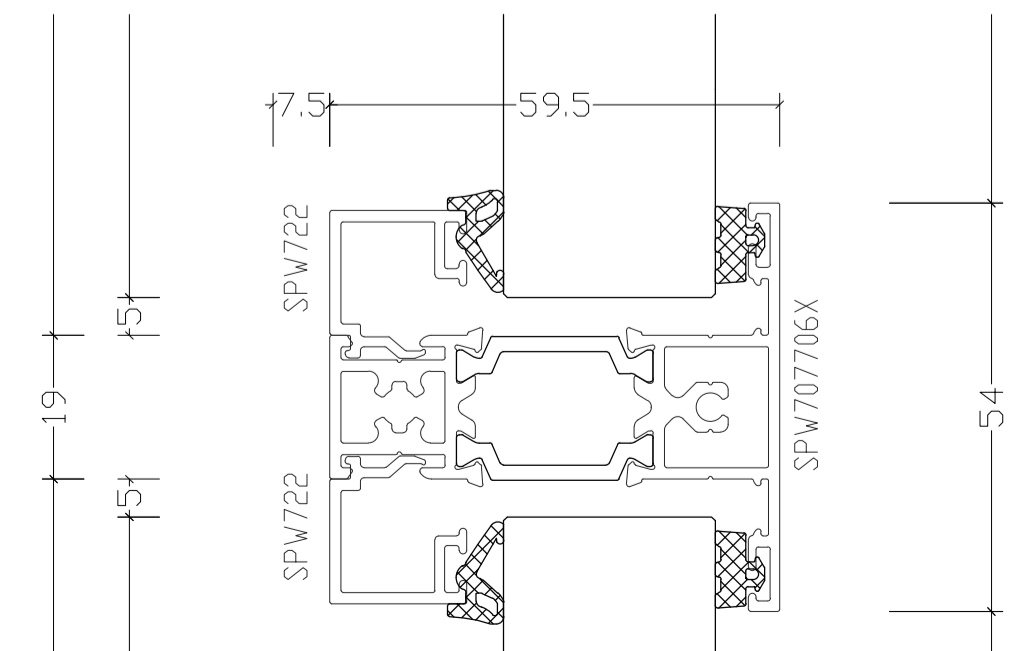
Detail 02 - Basal Detail 1:1@A1



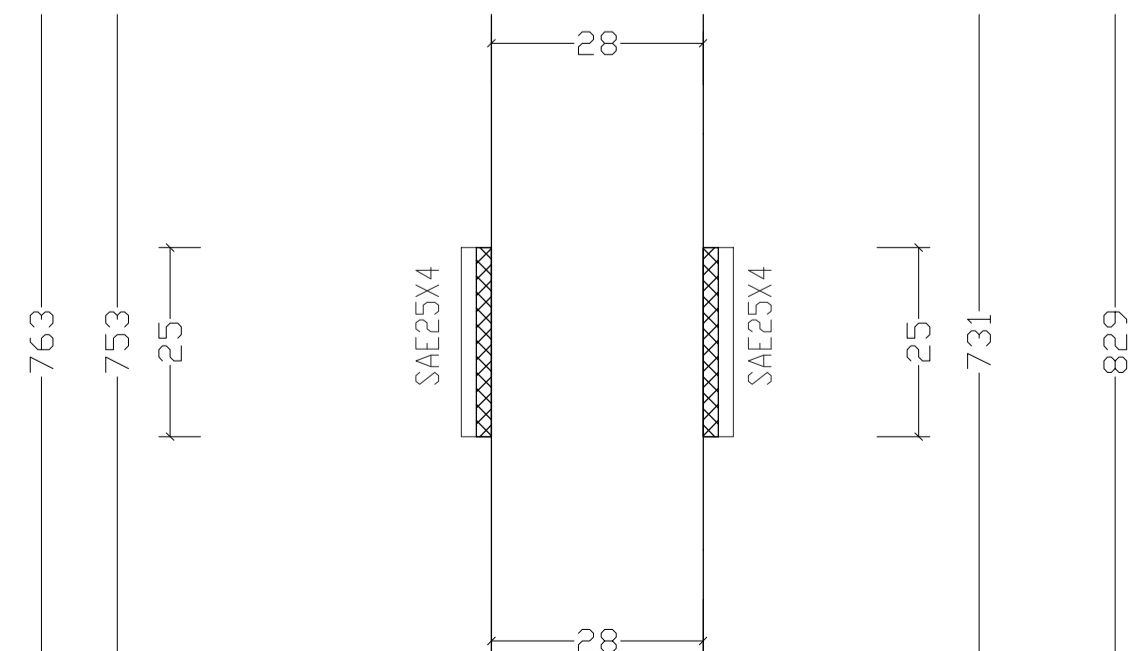
Detail 05 - Head Detail 1:1@A1



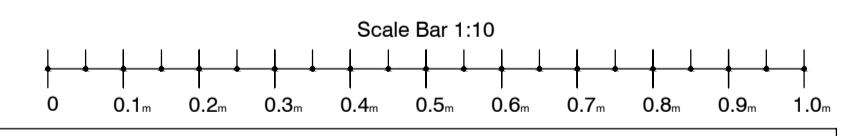
Detail 06 - Transome Detail 1:1@A1



Detail 03 - Transome Detail 1:1@A1



Detail 04 - Transome Detail 1:1@A1



**CONDITION DISCHARGE**

CONTRACT	BAPS Cultural Centre 25 Old Gloucester Street WC1N 3AF	SCALE	1:10@A1/1:20@A3
DATE	Feb 2025	DRAWN	MR
CHECKED	WJB	TITLE	Window Details
REVISION		DRAWING No	23165_PL601