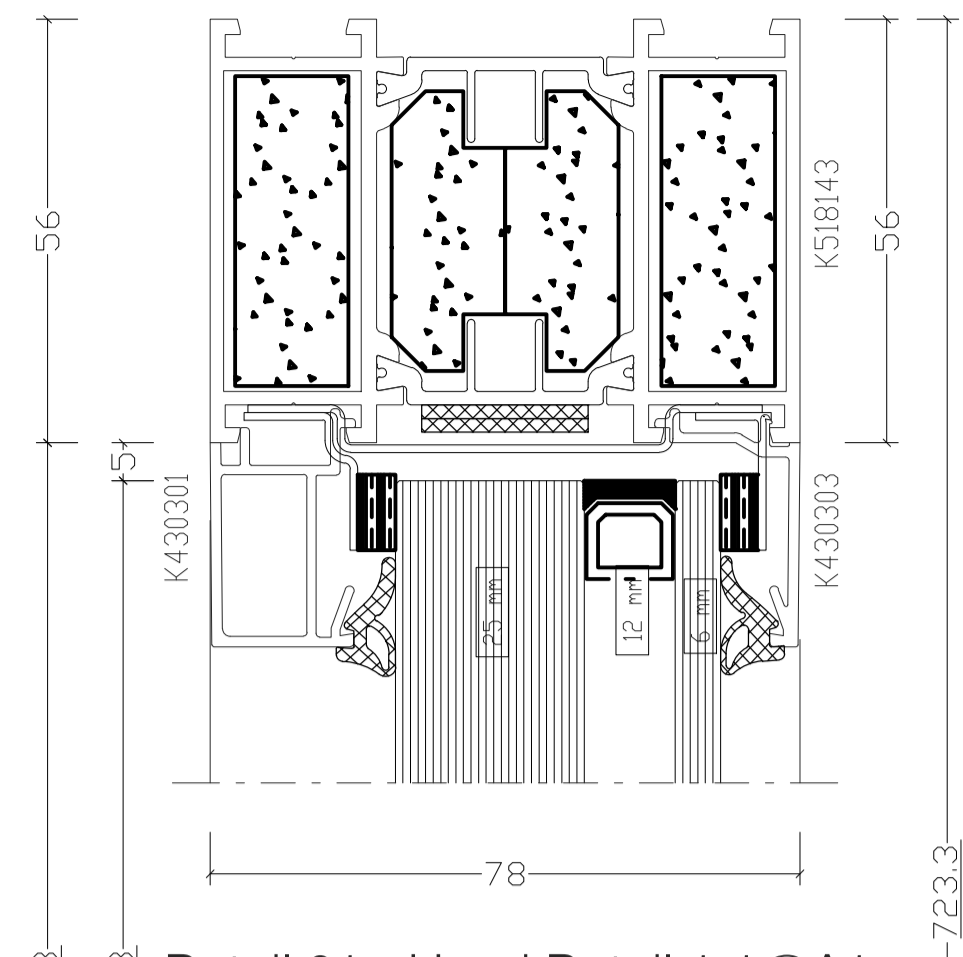
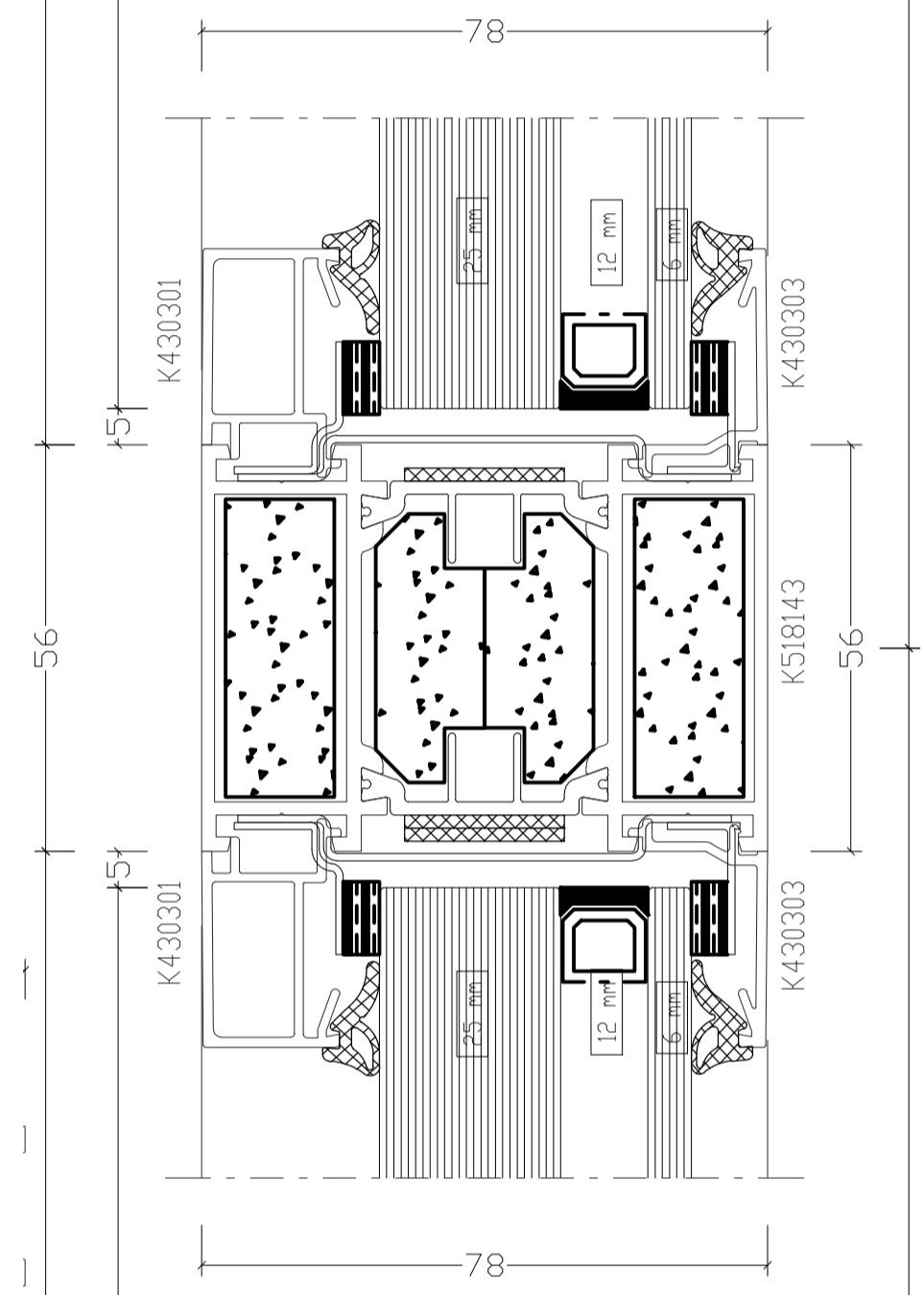


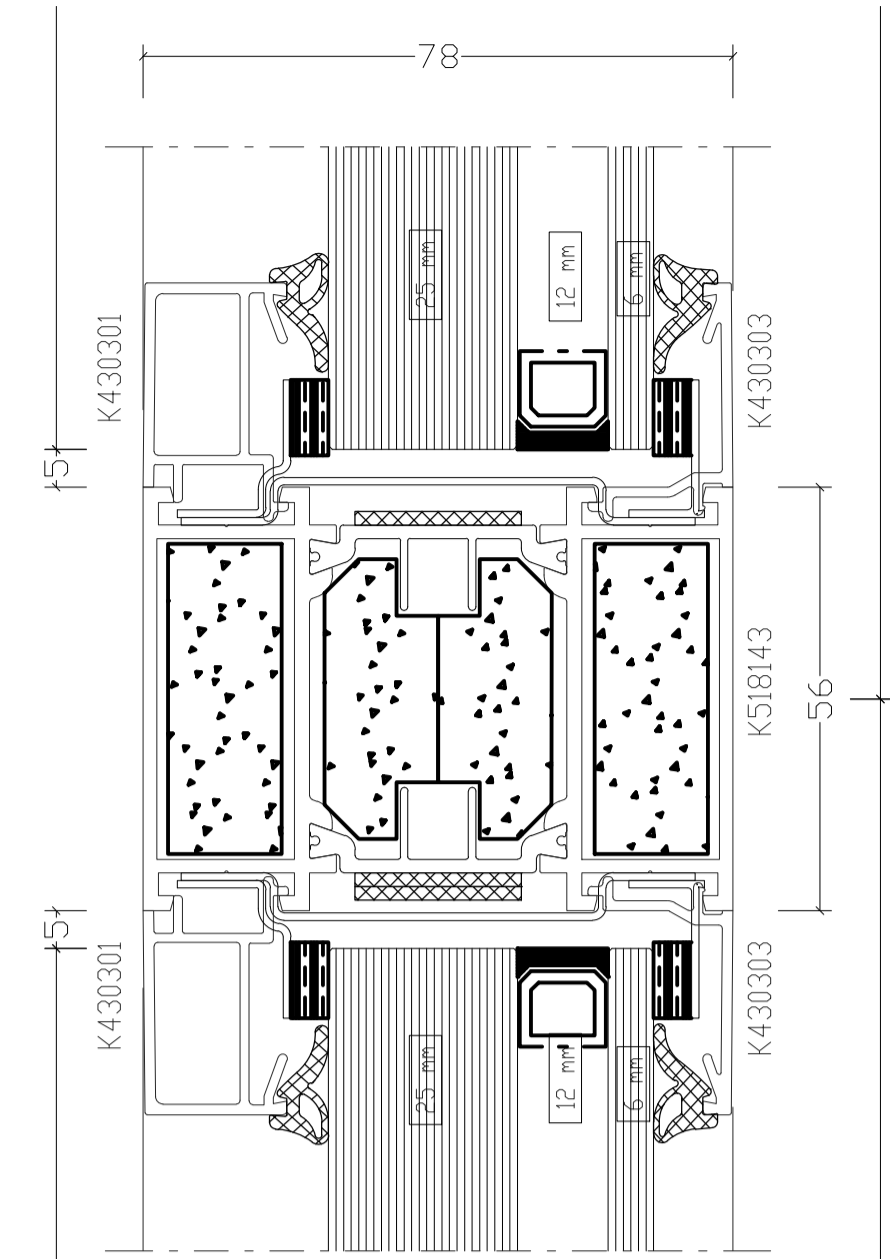
WB.02 - Window Elevation (Exterior View) 1:10@A1



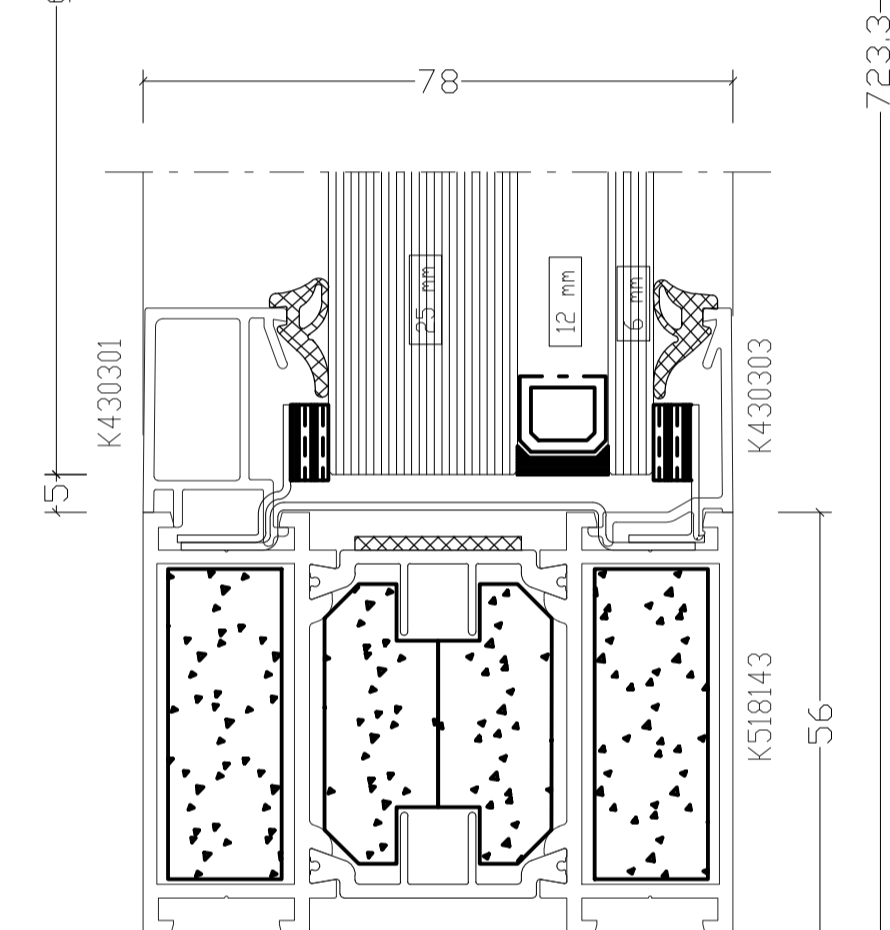
Detail 01 - Head Detail 1:1@A1



Detail 02 - Transome Detail 1:1@A1



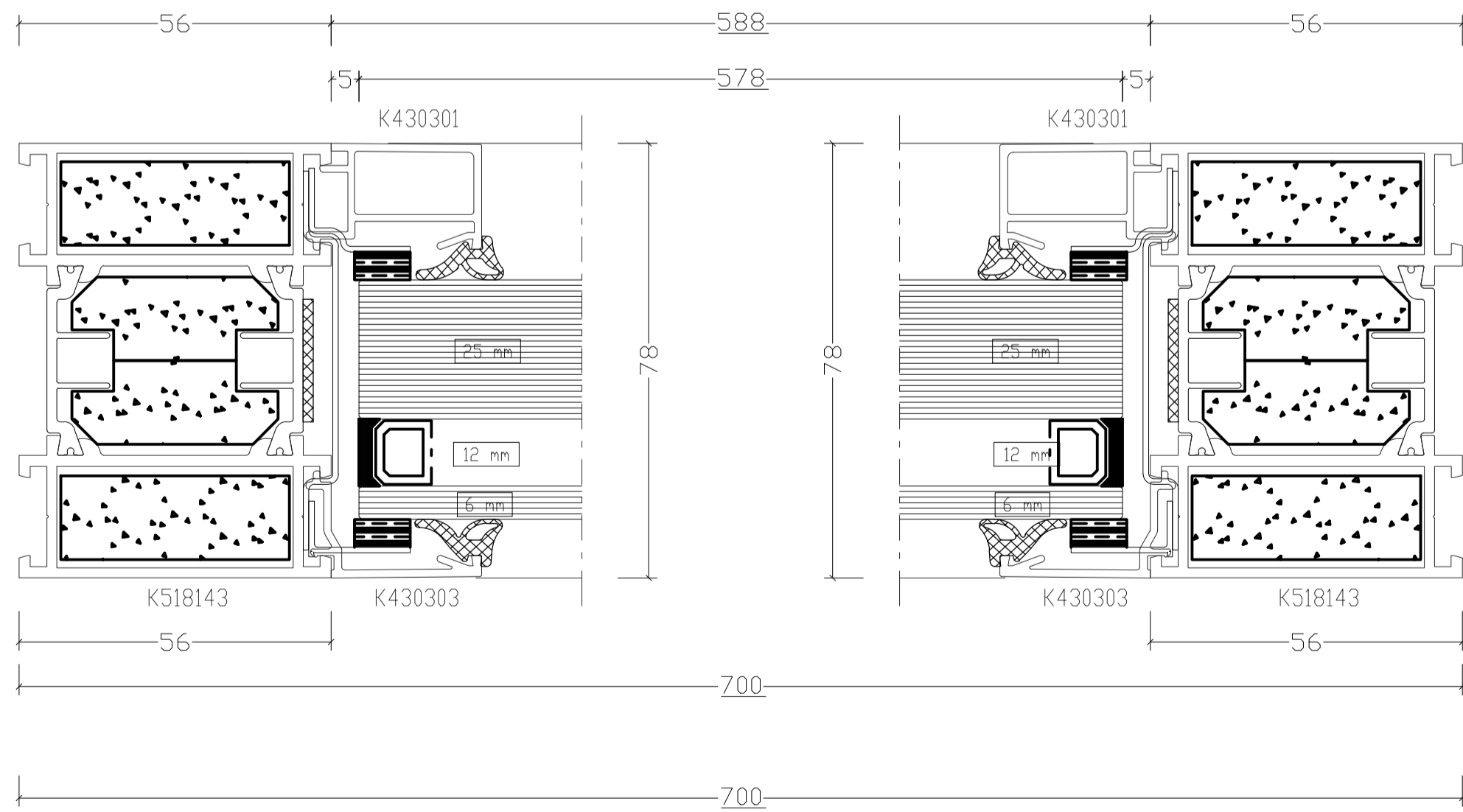
Detail 03 - Transome Detail 1:1@A1



Detail 04 - Basel Detail 1:1@A1



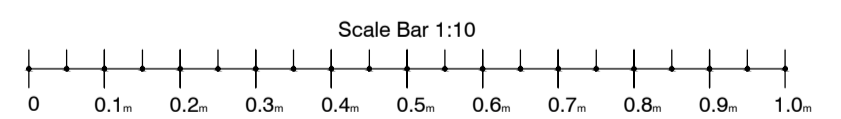
North West Elevation 1:100@A1



Detail 05 - Reveal Detail 1:1@A1

Detail 06 - Transome Detail 1:1@A1

- 2x FR60 DGU, FR60 DGL
 43mm 0.36 m² 578 x 629mm
- 1x FR60 DGL, FR60 DGL
 43mm 0.38 m² 578 x 657mm
- 1 120540
- 2 120540



CONDITION DISCHARGE	
CONTRACT	SCALE 1:10@A1/1:20@A3
BAPS Cultural Centre 25 Old Gloucester Street WC1N 3AF	DATE Feb 2025
	DRAWN MR
	CHECKED WJB
TITLE Fire- Rated Window Details	DRAWING No 23165_PL630
	REVISION