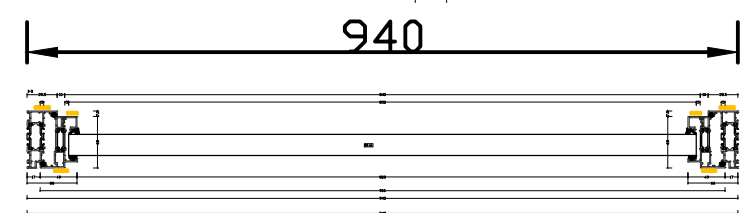


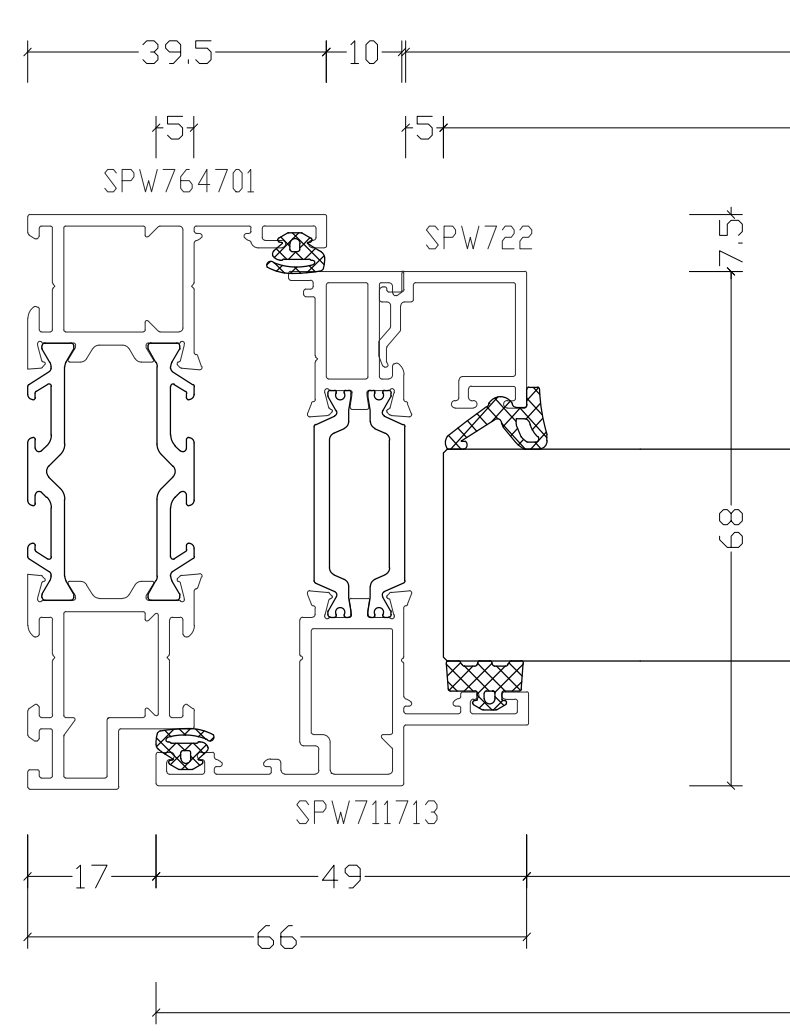
W2.08 - Window Elevation (Exterior View) 1:10@A1    W2.08 - Section (A-A) 1:10@A1



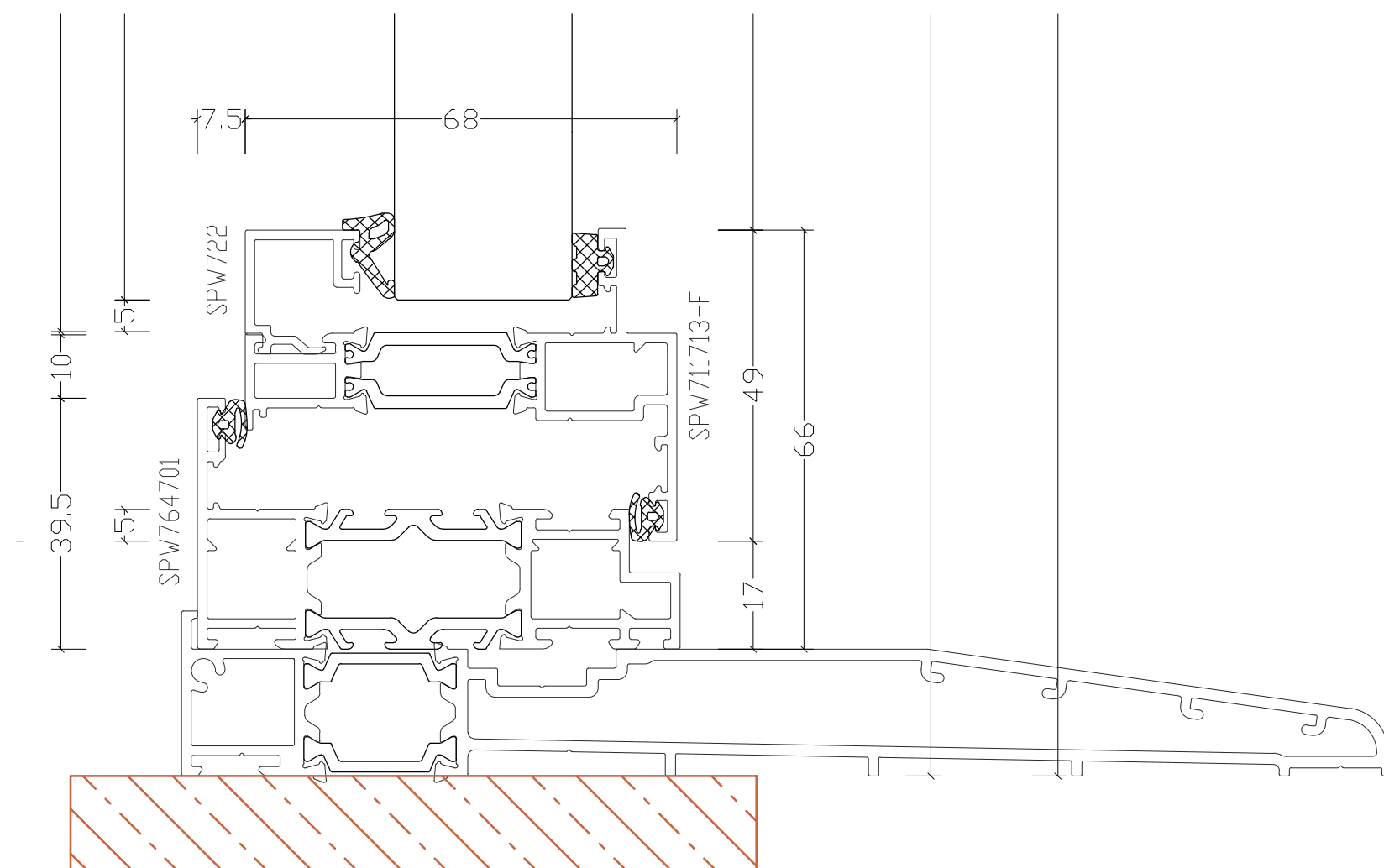
South East Elevation 1:100@A1



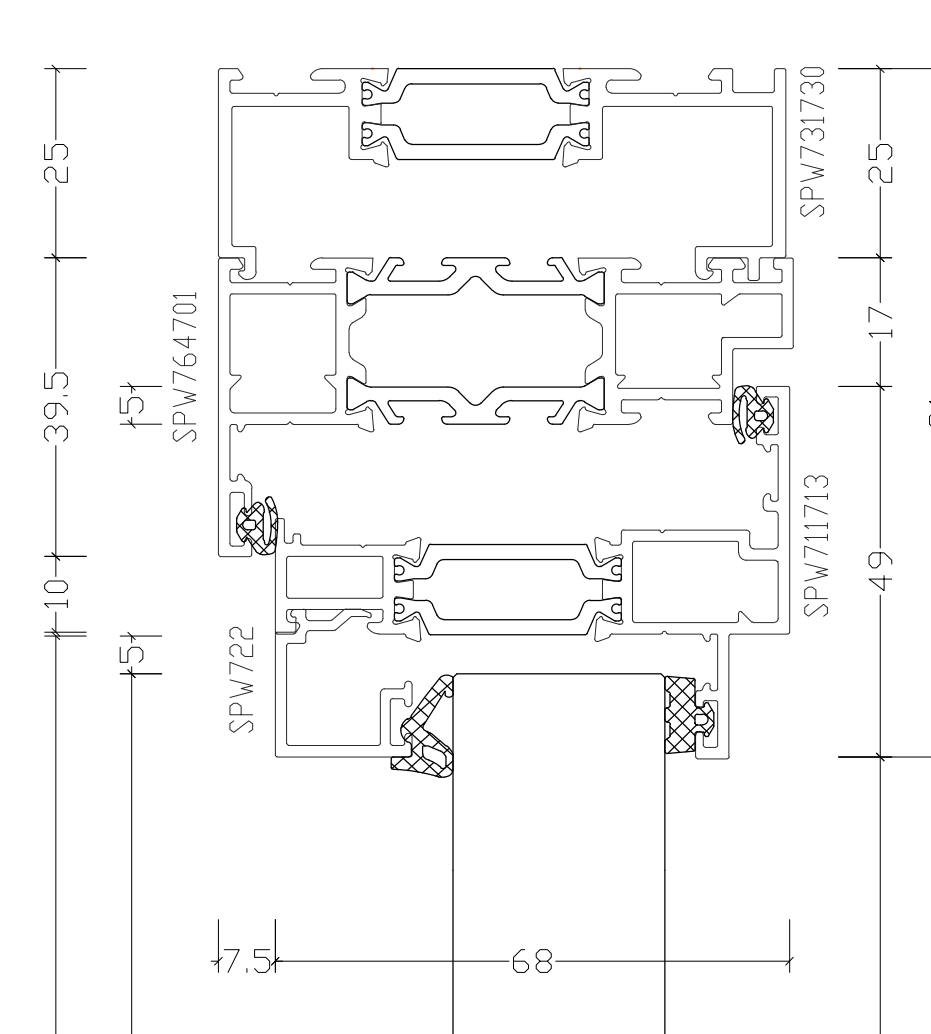
W2.08 - Plan (B-B) 1:10@A1



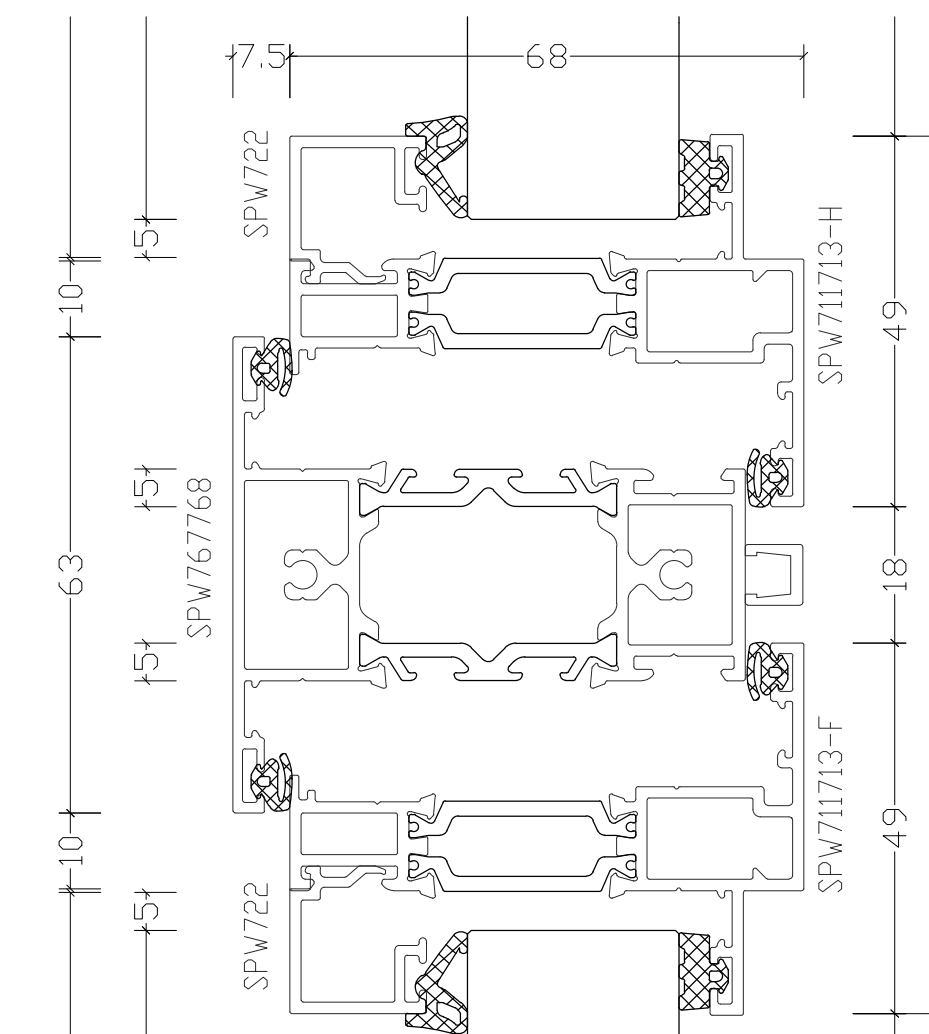
Detail 01 - Reveal Detail 1:1@A1



Detail 02 - Basel Detail 1:1@A1



Detail 03 - Head Detail 1:1@A1



Detail 04 - Transome Detail 1:1@A1



<b>CONDITION DISCHARGE</b>	
CONTRACT	SCALE 1:10@A1/1:20@A3
<b>BAPS Cultural Centre</b>	DATE Feb 2025
<b>25 Old Gloucester Street</b>	DRAWN MR
<b>WC1N 3AF</b>	CHECKED WJB
TITLE	DRAWING No
<b>Window Details</b>	<b>23165_PL622</b>
	REVISION