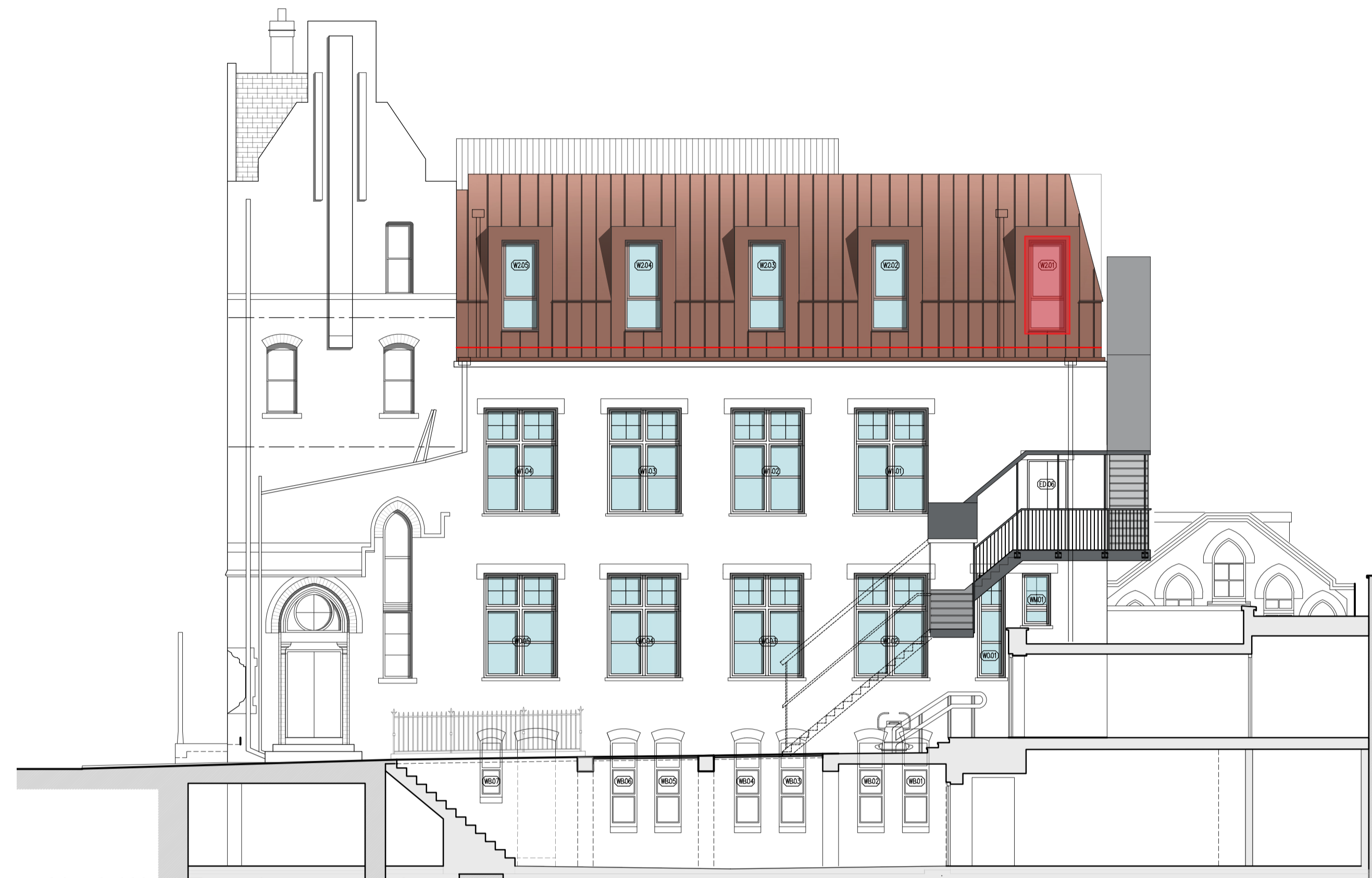
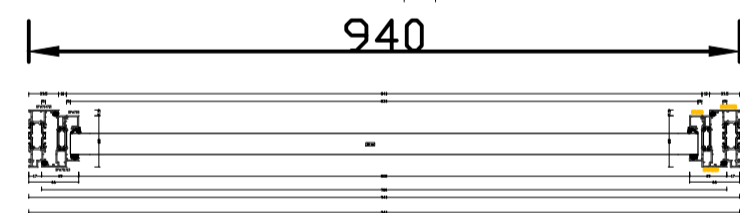


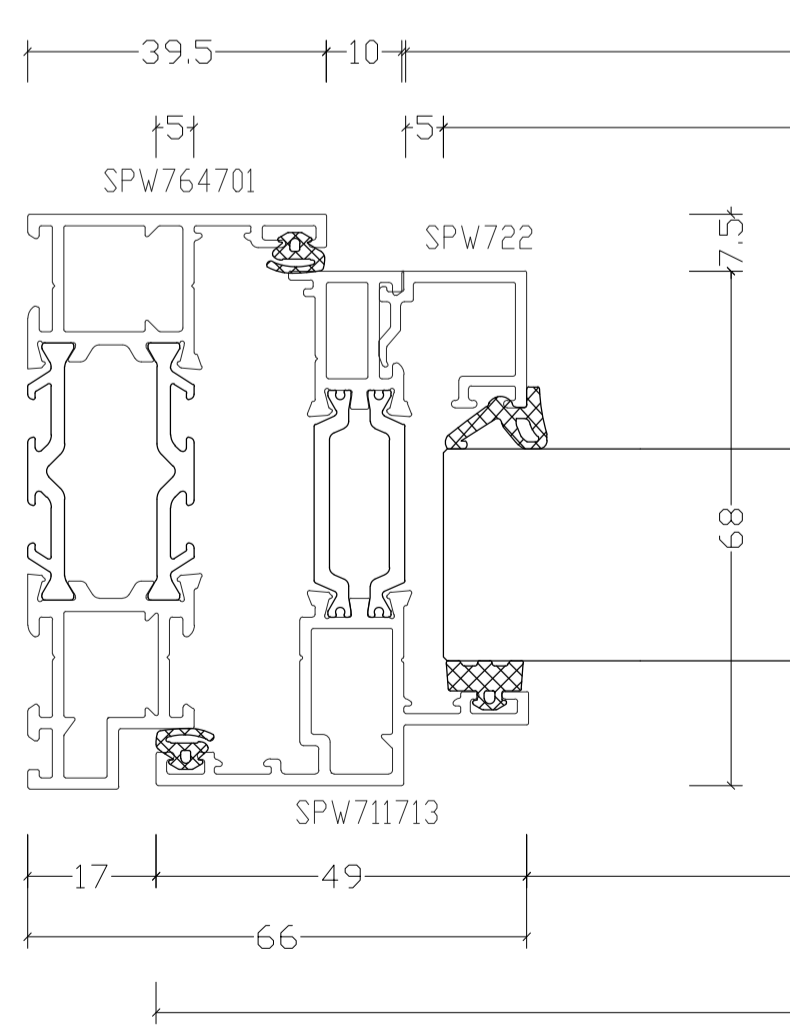
W2.01 - Window Elevation (Exterior View) 1:10@A1 W2.01 - Section (A-A) 1:10@A1



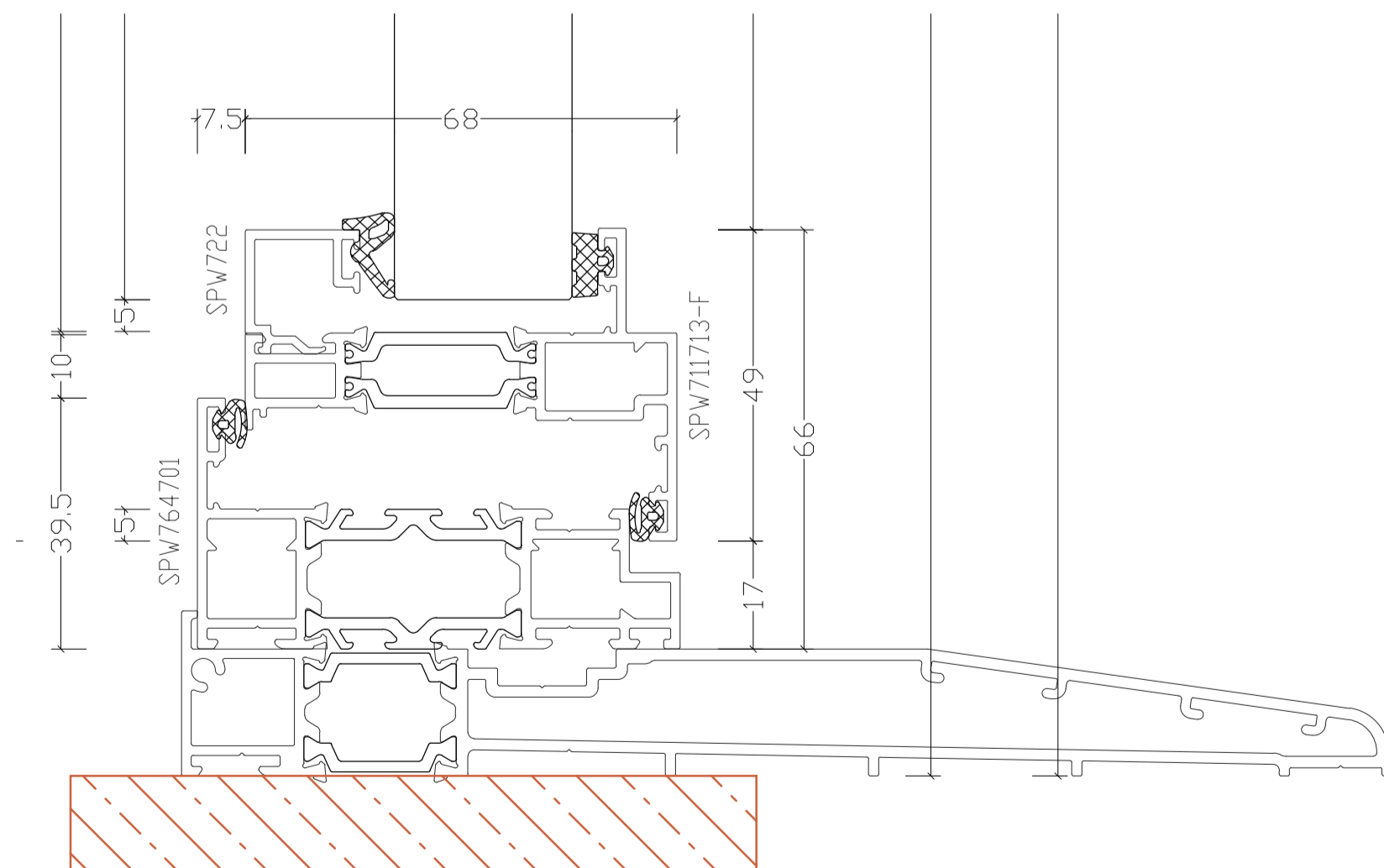
North West Elevation 1:100@A1



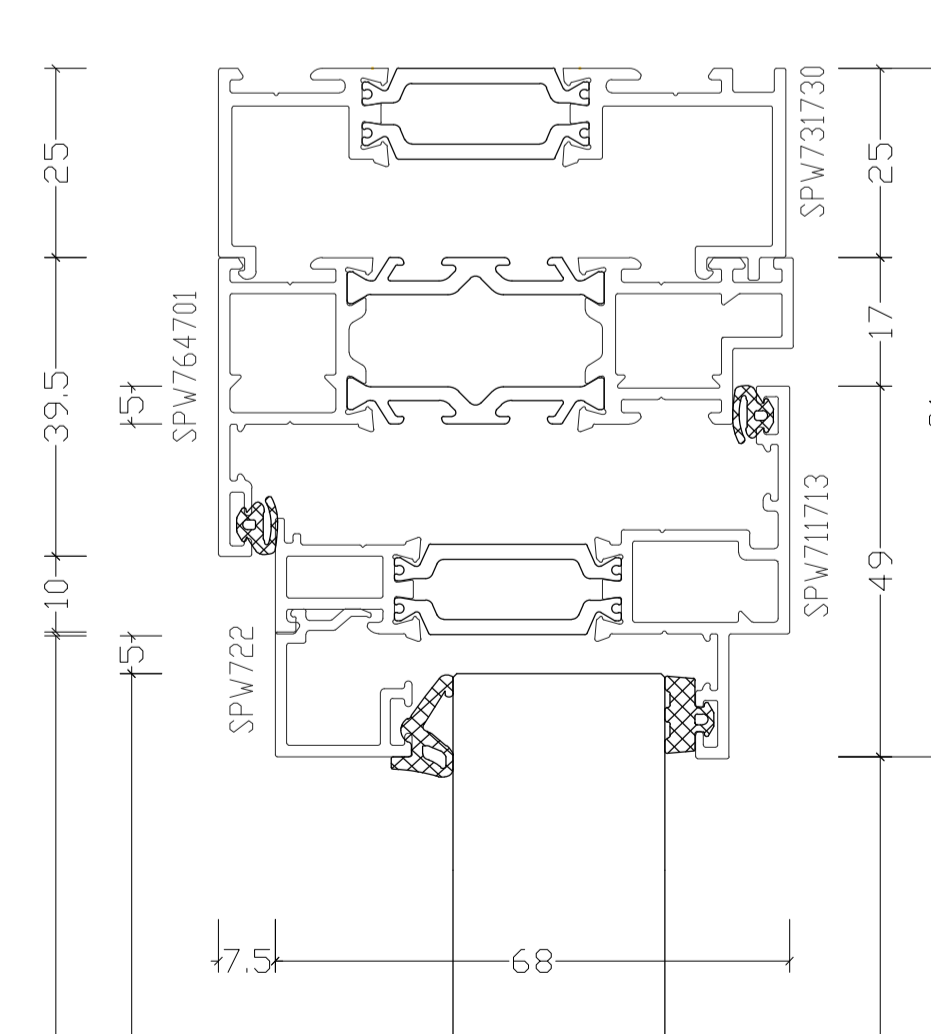
W2.01 - Plan (B-B) 1:10@A1



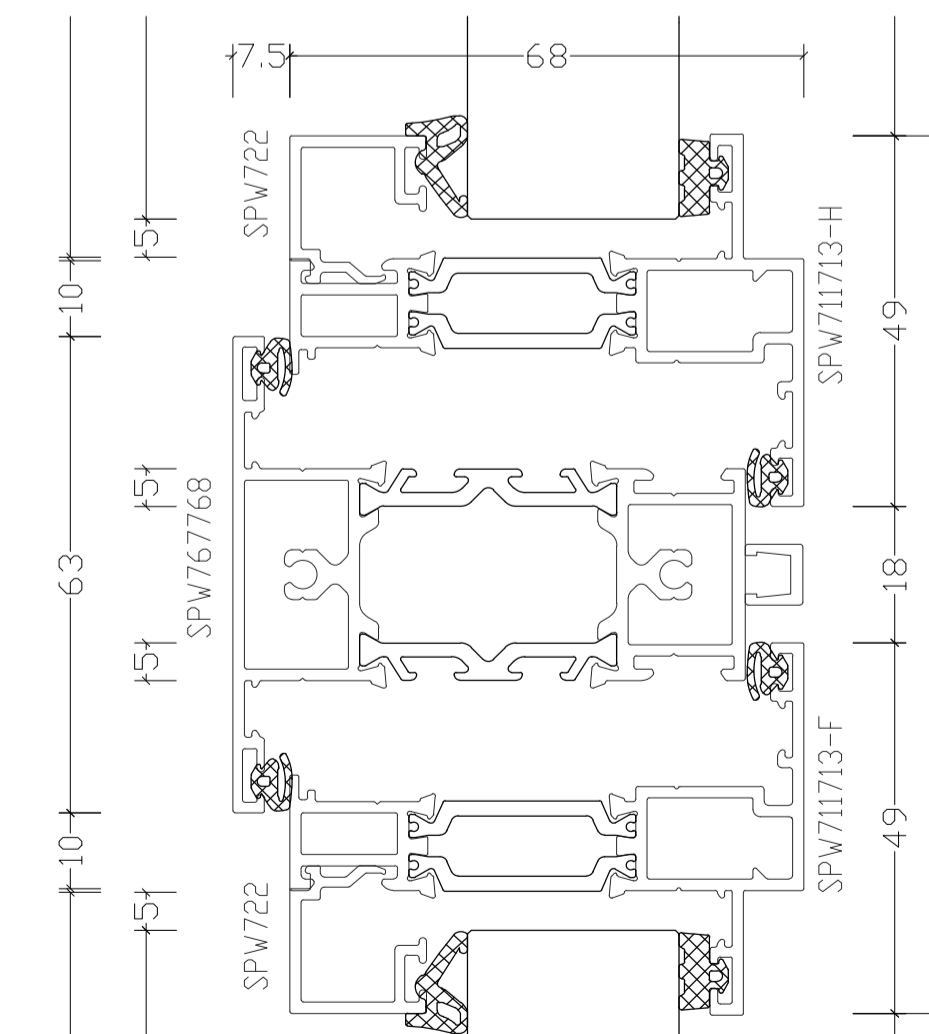
Detail 01 - Reveal Detail 1:1@A1



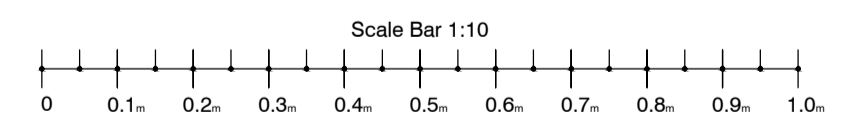
Detail 02 - Basal Detail 1:1@A1



Detail 03 - Head Detail 1:1@A1



Detail 04 - Transome Detail 1:1@A1



CONDITION DISCHARGE	
CONTRACT	SCALE 1:10@A1/1:20@A3
BAPS Cultural Centre	DATE Feb 2025
25 Old Gloucester Street	DRAWN MR
WC1N 3AF	CHECKED WJB
TITLE	DRAWING No
Window Details	23165_PL616
	REVISION