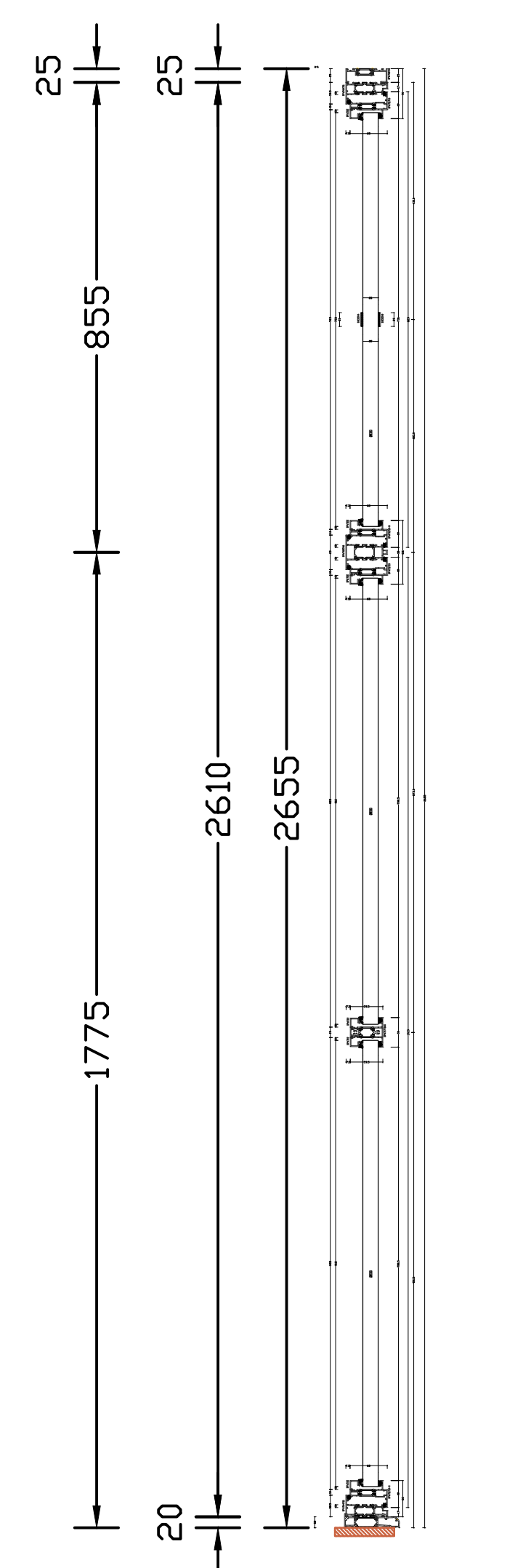
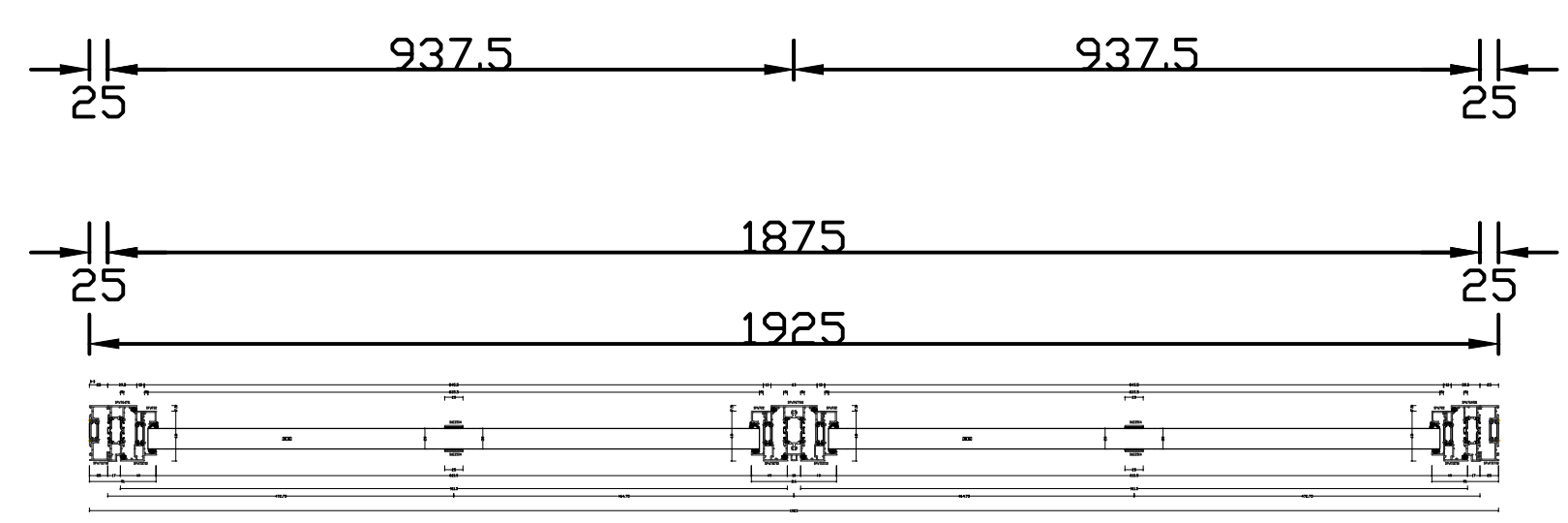


W1.02 - Window Elevation (Exterior View) 1:10@A1



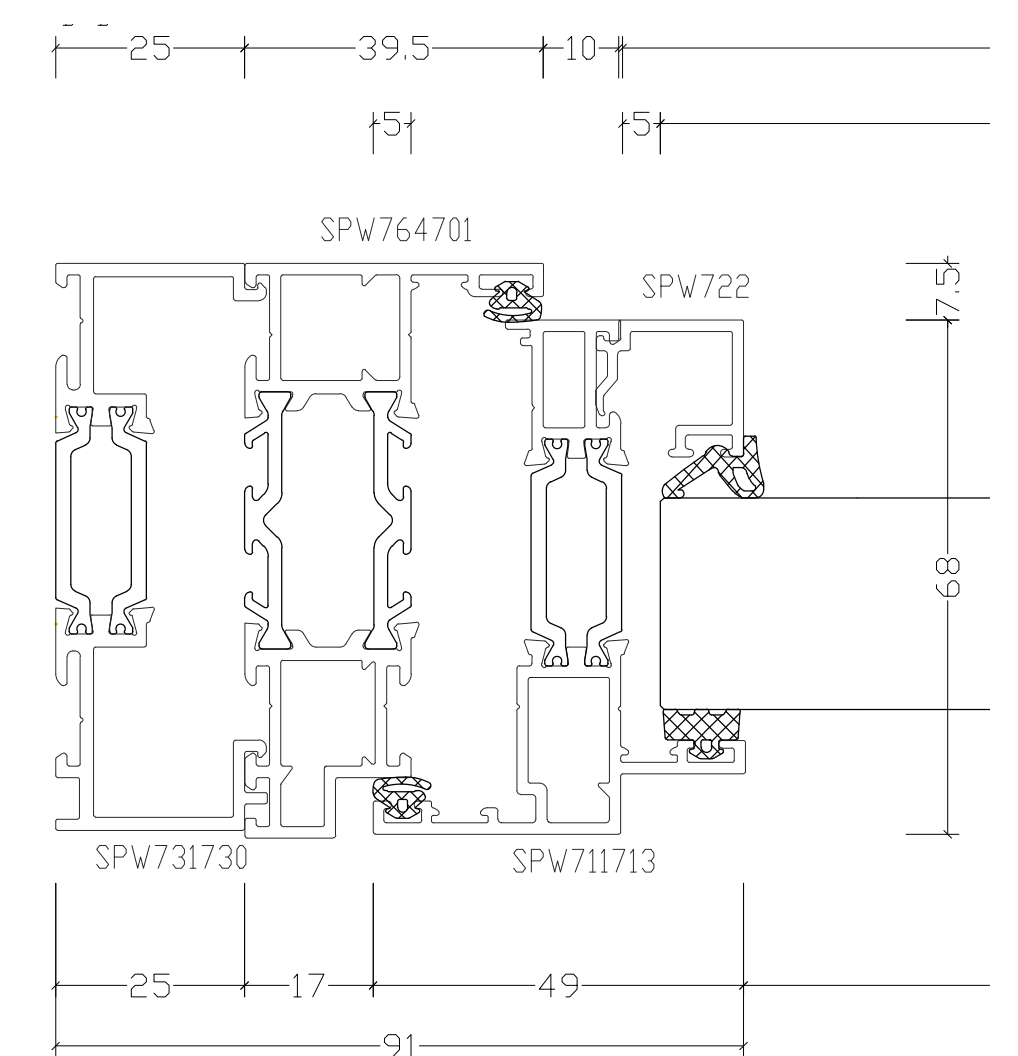
W1.02 - Section (A-A) 1:10@A1



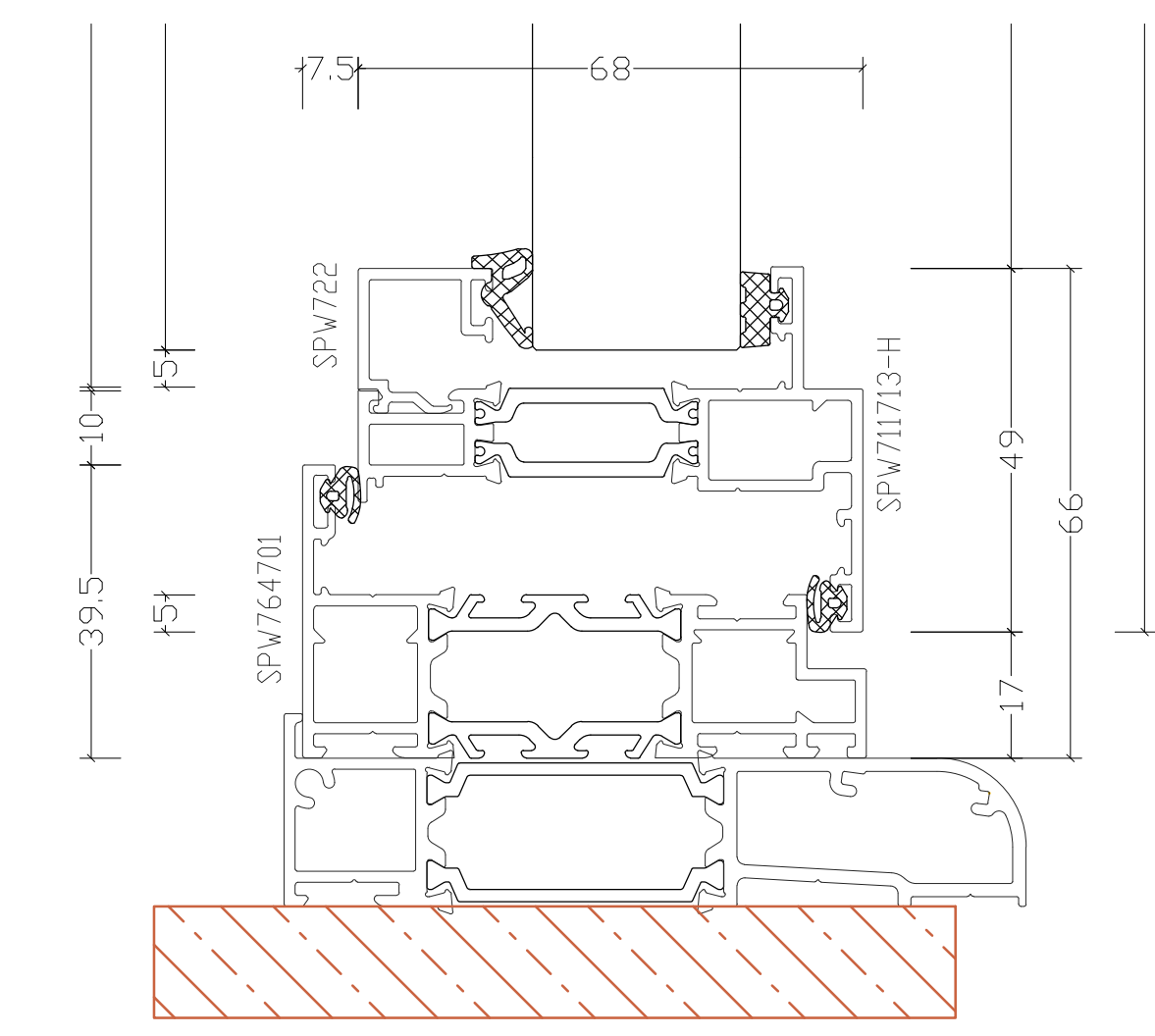
W1.02 - Plan (B-B) 1:10@A1



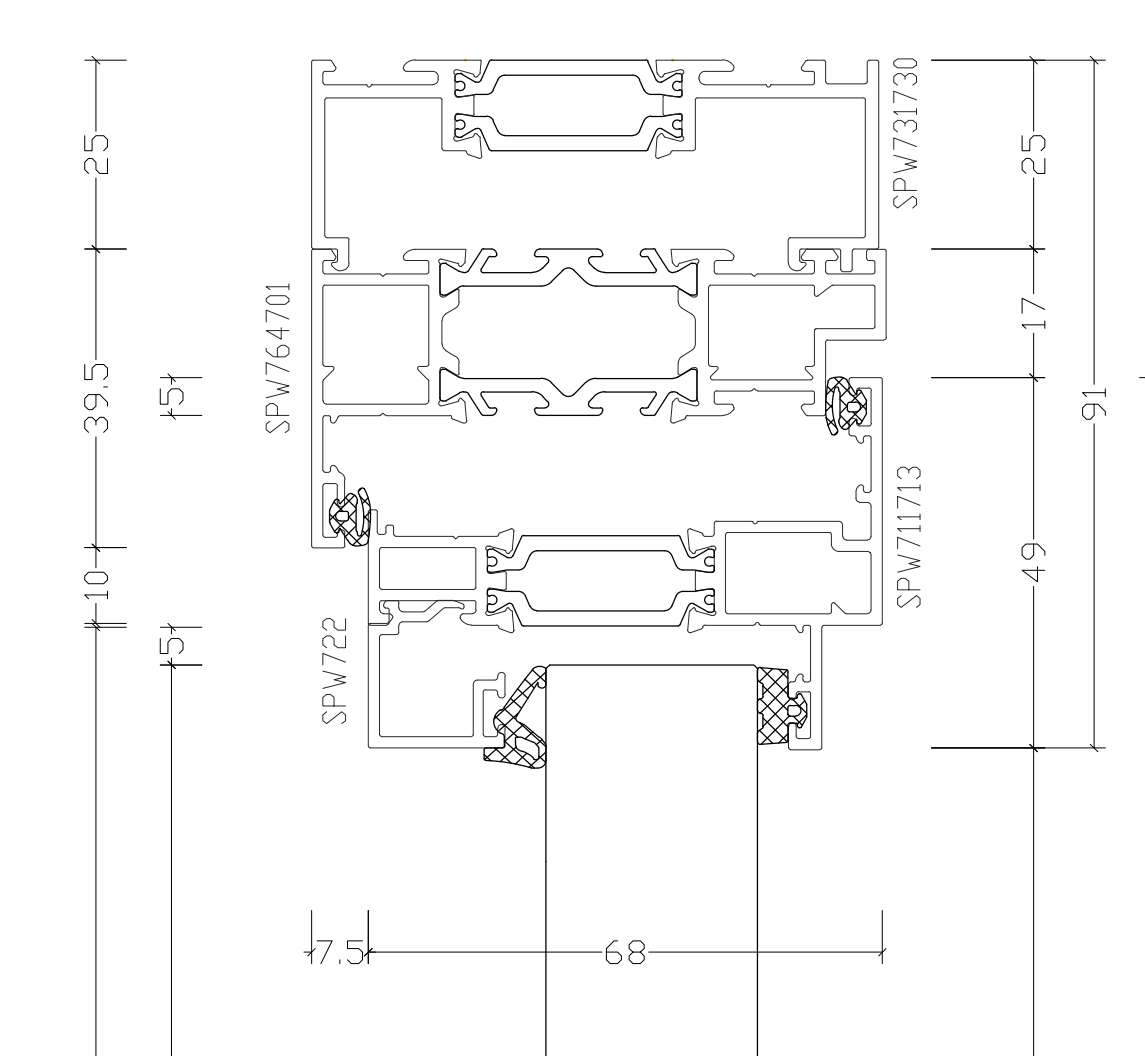
North West Elevation 1:100@A1



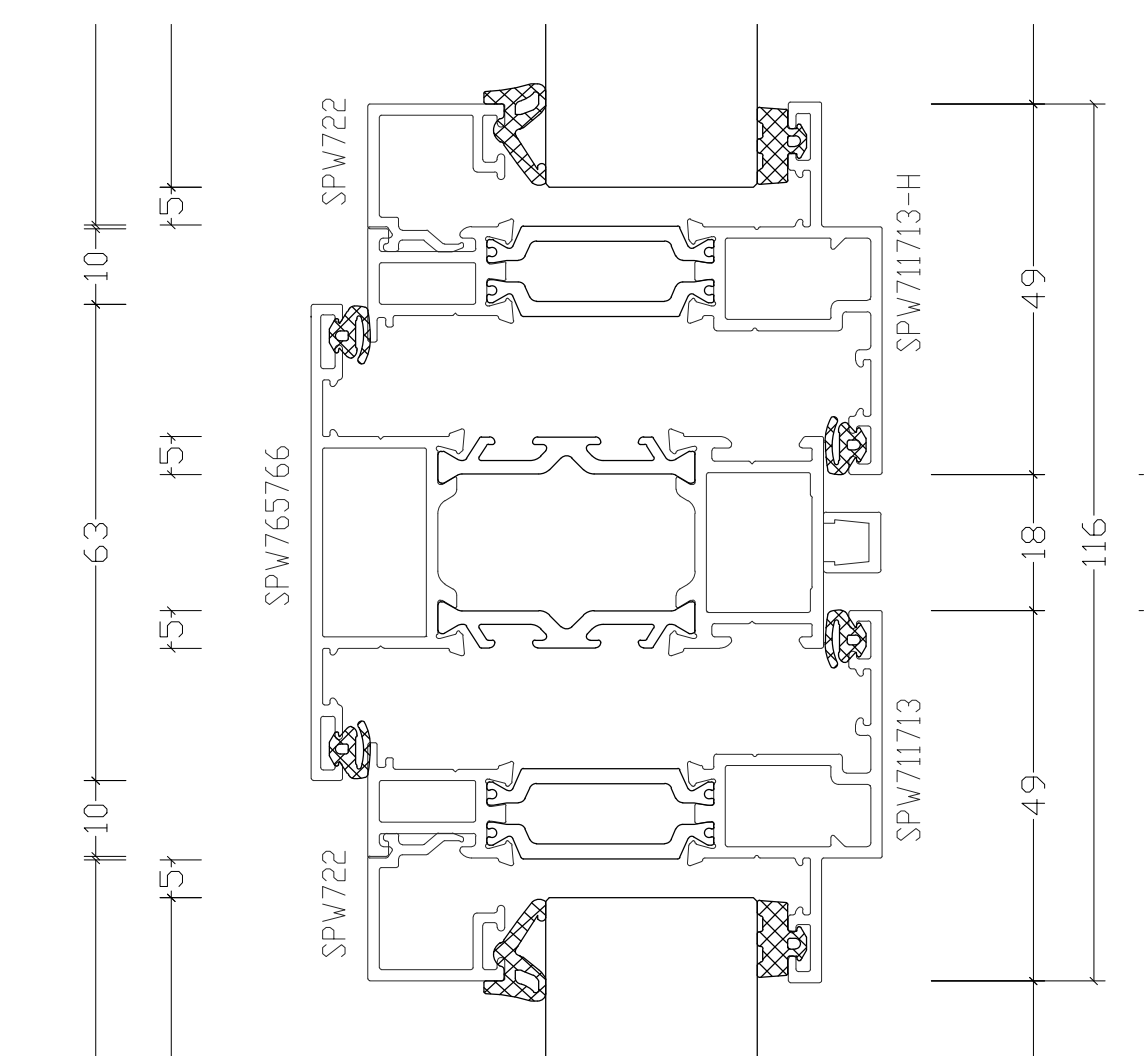
Detail 01 - Reveal Detail 1:1@A1



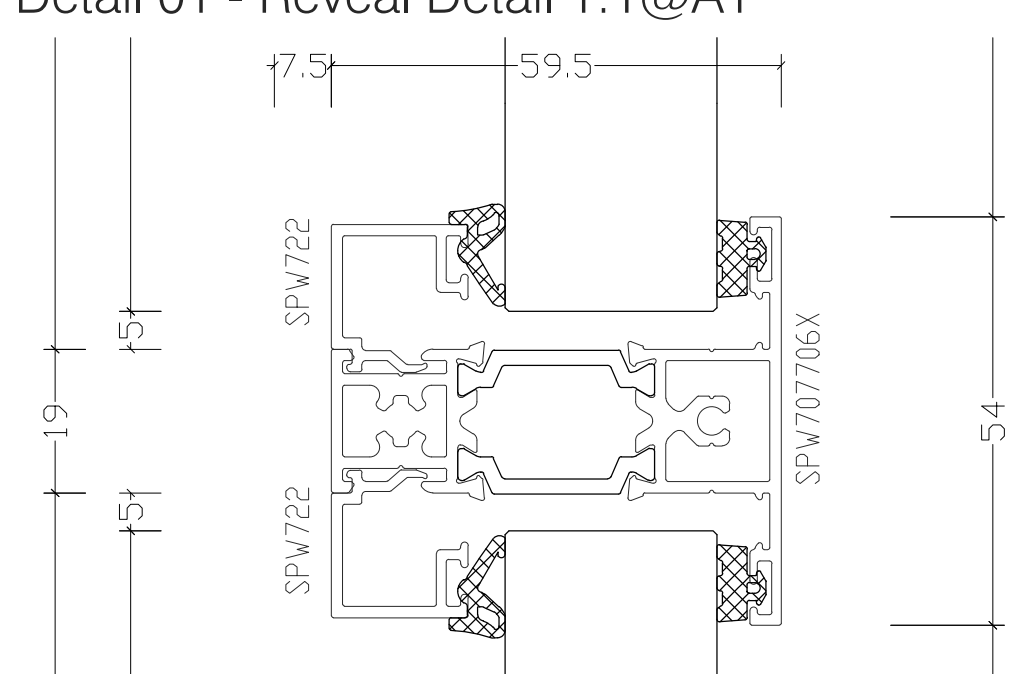
Detail 02 - Basal Detail 1:1@A1



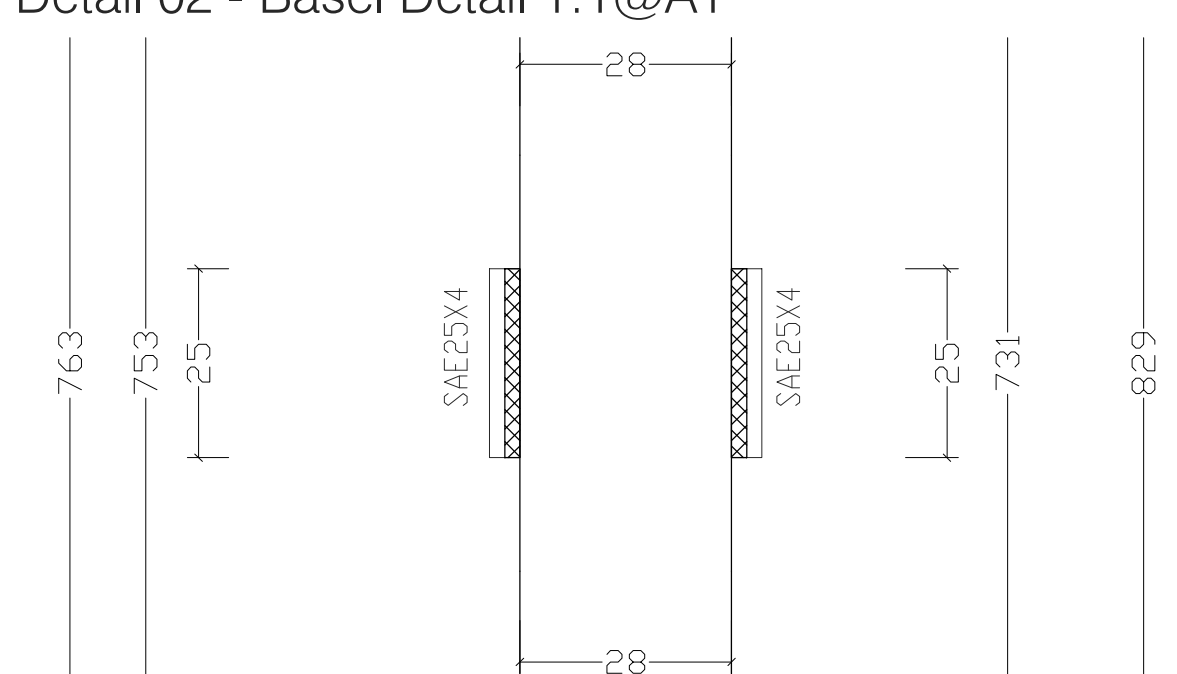
Detail 05 - Head Detail 1:1@A1



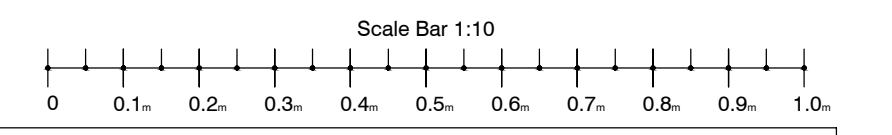
Detail 06 - Transome Detail 1:1@A1



Detail 03 - Transome Detail 1:1@A1



Detail 04 - Transome Detail 1:1@A1



CONDITION DISCHARGE

CONTRACT	SCALE	1:10@A1/1:20@A3
BAPS Cultural Centre	DATE	Feb 2025
25 Old Gloucester Street	DRAWN	MR
WC1N 3AF	CHECKED	WJB
TITLE	DRAWING No	23165_PL610
Window Details	REVISION	