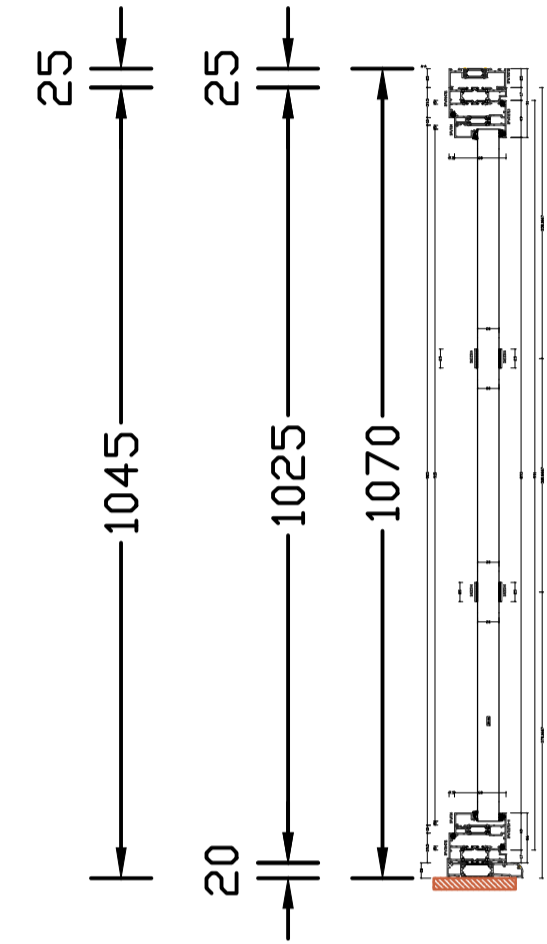


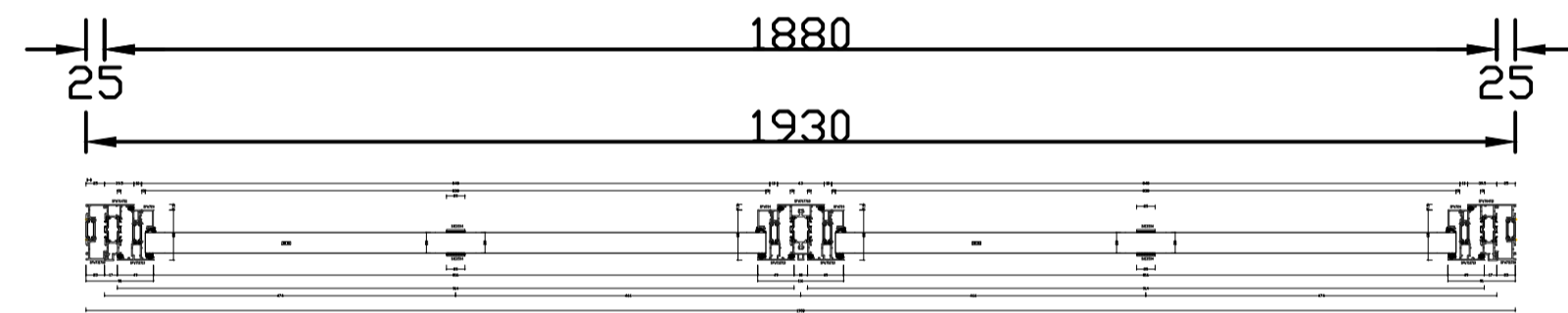
WM.05 - Window Elevation (Exterior View) 1:10@A1



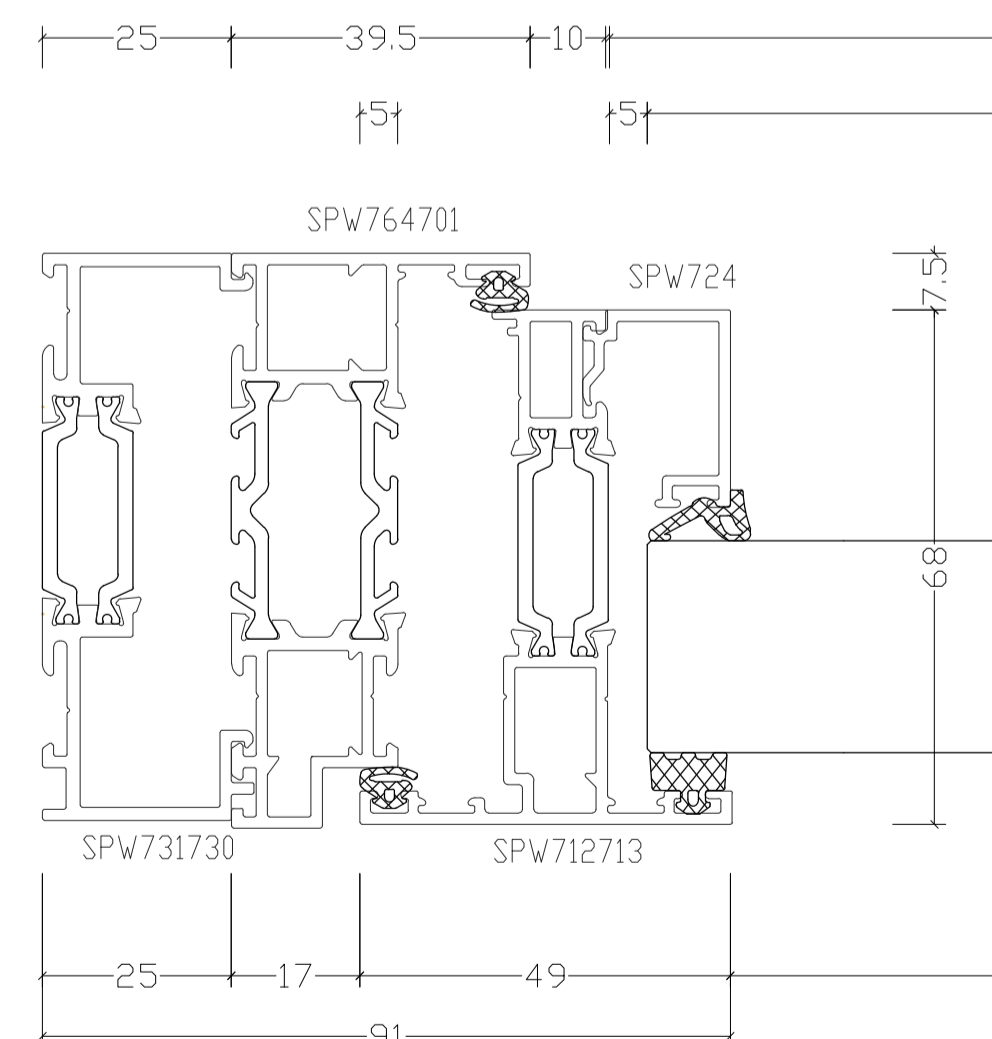
WM.05 - Section (A-A) 1:10@A1



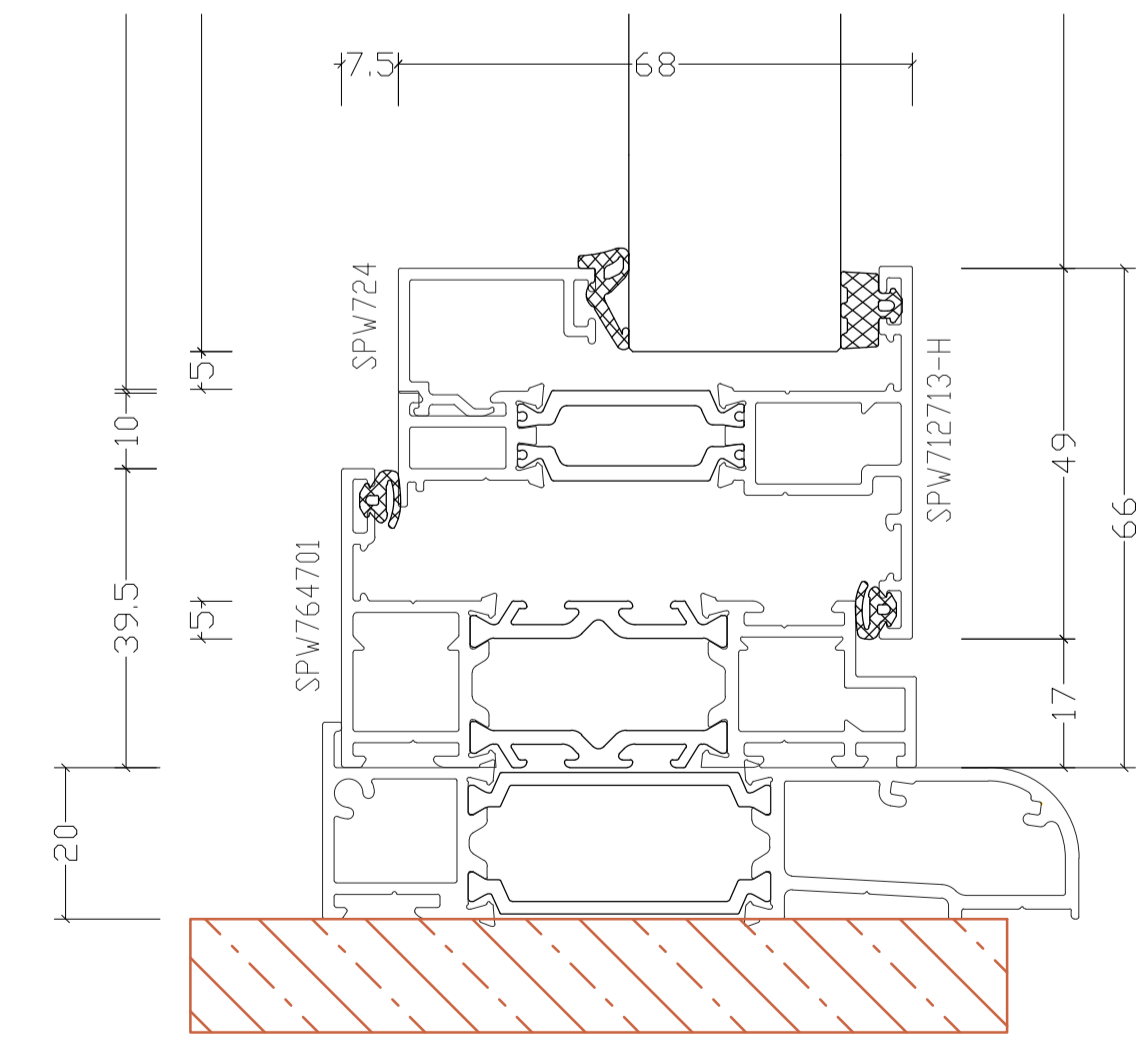
South East Elevation 1:100@A1



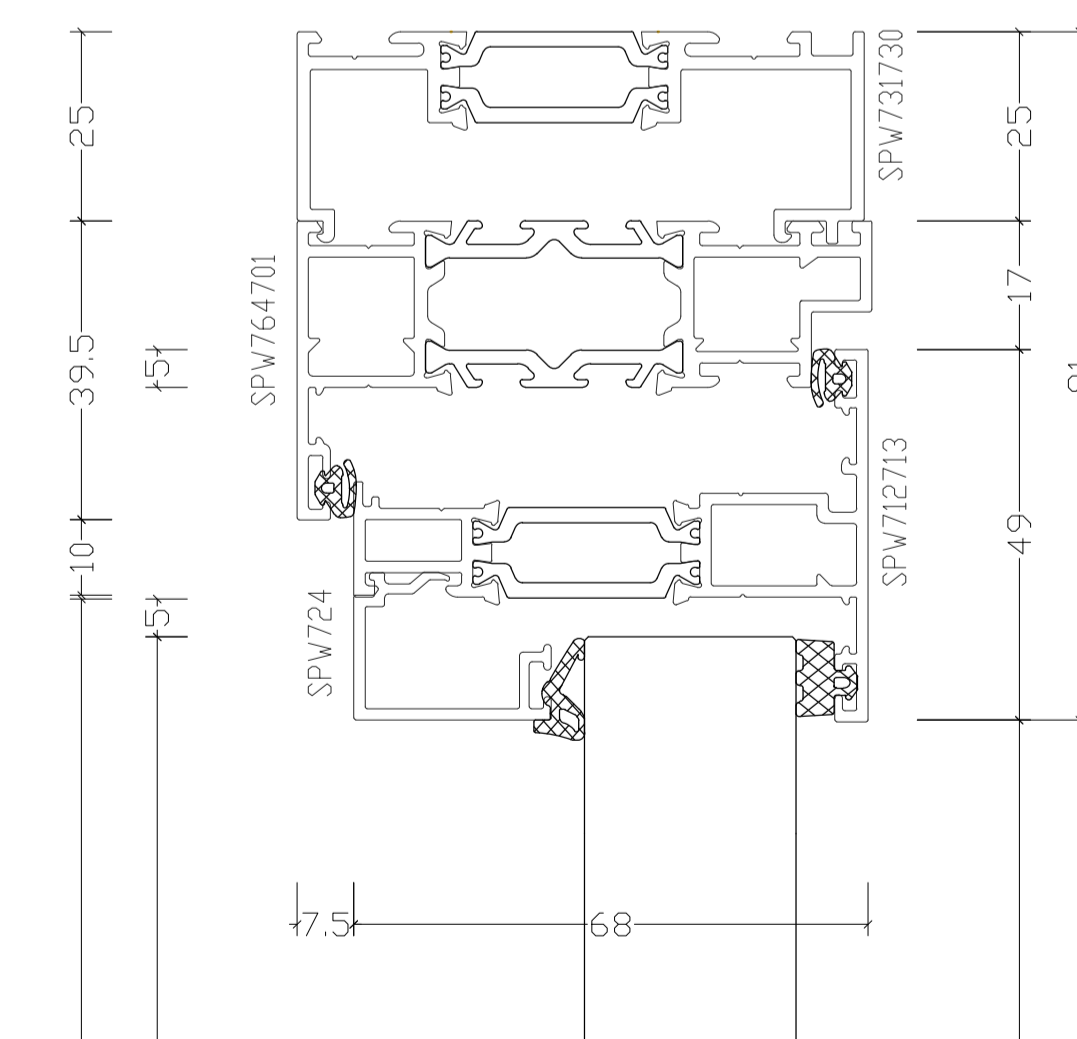
WM.05 - Plan (B-B) 1:10@A1



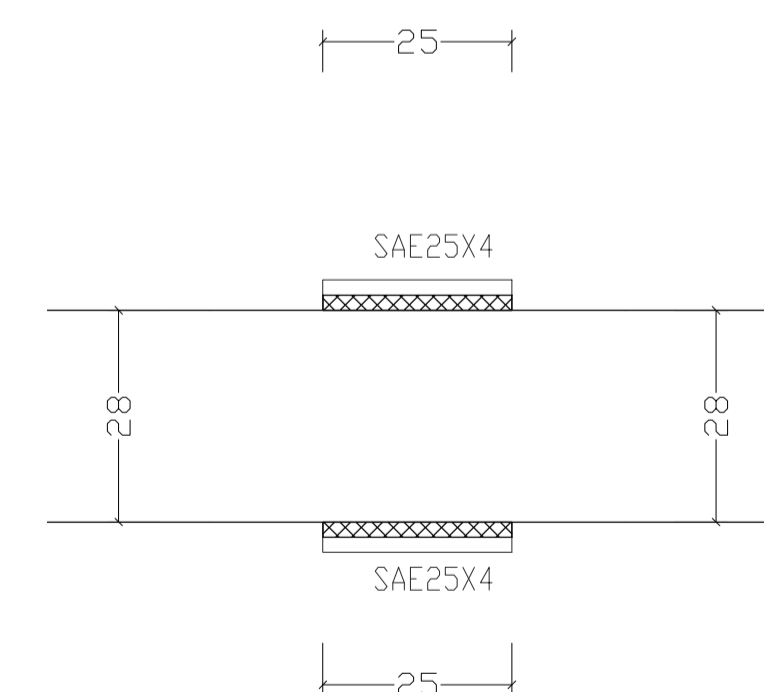
Detail 01 - Reveal Detail 1:1@A1



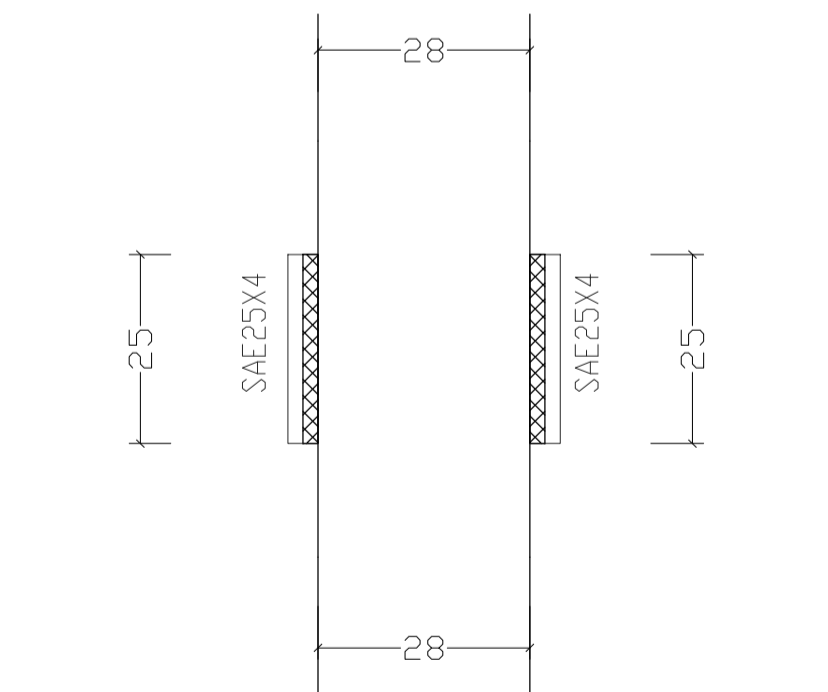
Detail 02 - Basel Detail 1:1@A1



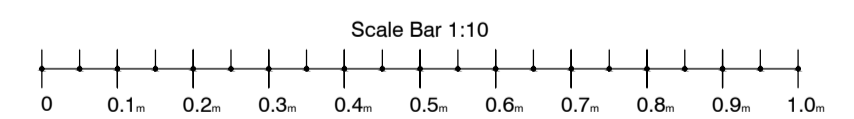
Detail 03 - Head Detail 1:1@A1



Detail 04 - Transome Detail 1:1@A1



Detail 05 - Transome Detail 1:1@A1



## CONDITION DISCHARGE

CONTRACT	BAPS Cultural Centre 25 Old Gloucester Street WC1N 3AF	SCALE	1:10@A1/1:20@A3
DATE	Feb 2025	DRAWN	MR
CHECKED	WJB	TITLE	Window Details
DRAWING No	23165_PL608	REVISION	