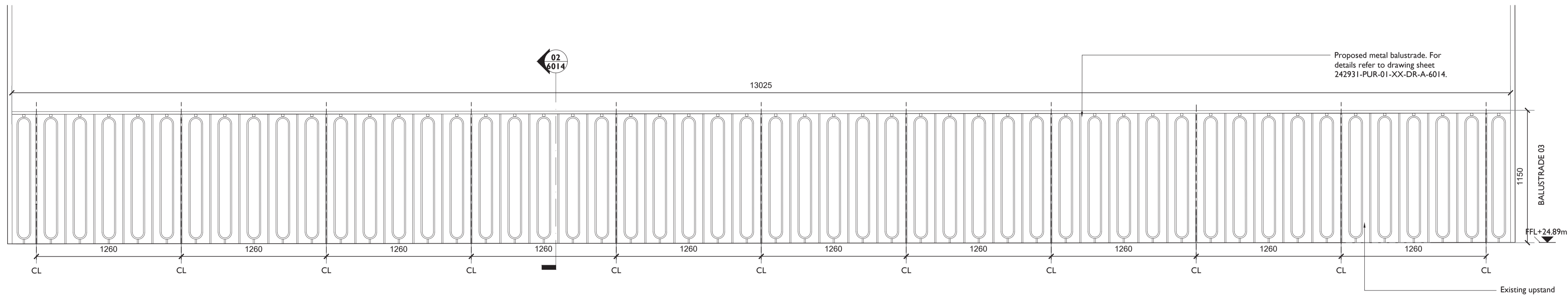
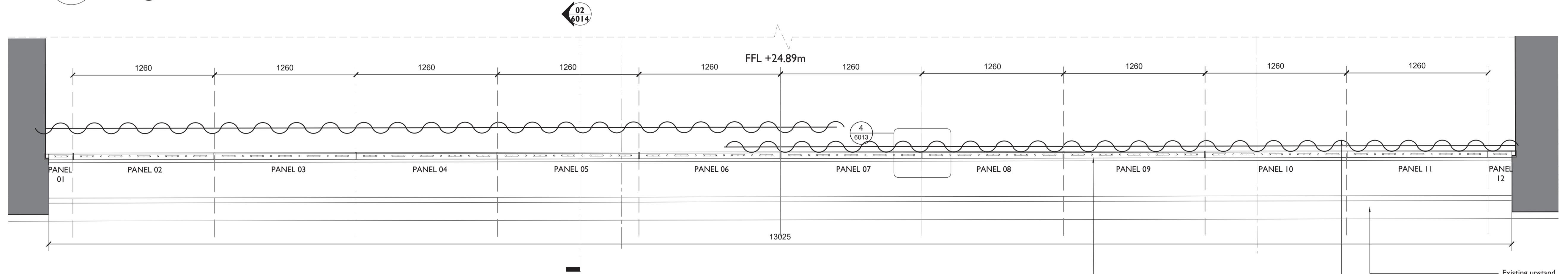


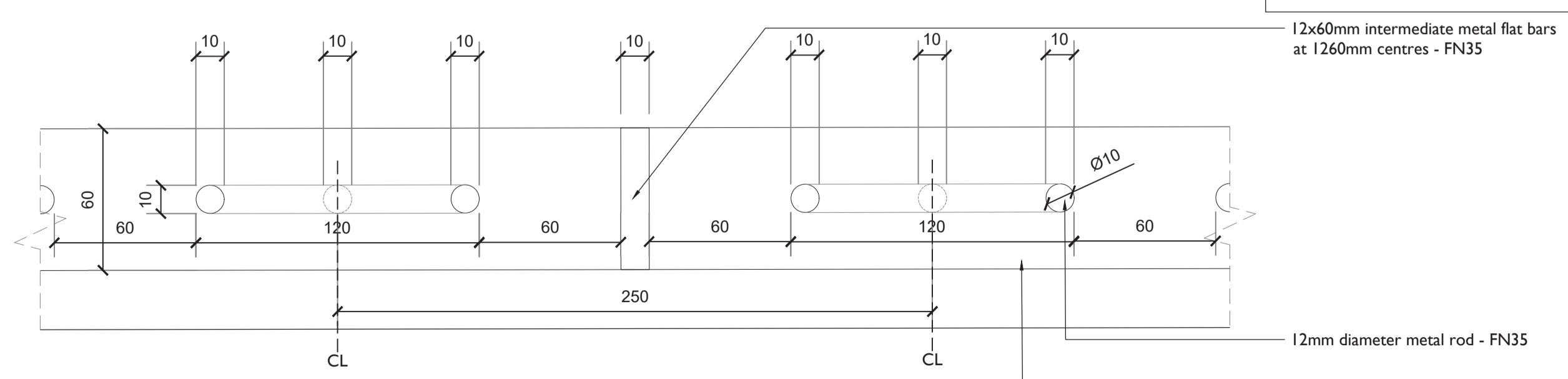
1 1F BALUSTRADE - FRONT ELEVATION
6013 1:20 @ A1



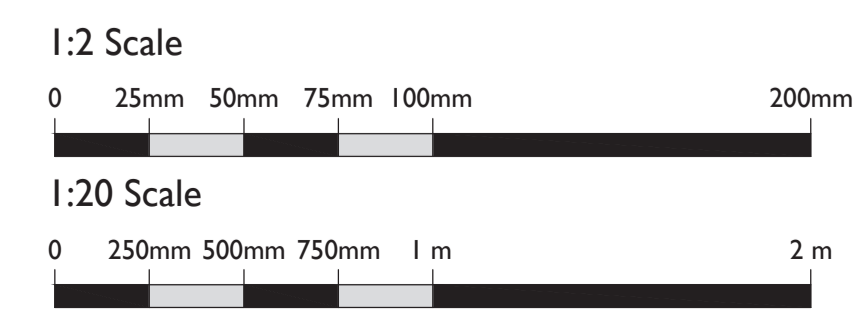
2 1F BALUSTRADE - REAR ELEVATION/Walkway side
6013 1:20 @ A1



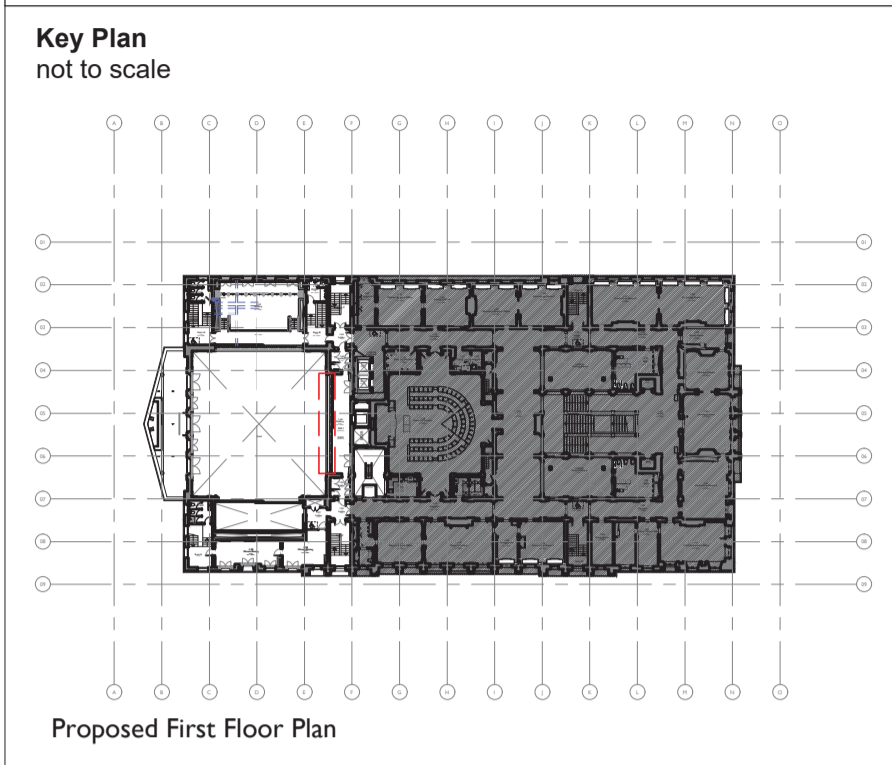
3 1F BALUSTRADE - PLAN
6013 1:20 @ A1



4 METAL BALUSTRADE - PLAN DETAIL
6013 1:2 @ A1



Notes:
Drawings are based on survey data and may not accurately represent what is physically present.
Do not scale from this drawing. All dimensions are to be verified on site before proceeding with the work.
All dimensions are in millimetres unless noted otherwise.
Purcell shall be notified in writing of any discrepancies.



Note:
This drawing captures design intent only. All dimensions are to be checked on site and manufacturer's drawings and loading calculations are to be submitted for approval prior to construction. Metal & glazed railings and fixings to be designed to meet the loading, deflection and impact requirements set out in BS6180:2011 for installation in 'Areas susceptible to overcrowding - assembly areas'



Waxed blackened steel to balustrade and handrail as referenced by FN-35 throughout drawing

REV	DATE	BY	CHK	DESCRIPTION
C03	06.12.2024	OB	JE	Building Control updates
C02	30.08.2024	SM	OB	Client design update
C01	14.06.24	SM	NS	STAGE 4 ISSUE

CLIENT
Il Bottaccio

PROJECT
Camden Town Hall Tenant Fitout

JOB NUMBER
242931

PURCELL

TITLE
DETAIL - Camden Centre Balustrade

SIZE SCALE
A1L 1:5

REVISION/SUITABILITY/REASON FOR ISSUE
C03 A4 - Technical Design Approved

DRAWING NUMBER
242931-PUR-01-XX-DR-A-6013

PURCELL® IS THE REGISTERED TRADE NAME FOR PURCELL ARCHITECTURE LTD AND ALL SUBSIDIARY COMPANIES AND IS REGISTERED IN THE UNITED KINGDOM, EUROPEAN UNION, HONG KONG, CHINA AND AUSTRALIA. © PURCELL 2024. www.purcell.com