

BROOKVENT

airvent

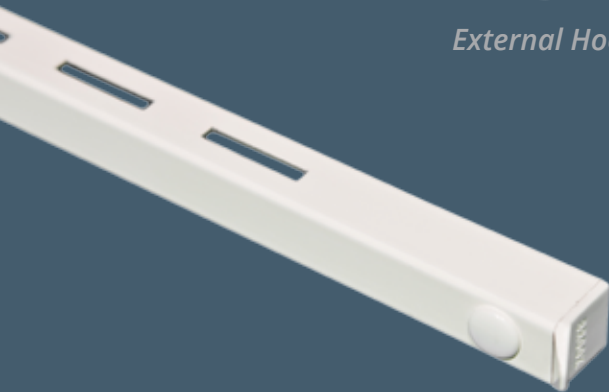
SM 1000



A slim, unobtrusive Surface Mounted vent complete with a thermal foam seal



External Hood



Internal Vent 







Internal Vent **FC**

Features

- Slimline vent
- Manual control
- Thermal foam seal (excl. Slot Trickle and Gas Option)
- Insect grille
- Double action close position
- Manufactured from extruded aluminium
- Polyester powder coated
- 10 Year Guarantee

Options

-  Ready-made & Bespoke Sizes
-  Bar Length
- FC** Fully Controllable Ventilation
-  Upward Deflecting Slot Trickle
-  Gas Regulation Vent
(See Gas Boiler Sheet)

Colours

-  White (HIPCA) RAL 9910 "Semi-gloss"
-  Black RAL 9005 "Semi-gloss"
-  Grey RAL 7016 "Matt"
-  Brown RAL 8017 "Semi-gloss"
-  Oak RAL 8003 "Semi-gloss"
-  Cream RAL 9001 "Semi-gloss"
-  Mill Finish

Bespoke Colours and Finishes Available

Slot Trickle Option

In the closed position the slot trickle option provides upward deflecting, draught free, ventilation up to 2500mm²/m (Open Area)

Air Permeability

50 Pa 0.14 l/s (Closed Position)

Tested to BS EN 13141-1

Water Tightness

Pressure @ No Leakage 600 Pa

Tested to BS EN 13141-1

Geometric Modular Sizes

| Geometric Open Area | Equivalent Area | Overall Slot Size | Overall Vent Length | Overall Hood Length |
|---------------------|---------------------|-------------------|---------------------|---------------------|
| 2000mm ² | 1417mm ² | 10mm x 205mm | 260mm | 250mm |
| 3000mm ² | 2204mm ² | 10mm x 305mm | 360mm | 350mm |
| 4000mm ² | 2985mm ² | 10mm x 405mm | 460mm | 450mm |
| 5000mm ² | 3676mm ² | 10mm x 505mm | 560mm | 550mm |
| 6000mm ² | 4492mm ² | 10mm x 605mm | 660mm | 650mm |

☰ Bespoke sizes available

Equivalent Modular Sizes

| Equivalent Area | Geometric Open Area | Overall Slot Size | Overall Vent Length | Overall Hood Length |
|---------------------|---------------------|-------------------|---------------------|---------------------|
| 2500mm ² | 3450mm ² | 10mm x 345mm | 400mm | 390mm |
| 3000mm ² | 4150mm ² | 10mm x 415mm | 470mm | 460mm |
| 3500mm ² | 4850mm ² | 10mm x 485mm | 540mm | 530mm |
| 4000mm ² | 5550mm ² | 10mm x 555mm | 610mm | 600mm |

☰ Bespoke sizes available

Acoustics

Under normal conditions the airvent SM 1000 achieved the following Sound Reduction results:

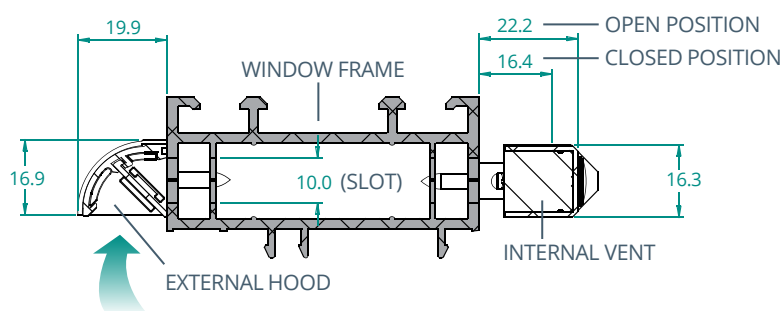
| Position | Acoustic Detail |
|----------|--------------------|
| OPEN | Up to 32 db Dnt Rw |
| CLOSED | Up to 43 db Dnt Rw |
| OPEN | Up to 29 db Dne W |
| CLOSED | Up to 47 db Dne W |

Acoustic test data available upon request

Bar Length

Internal vent 2.87m / External hood 2.6m

Cross Section Dimensions



Dimensions in mm



air window ventilation range