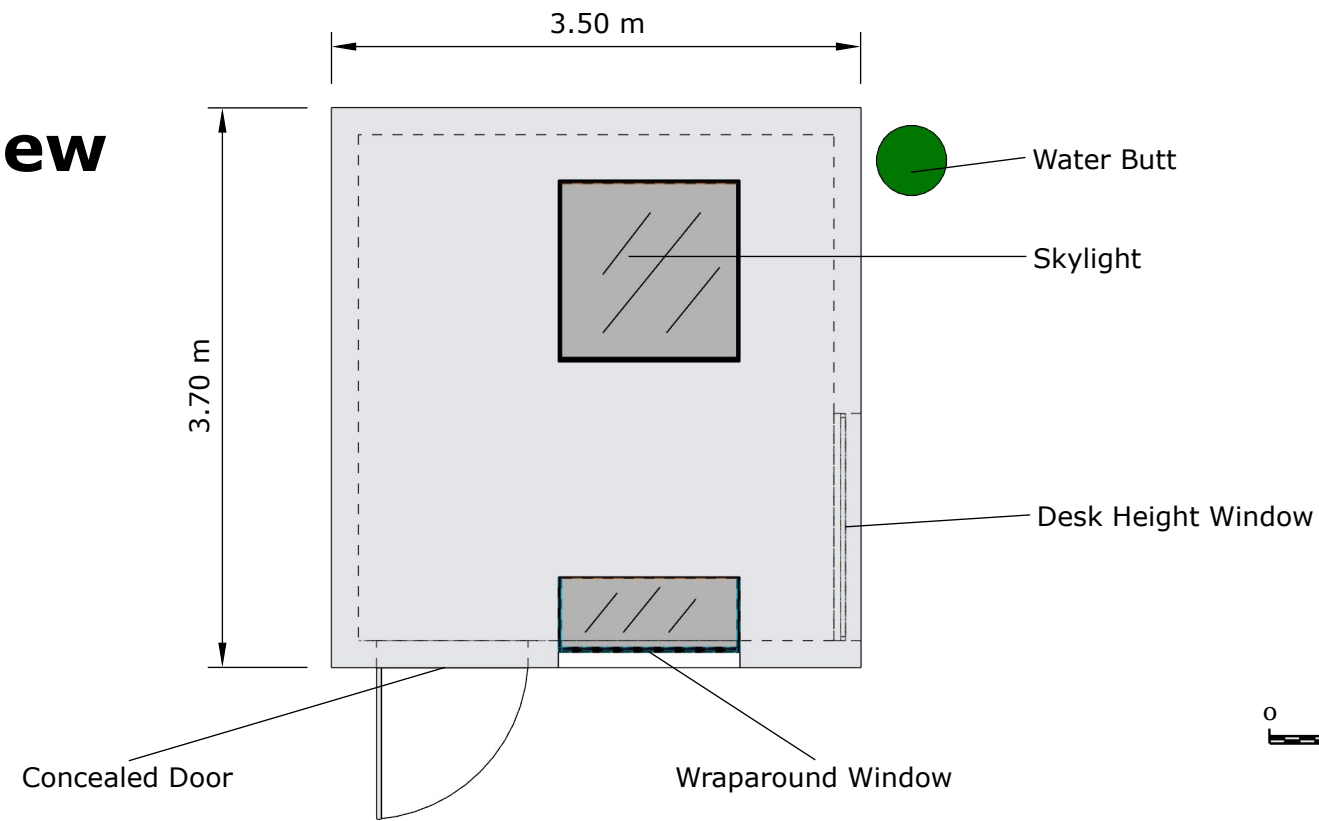


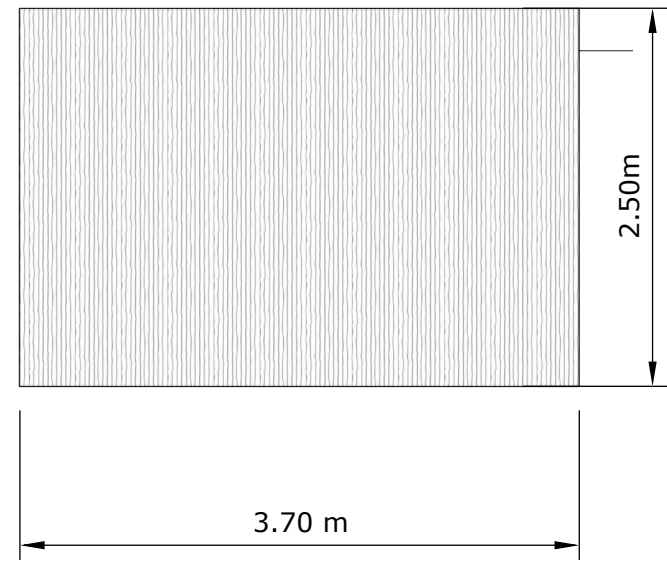
Plan View



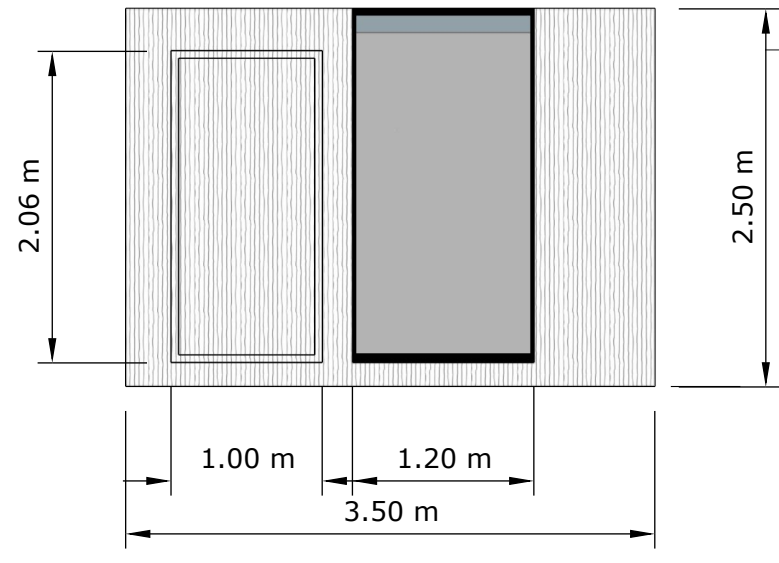
Drawing: Proposed Elevations and Roof Plan



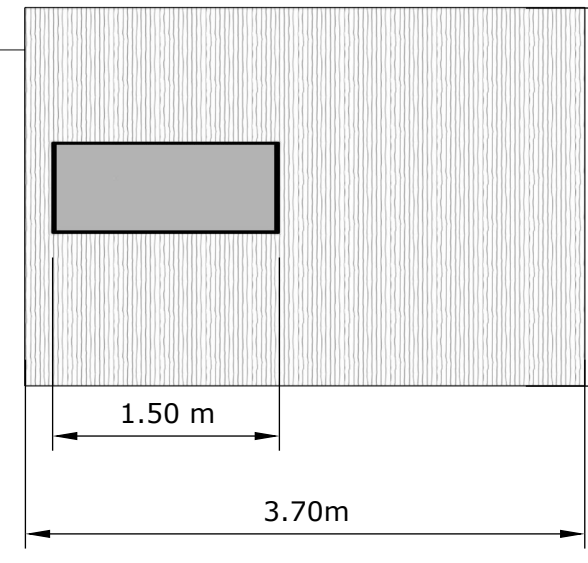
SCALE BAR 1:50



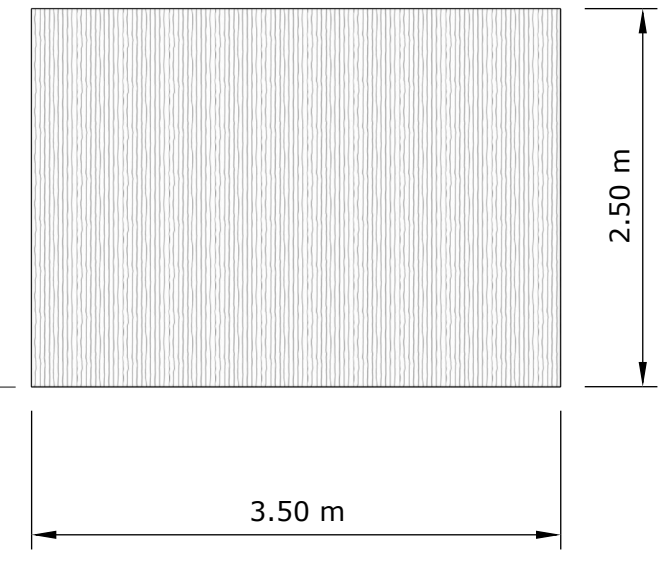
Left Elevation



Front Elevation



Right Elevation



Back Elevation



London Garden Rooms
221 High Road
South Woodford
E18 2PB

Client:
Nadim El Gabbani
21 St Marks Crescent
London
NW1 7TU

Project:
Proposed Garden Room
Elevations

Drawn by:
London Garden Rooms

Description:
Details of proposed
garden room for
planning approval

Issue date:
14.01.2025

DWG No:
NG001

Scale:
1:50/A3