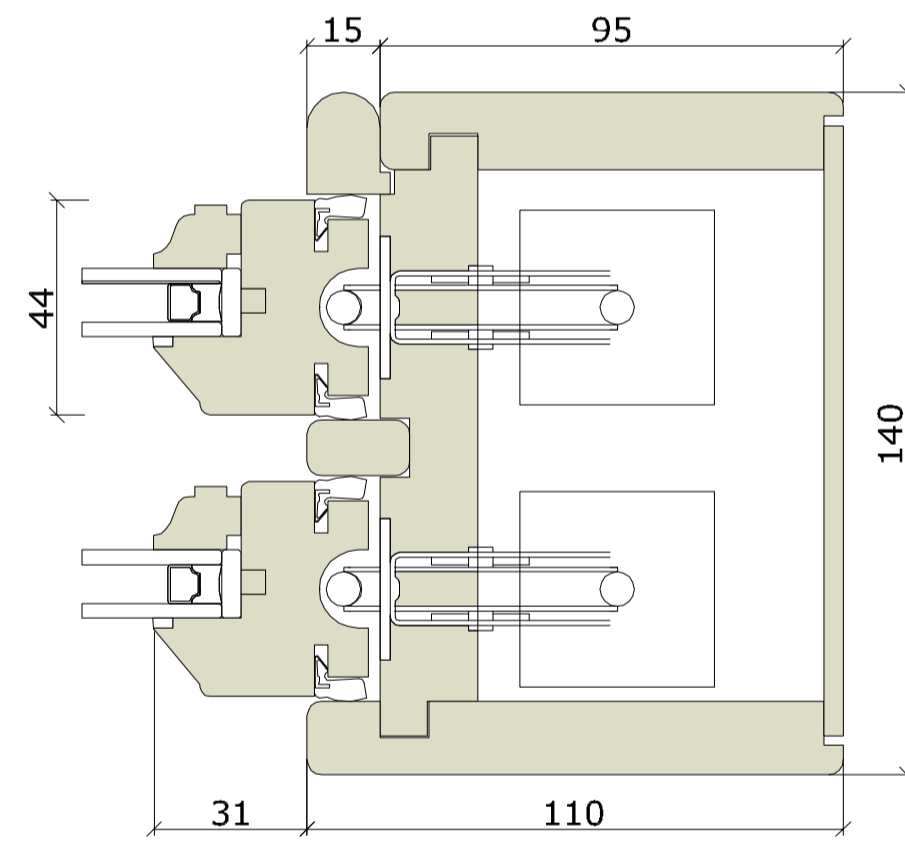
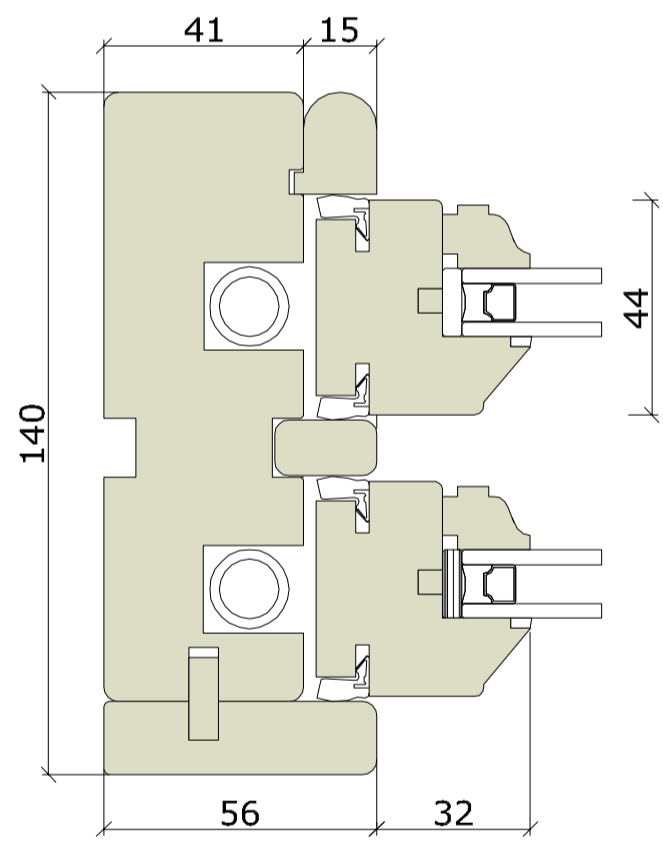
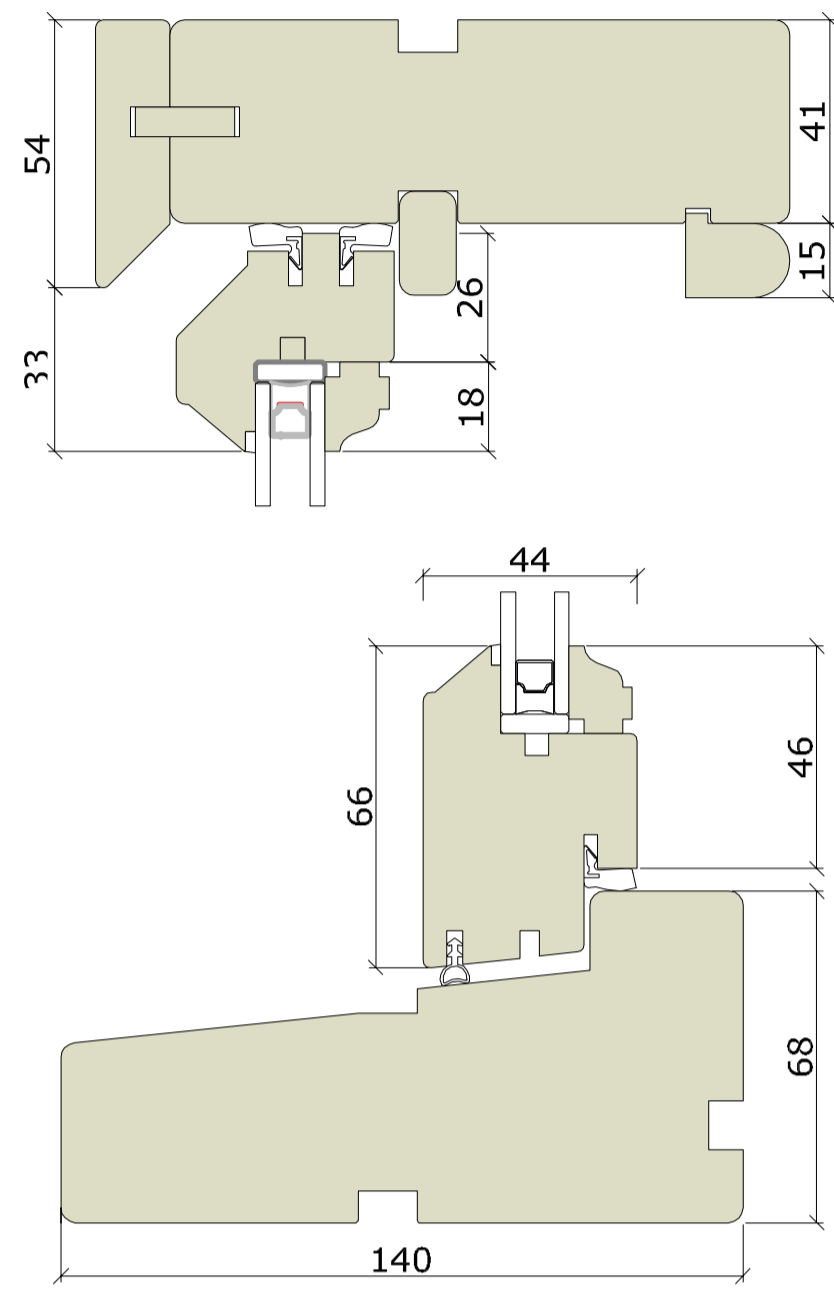
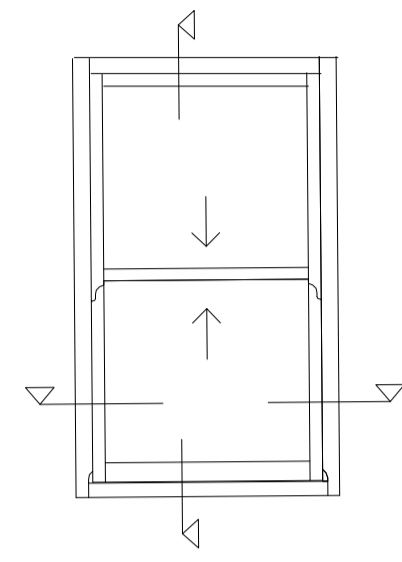
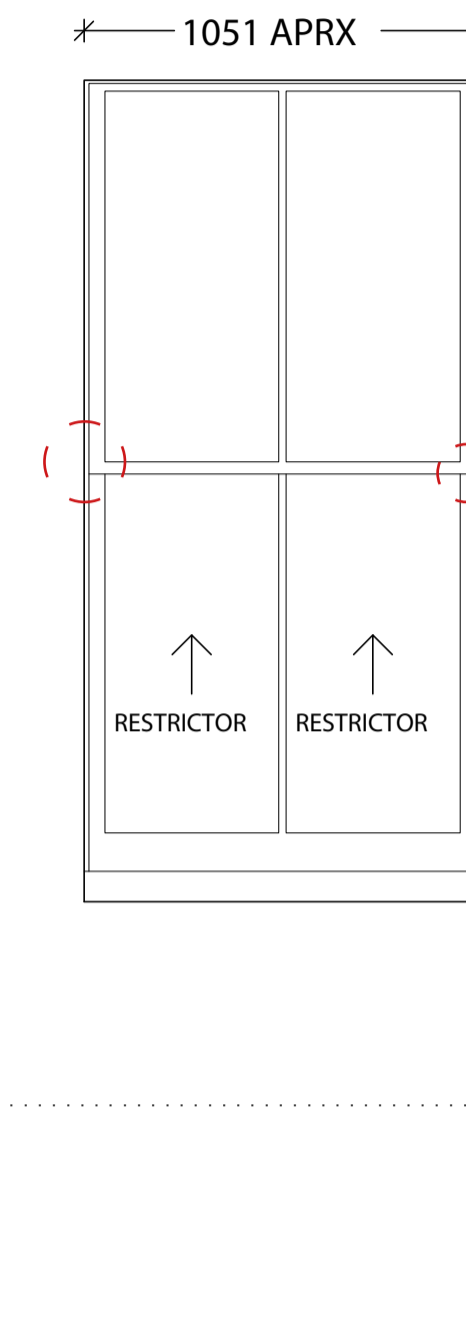
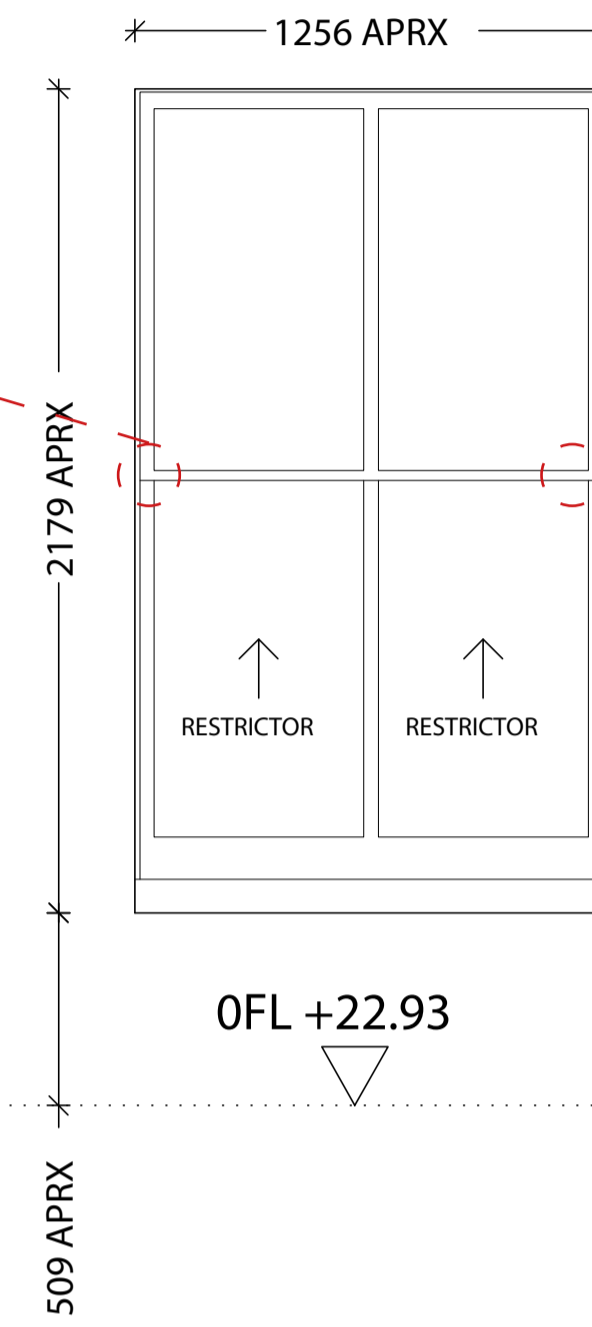
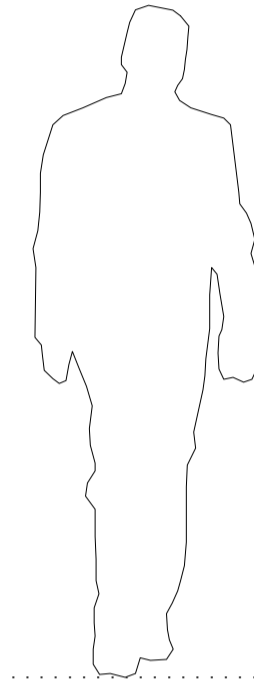
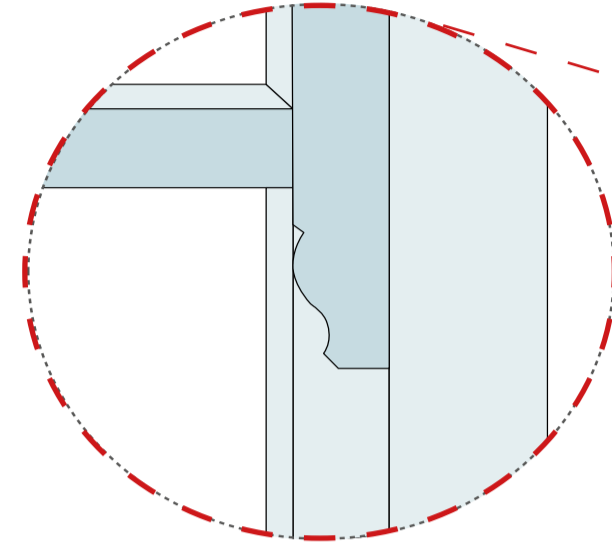


Heritage Sliding Sash



Zoom in of proposed horn detail



wG 01 & 02

NORHTINGTON STREET ELEVATION

2 NO. 'BERECO' SUPPLIED DOUBLED GLAZED TIMBER SASH WINDOWS TO MATCH EXISTING. INCLUDE FOR TRADITIONAL MOULDINGS AND GLAZING BARS.

FULLY FACTORY FINISHED, SW TIMBER, COLOUR TBC

CORD AND WEIGHT (EXTERNAL VIEW ILLUSTRATED) INCLUDE FOR 47MM CILL EXTENSION

OPENING BOTTOM AND TOP SASH. BOTTOM SASH WITH RESTRICTOR - MAXIMUM 100MM OPENING

SATIN CHROME IRONMONGERY

U-VALUE 1.2W/M2K

INTEGRATED TRICKLE VENT

TO MEET SECURITY REQUIREMENTS OF PAS24:2016

wG..03-05

NORHTINGTON STREET ELEVATION

3 NO. 'BERECO' SUPPLIED DOUBLED GLAZED TIMBER SASH WINDOWS TO MATCH EXISTING. INCLUDE FOR TRADITIONAL MOULDINGS AND GLAZING BARS.

FULLY FACTORY FINISHED, SW TIMBER, COLOUR TBC

CORD AND WEIGHT (EXTERNAL VIEW ILLUSTRATED) INCLUDE FOR 47MM CILL EXTENSION

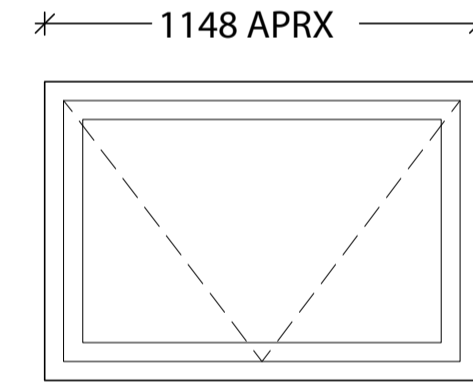
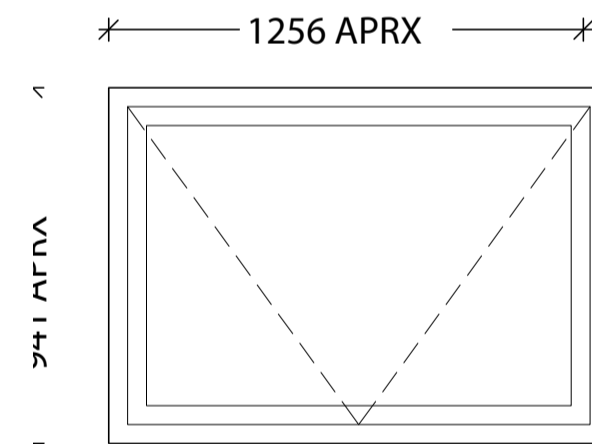
OPENING BOTTOM AND TOP SASH. BOTTOM SASH WITH RESTRICTOR - MAXIMUM 100MM OPENING

SATIN CHROME IRONMONGERY

U-VALUE 1.2W/M2K

INTEGRATED TRICKLE VENT

TO MEET SECURITY REQUIREMENTS OF PAS24:2016



1400 AT FL

-1FL +20.12

-wLG.01 & 02

NORHTINGTON STREET ELEVATION

2 NO. 'BERECO' SUPPLIED DOUBLED GLAZED TOP HUNG TIMBER WINDOWS TO MATCH EXISTING. INCLUDE FOR TRADITIONAL MOULDINGS.

FULLY FACTORY FINISHED, SW TIMBER, COLOUR TBC

SATIN CHROME IRONMONGERY, INCLUDING PULL RING HOOK

U-VALUE 1.2W/M2K

INTEGRATED TRICKLE VENT

RETAIN EXTERNAL MOUNTED GUARD RAILINGS (NOT SHOWN)

TO MEET SECURITY REQUIREMENTS OF PAS24:2016

-wLG.03 -05

NORHTINGTON STREET ELEVATION

3 NO. 'BERECO' SUPPLIED DOUBLED GLAZED TOP HUNG TIMBER WINDOWS TO MATCH EXISTING

FULLY FACTORY FINISHED, SW TIMBER, COLOUR TBC

SATIN CHROME IRONMONGERY, INCLUDING PULL RING HOOK

U-VALUE 1.2W/M2K

INTEGRATED TRICKLE VENT

RETAIN EXTERNAL MOUNTED GUARD RAILINGS (NOT SHOWN)

TO MEET SECURITY REQUIREMENTS OF PAS24:2016

Section through proposed window

NOTES

DO NOT SCALE OFF THIS DRAWING

ALL INDICATED DIMENSIONS TO BE CHECKED AND VERIFIED ON SITE BY THE MAIN CONTRACTOR BEFORE COMMENCEMENT OF ANY FABRICATION DRAWINGS OR WORK ON SITE.

REPORT ALL DISCREPANCIES TO THE ARCHITECT IMMEDIATELY.

THIS DRAWING IS TO BE READ IN CONJUNCTION WITH ALL RELATED ARCHITECTURAL AND STRUCTURAL ENGINEERING DRAWINGS, DETAILS AND OTHER RELEVANT INFORMATION.

NOTES

ALL WINDOW GLAZING UP TO 800MM FROM FFL TO BE TOUGHENED SAFETY GLASS WITH JUSTIFICATION TO ACT AS GUARDING - CONFIRMING WINDOWS ARE CAPABLE OF WITHSTANDING THE LOADINGS SET OUT IN BS EN 1991-1-1

WINDOW ELEVATIONS SHOW EXTERNAL VIEW TO BE READ IN CONJUNCTION WITH GA ELEVATIONS

ALL SAFETY GLASS TO HAVE REGISTERED SAFETY GLASS KITE MARK

ALL NEW CLEAR GLAZED WINDOWS TO HABITABLE ROOMS TO HAVE OPENABLE VENT OF 1/20TH FLOOR AREA

ANY VARIATION FROM DIMENSIONS OR SPECIFICATION TO BE AGREED WITH ARCHITECT PRIOR TO MANUFACTURE.

ALL DIMENSIONS ARE APPROXIMATE (FOR THE PURPOSE OF COSTING) UNLESS STATED OTHERWISE AND RELATE TO STRUCTURAL OPENINGS - ALL TBC ON SITE

ALL EXISTING WINDOW OPENINGS TO BE REPLACED TO BE PROFESSIONALLY SURVEYED PRIOR TO MANUFACTURING WINDOWS

ALL NEW EXTERNAL WINDOW AND DOOR UNITS TO HAVE A U-VALUE 1.2W/M²K OR BETTER

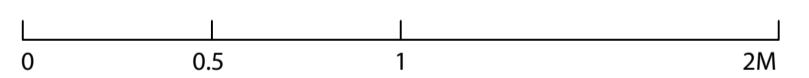
MAXIMUM WINDOW HANDLE HEIGHT TO BE 1200MM FROM FFL

WINDOWS AND DOORS WHICH ARE EASILY ACCESSIBLE MUST MEET OR EXCEED THE SECURITY REQUIREMENTS OF PAS24:2016.

TIMBER WINDOWS TO ONLY USE FSC 100% CERTIFIED TIMBER

WORKING DRAWING 27.01.2025

REV	DATE	DESCRIPTION
-----	------	-------------



PROJECT NO
9 Norhtington Street, 1896
London, WC1N 2JF

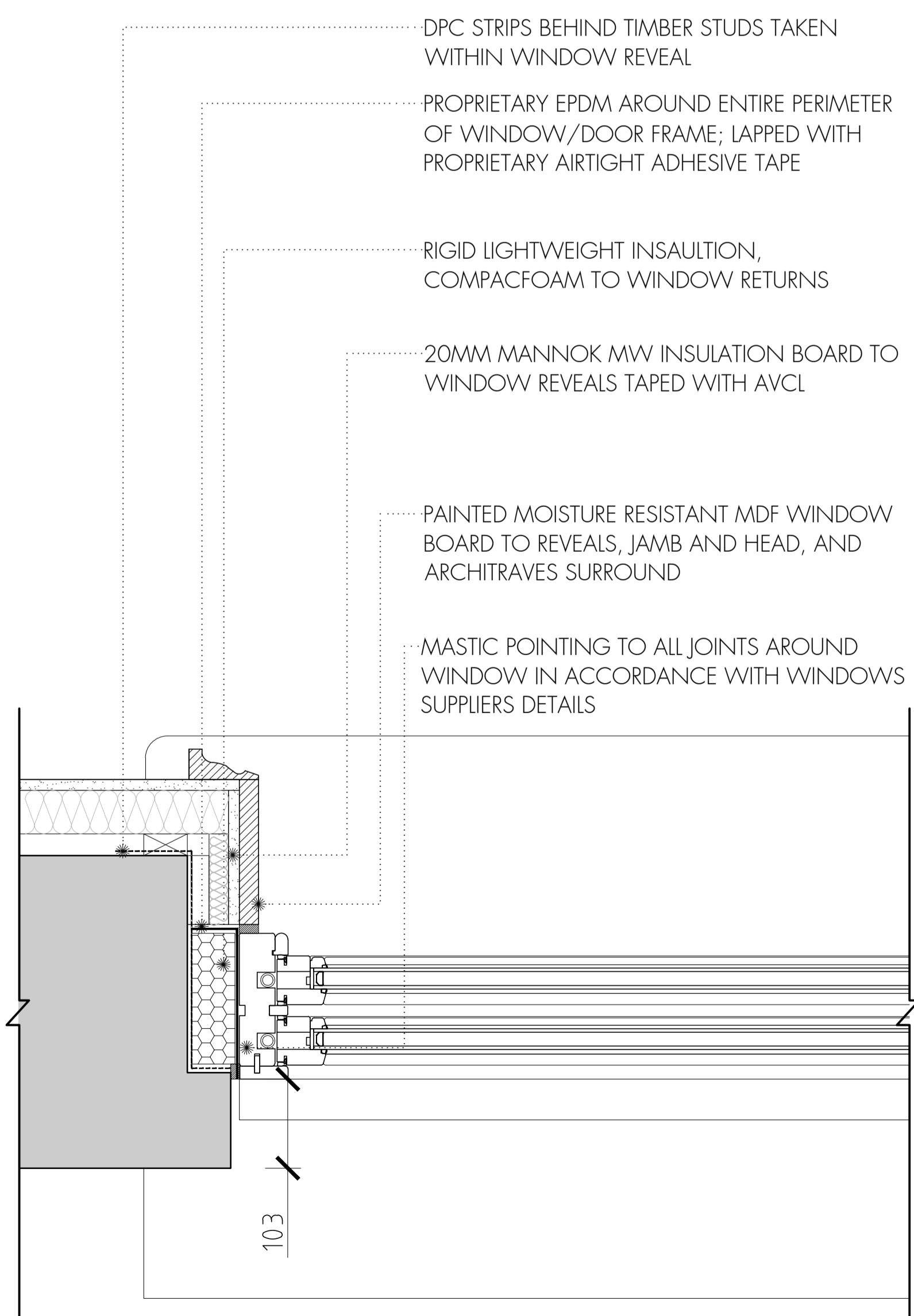
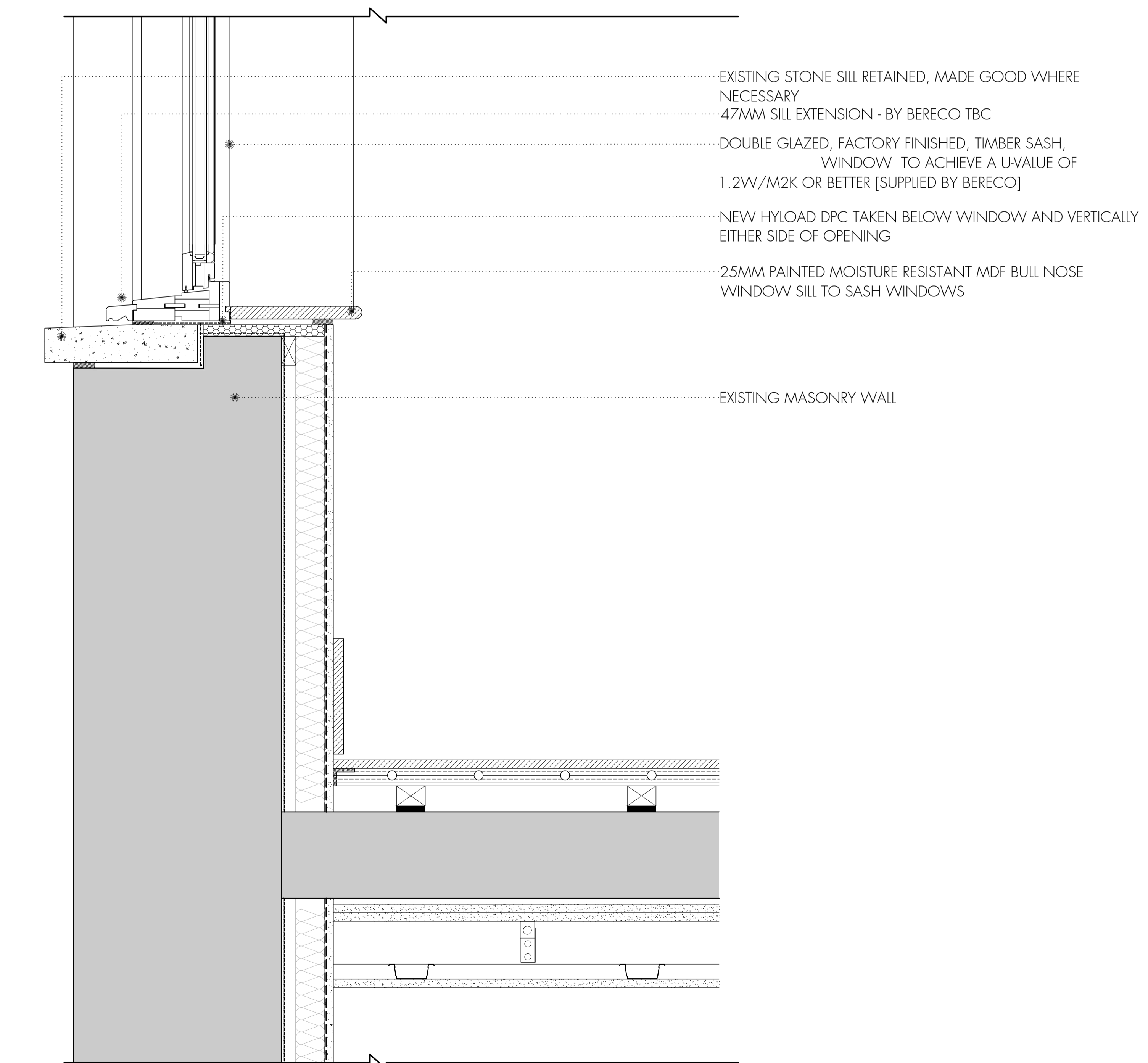
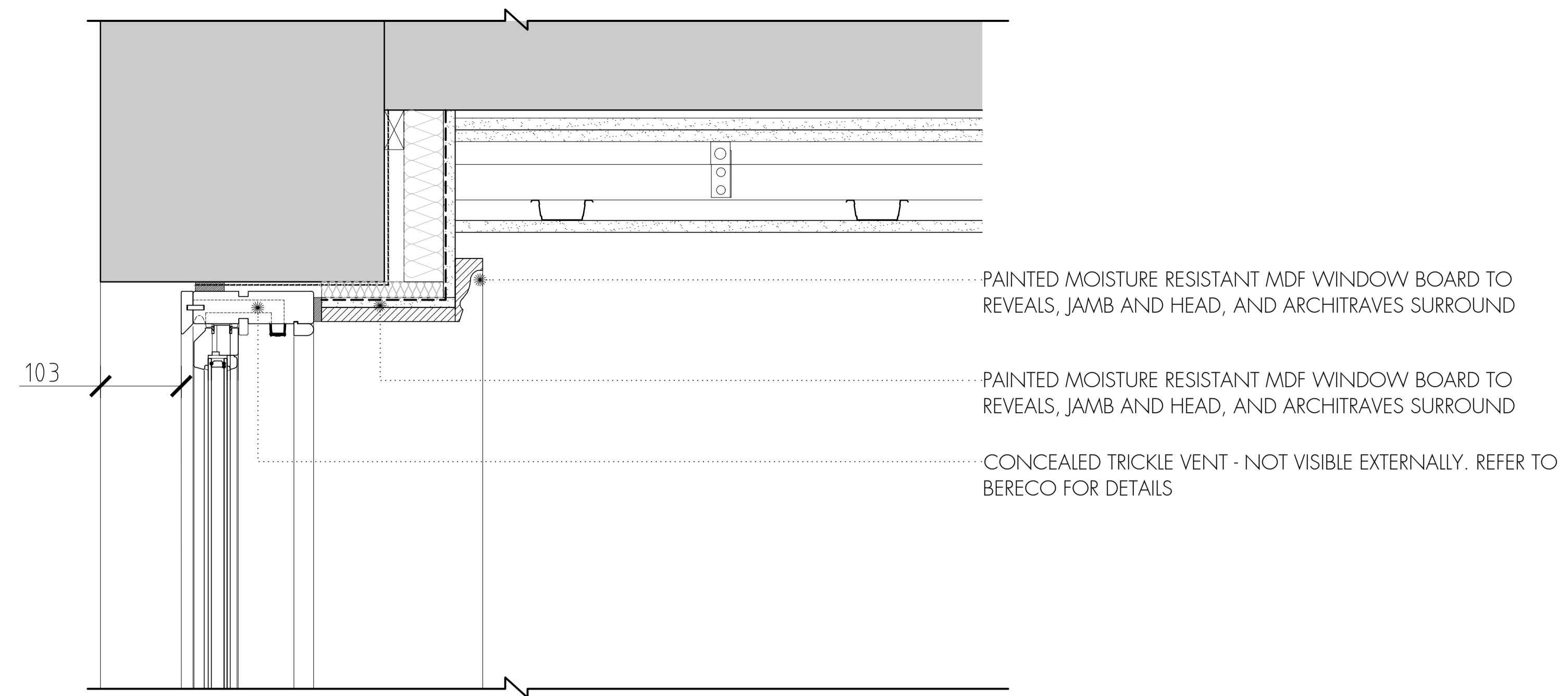
DRAWING NO
Window Schedule WS.01
Basement & Ground Floors

DO NOT SCALE OFF THIS DRAWING

ALL INDICATED DIMENSIONS TO BE CHECKED AND VERIFIED ON SITE BY THE MAIN CONTRACTOR BEFORE COMMENCEMENT OF ANY FABRICATION DRAWINGS OR WORK ON SITE.

REPORT ALL DISCREPANCIES TO THE ARCHITECT IMMEDIATELY.

THIS DRAWING IS TO BE READ IN CONJUNCTION WITH ALL RELATED ARCHITECTURAL AND STRUCTURAL ENGINEERING DRAWINGS, DETAILS AND OTHER RELEVANT INFORMATION.



REV	DATE	DESCRIPTION
0		

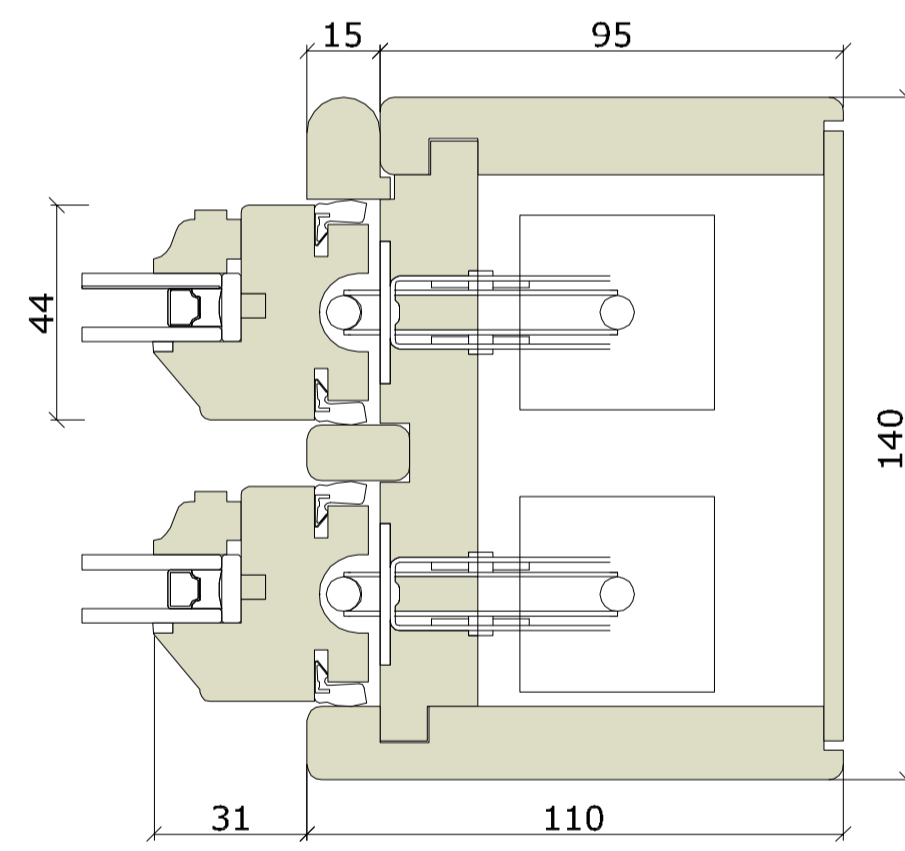
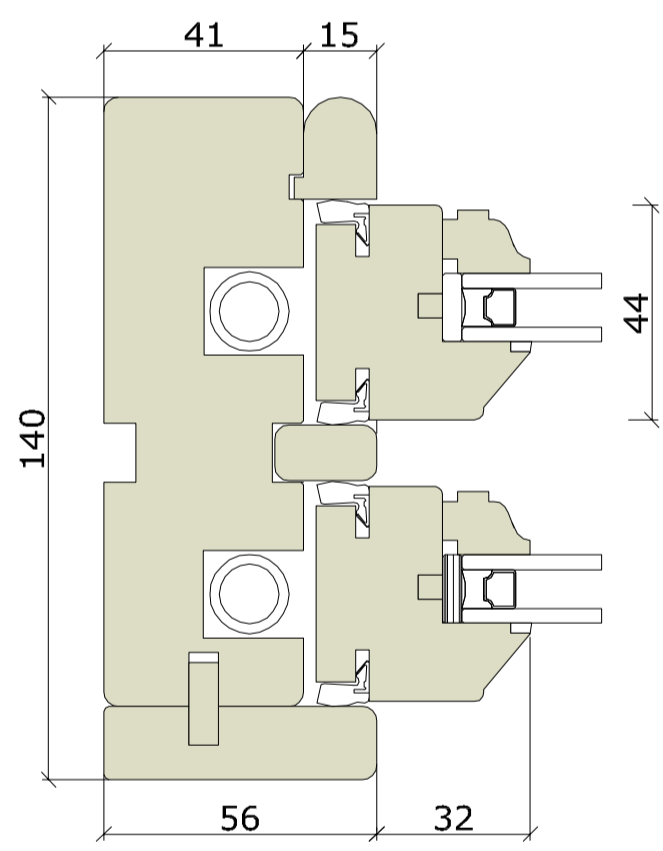
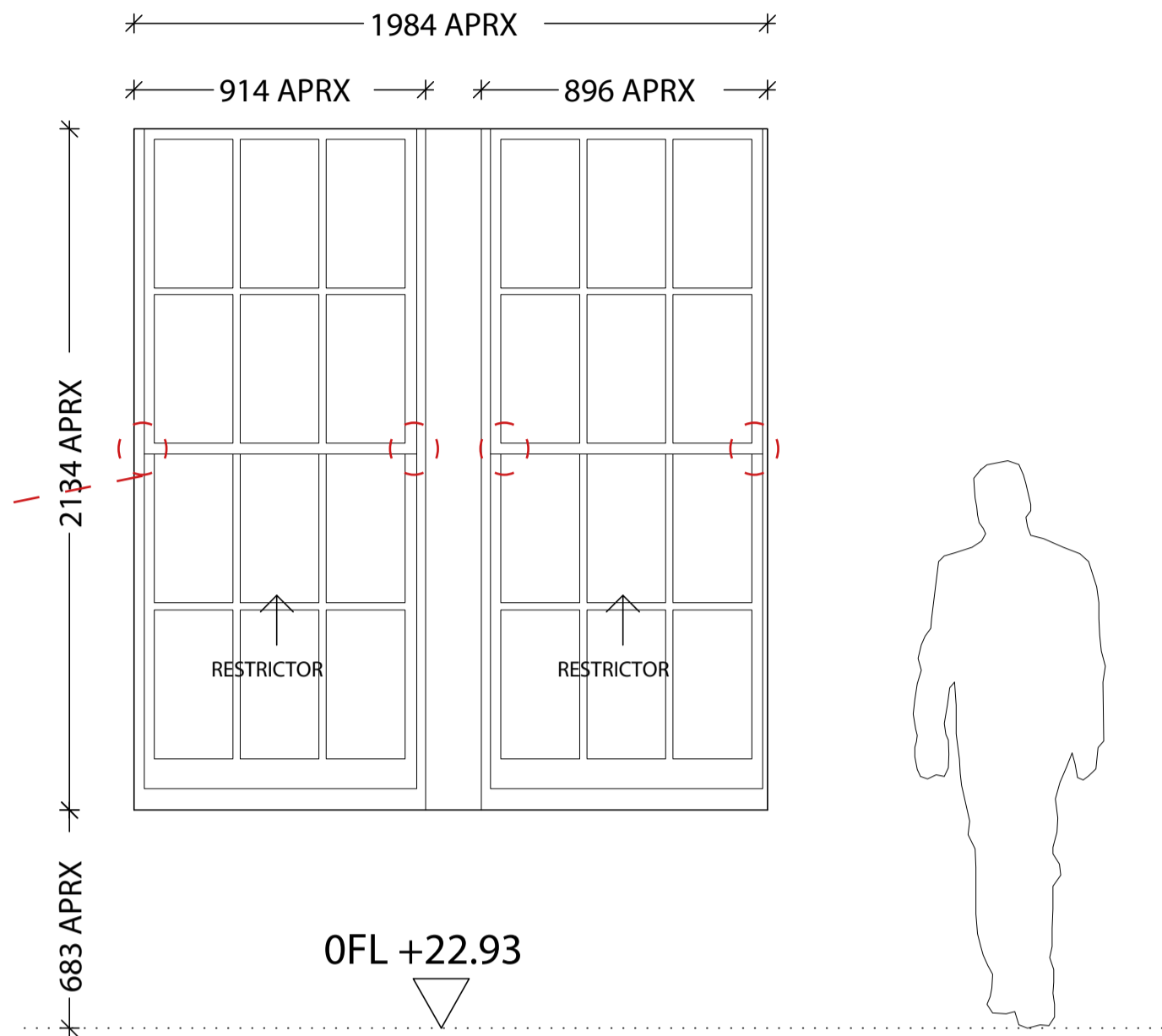
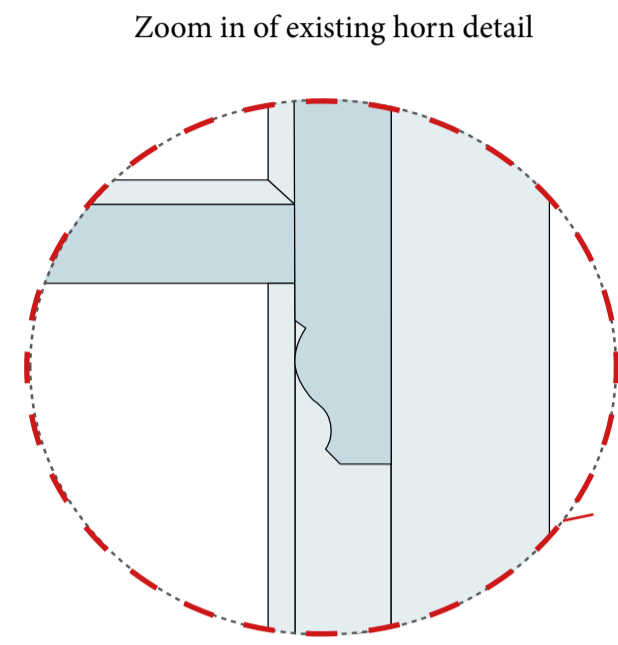
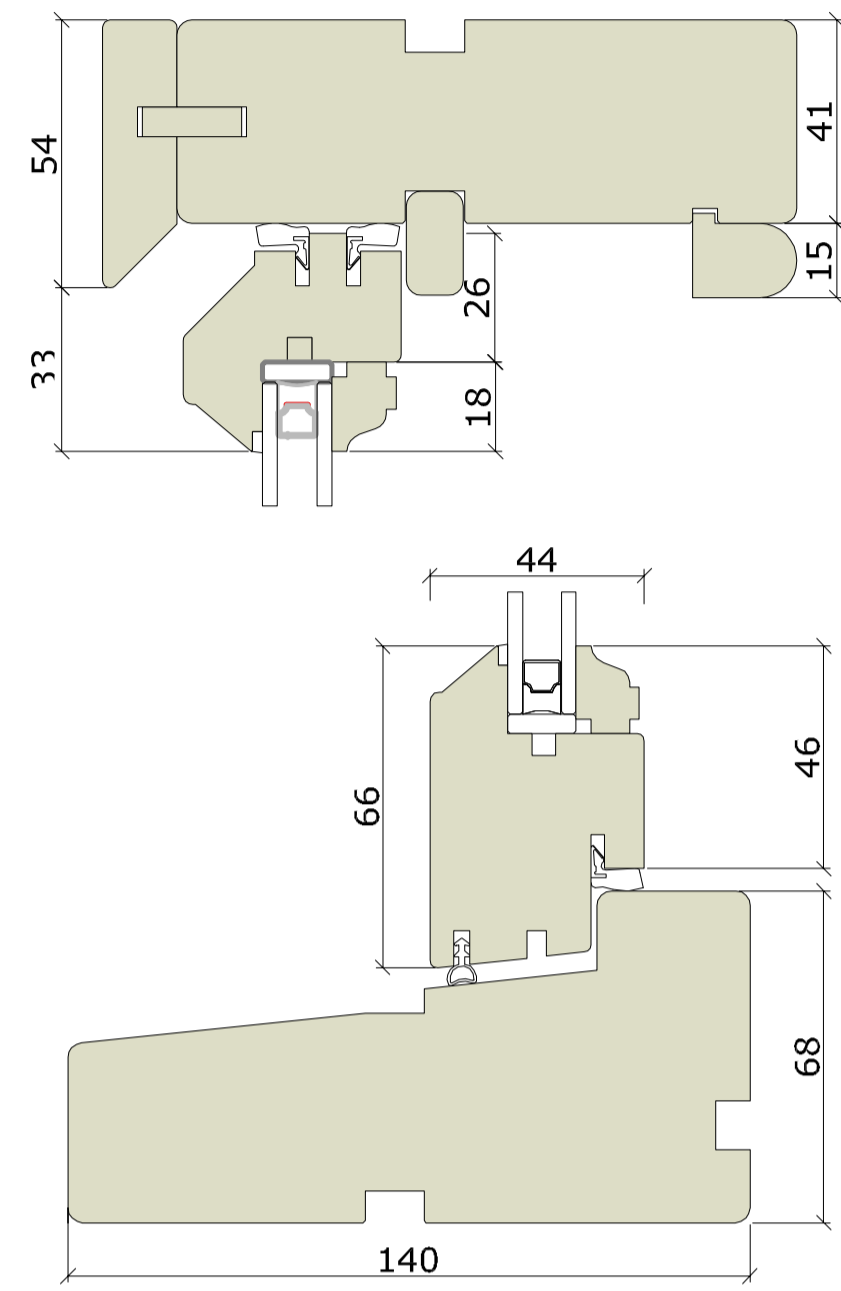
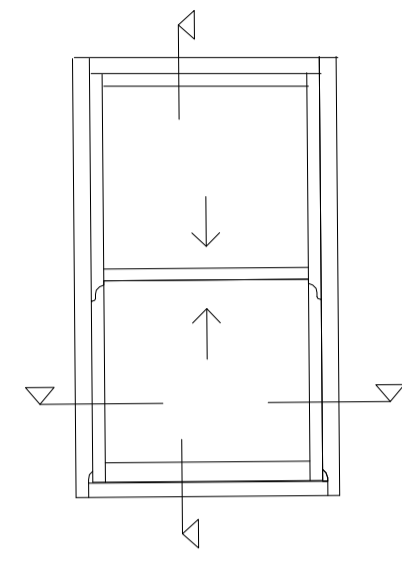
PROJECT	NO
9 Northington Street	1745
London	
WC1N 2JF	

DRAWING	NO
Details	DD.03
Window Junctions	

STAGE	REV
WORKING DRAWING	/

DATE	JAN 2025
SCALE / PAPER SIZE	1:5 / A1

Heritage Sliding Sash



Section through proposed window

NOTES

DO NOT SCALE OFF THIS DRAWING

ALL INDICATED DIMENSIONS TO BE CHECKED AND VERIFIED ON SITE BY THE MAIN CONTRACTOR BEFORE COMMENCEMENT OF ANY FABRICATION DRAWINGS OR WORK ON SITE.

REPORT ALL DISCREPANCIES TO THE ARCHITECT IMMEDIATELY.

THIS DRAWING IS TO BE READ IN CONJUNCTION WITH ALL RELATED ARCHITECTURAL AND STRUCTURAL ENGINEERING DRAWINGS, DETAILS AND OTHER RELEVANT INFORMATION.

NOTES

ALL WINDOW GLAZING UP TO 800MM FROM FFL TO BE TOUGHENED SAFETY GLASS WITH JUSTIFICATION TO ACT AS GUARDING - CONFIRMING WINDOWS ARE CAPABLE OF WITHSTANDING THE LOADINGS SET OUT IN BS EN 1991-1-1

WINDOW ELEVATIONS SHOW EXTERNAL VIEW TO BE READ IN CONJUNCTION WITH GA ELEVATIONS

ALL SAFETY GLASS TO HAVE REGISTERED SAFETY GLASS KITE MARK

ALL NEW CLEAR GLAZED WINDOWS TO HABITABLE ROOMS TO HAVE OPENABLE VENT OF 1/20TH FLOOR AREA

ANY VARIATION FROM DIMENSIONS OR SPECIFICATION TO BE AGREED WITH ARCHITECT PRIOR TO MANUFACTURE.

ALL DIMENSIONS ARE APPROXIMATE (FOR THE PURPOSE OF COSTING) UNLESS STATED OTHERWISE AND RELATE TO STRUCTURAL OPENINGS - ALL TBC ON SITE

ALL EXISTING WINDOW OPENINGS TO BE REPLACED TO BE PROFESSIONALLY SURVEYED PRIOR TO MANUFACTURING WINDOWS

ALL NEW EXTERNAL WINDOW AND DOOR UNITS TO HAVE A U-VALUE 1.2W/M²K OR BETTER

MAXIMUM WINDOW HANDLE HEIGHT TO BE 1200MM FROM FFL

WINDOWS AND DOORS WHICH ARE EASILY ACCESSIBLE MUST MEET OR EXCEED THE SECURITY REQUIREMENTS OF PAS24:2016.

TIMBER WINDOWS TO ONLY USE FSC 100% CERTIFIED TIMBER

wG.10

REAR ELEVATION APT.1

2 NO. 'BERECO' SUPPLIED DOUBLED GLAZED TIMBER SASH WINDOWS TO MATCH EXISTING. INCLUDE FOR TRADITIONAL MOULDINGS AND GLAZING BARS. ALLOW FOR REPLACING TIMBER MULLION

FULLY FACTORY FINISHED, SW TIMBER, COLOUR TBC

CORD AND WEIGHT (EXTERNAL VIEW ILLUSTRATED) INCLUDE FOR 47MM CILL EXTENSION

OPENING BOTTOM AND TOP SASH. BOTTOM SASH WITH RESTRICTOR - MAXIMUM 100MM OPENING

SATIN CHROME IRONMONGERY

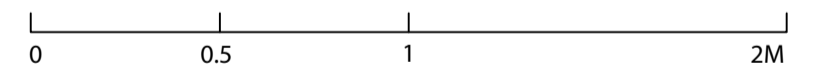
U-VALUE 1.2W/M²K

INTEGRATED TRICKLE VENT

TO MEET SECURITY REQUIREMENTS OF PAS24:2016

WORKING DRAWING
27.01.2025

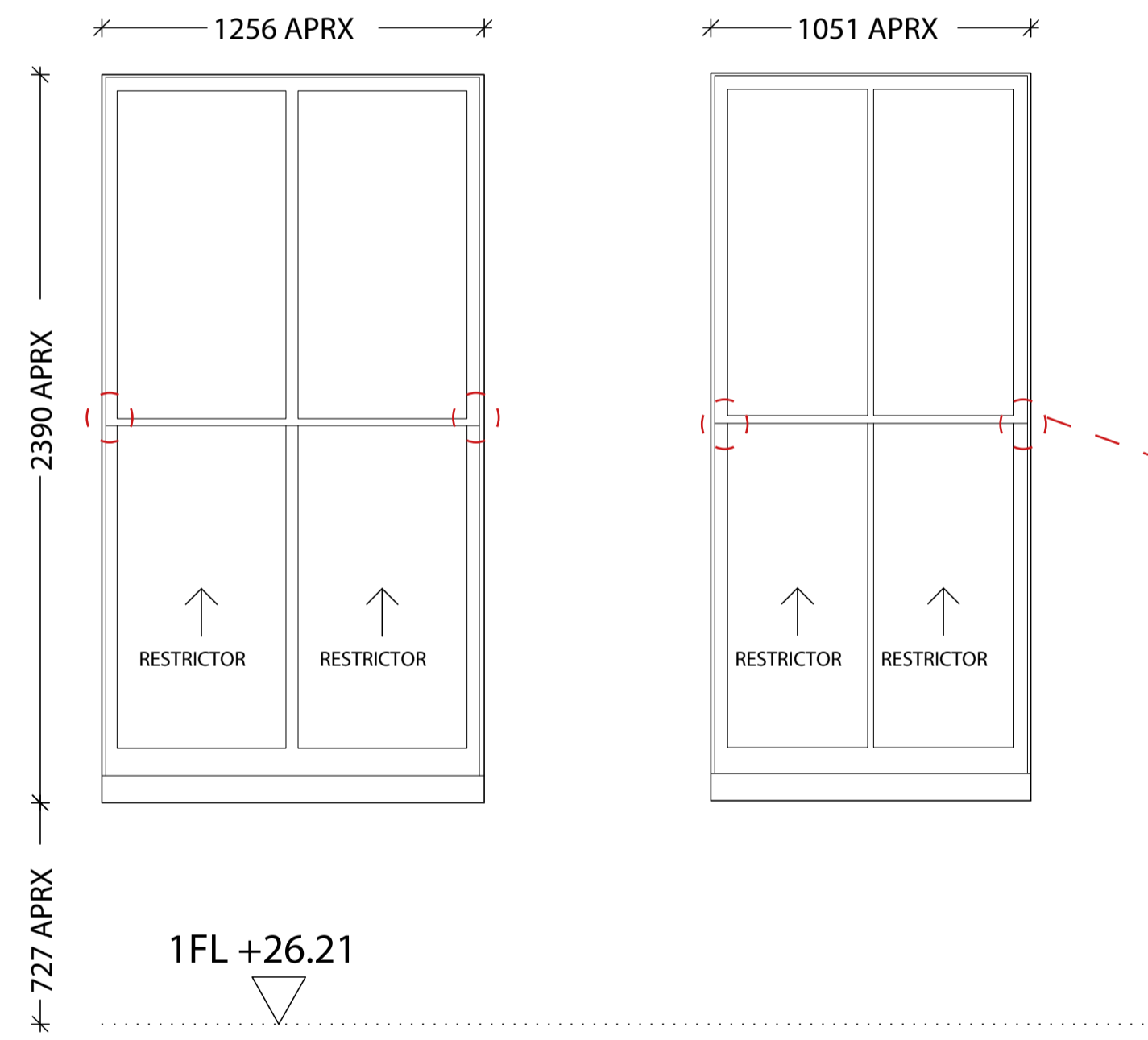
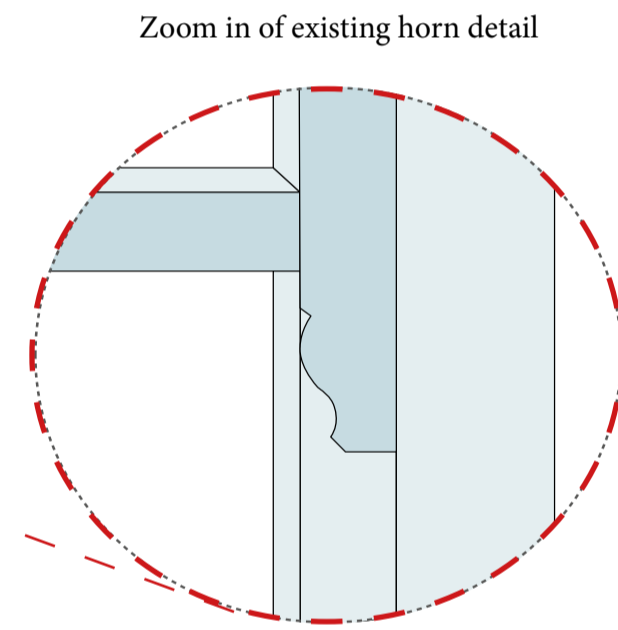
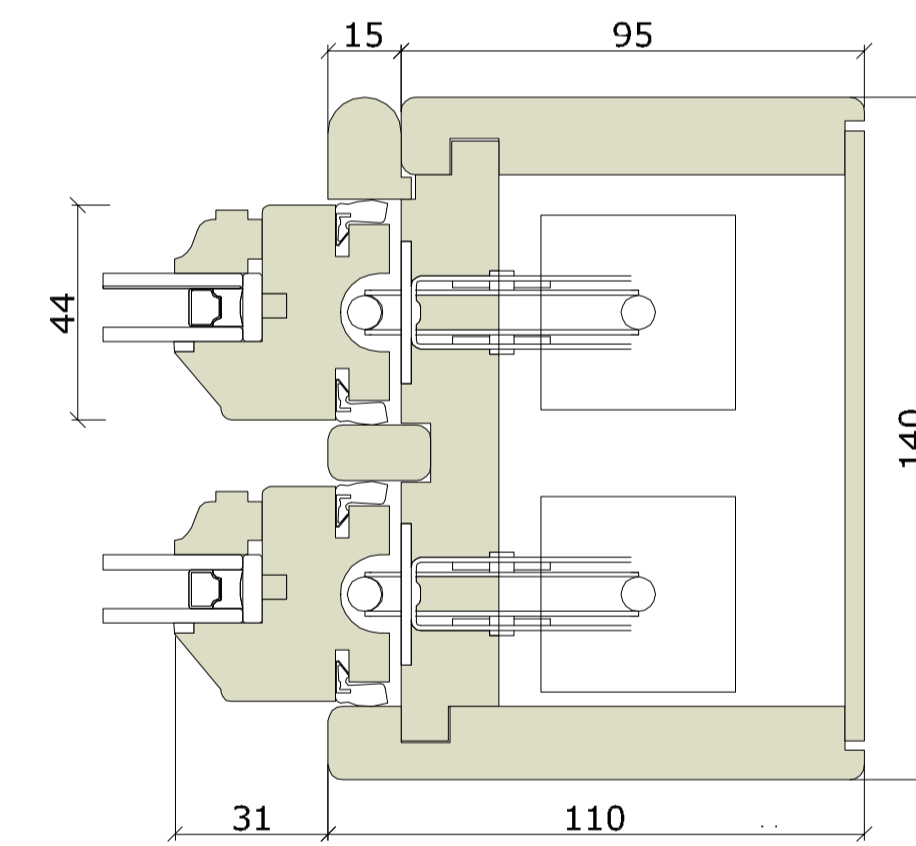
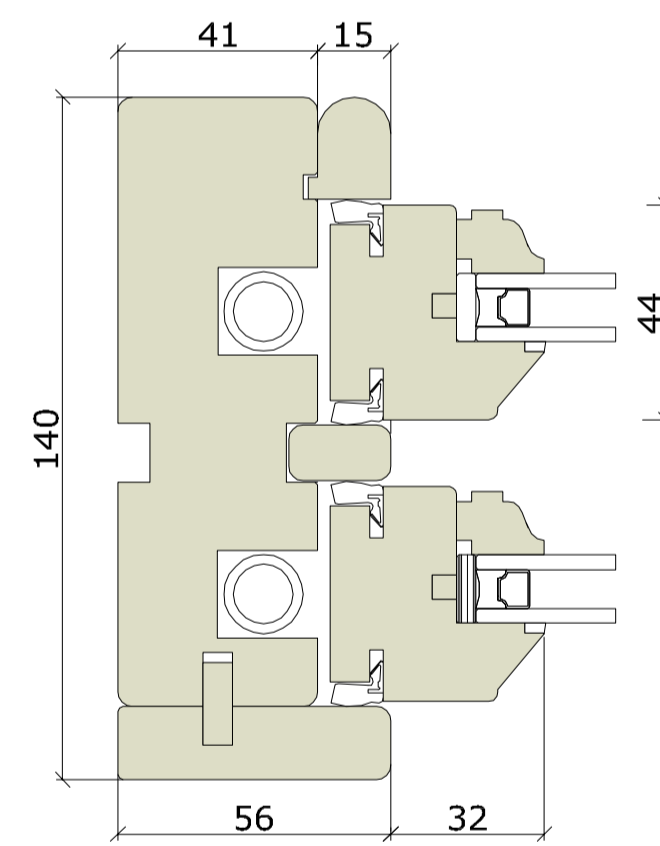
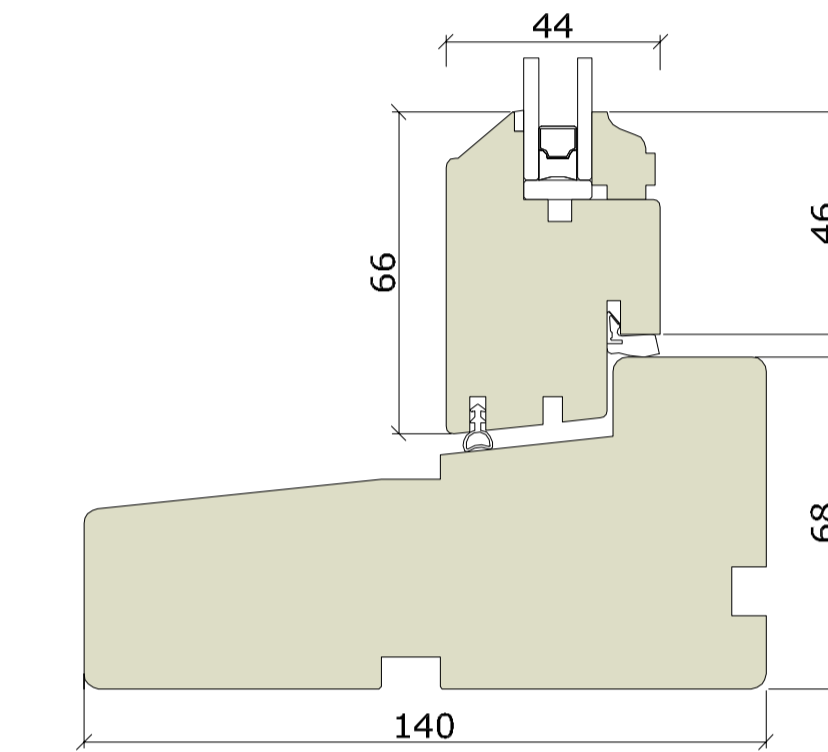
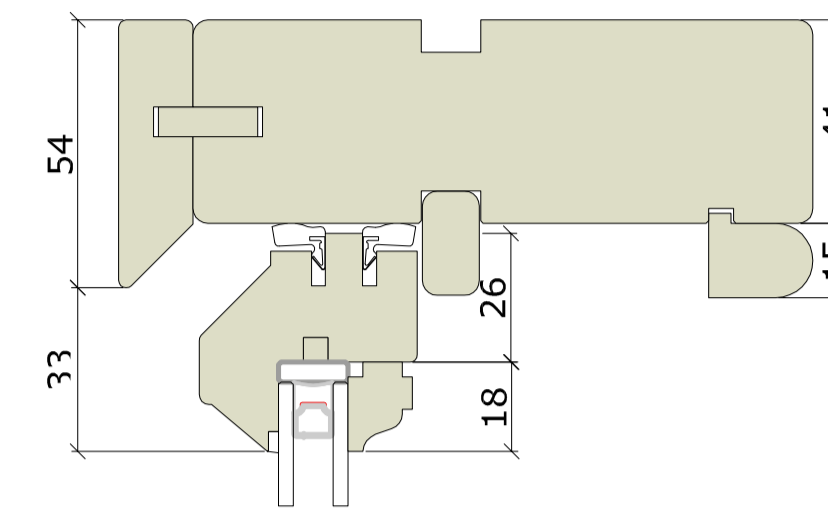
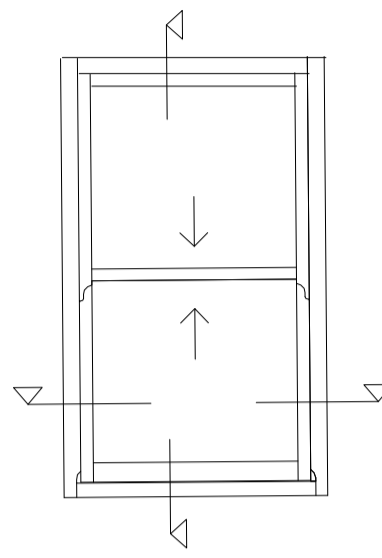
REV	DATE	DESCRIPTION
-----	------	-------------



PROJECT NO
9 Norhtington Street, 1896
London,
WC1N 2JF

DRAWING NO
Window Schedule WS.02
Ground Floor

Heritage Sliding Sash



Section through proposed window

w1.01 & 02

NORHTINGTON STREET ELEVATION

2 NO. 'BERECO' SUPPLIED DOUBLED GLAZED TIMBER SASH WINDOWS TO MATCH EXISTING. INCLUDE FOR TRADITIONAL MOULDINGS AND GLAZING BARS.

FULLY FACTORY FINISHED, SW TIMBER, COLOUR TBC

CORD AND WEIGHT (EXTERNAL VIEW ILLUSTRATED)

OPENING BOTTOM AND TOP SASH. BOTTOM SASH WITH RESTRICTOR - MAXIMUM 100MM OPENING

SATIN CHROME IRONMONGERY

U-VALUE 1.2W/M2K

INTEGRATED TRICKLE VENT

w1..03-06

NORHTINGTON STREET ELEVATION

4 NO. 'BERECO' SUPPLIED DOUBLED GLAZED TIMBER SASH WINDOWS TO MATCH EXISTING. INCLUDE FOR TRADITIONAL MOULDINGS AND GLAZING BARS.

FULLY FACTORY FINISHED, SW TIMBER, COLOUR TBC

CORD AND WEIGHT (EXTERNAL VIEW ILLUSTRATED)

OPENING BOTTOM AND TOP SASH. BOTTOM SASH WITH RESTRICTOR - MAXIMUM 100MM OPENING

SATIN CHROME IRONMONGERY

U-VALUE 1.2W/M2K

INTEGRATED TRICKLE VENT

NOTES

DO NOT SCALE OFF THIS DRAWING

ALL INDICATED DIMENSIONS TO BE CHECKED AND VERIFIED ON SITE BY THE MAIN CONTRACTOR BEFORE COMMENCEMENT OF ANY FABRICATION DRAWINGS OR WORK ON SITE.

REPORT ALL DISCREPANCIES TO THE ARCHITECT IMMEDIATELY.

THIS DRAWING IS TO BE READ IN CONJUNCTION WITH ALL RELATED ARCHITECTURAL AND STRUCTURAL ENGINEERING DRAWINGS, DETAILS AND OTHER RELEVANT INFORMATION.

NOTES

ALL WINDOW GLAZING UP TO 800MM FROM FFL TO BE TOUGHENED SAFETY GLASS WITH JUSTIFICATION TO ACT AS GUARDING - CONFIRMING WINDOWS ARE CAPABLE OF WITHSTANDING THE LOADINGS SET OUT IN BS EN 1991-1-1

WINDOW ELEVATIONS SHOW EXTERNAL VIEW TO BE READ IN CONJUNCTION WITH GA ELEVATIONS

ALL SAFETY GLASS TO HAVE REGISTERED SAFETY GLASS KITE MARK

ALL NEW CLEAR GLAZED WINDOWS TO HABITABLE ROOMS TO HAVE OPENABLE VENT OF 1/20TH FLOOR AREA

ANY VARIATION FROM DIMENSIONS OR SPECIFICATION TO BE AGREED WITH ARCHITECT PRIOR TO MANUFACTURE.

ALL DIMENSIONS ARE APPROXIMATE (FOR THE PURPOSE OF COSTING) UNLESS STATED OTHERWISE AND RELATE TO STRUCTURAL OPENINGS - ALL TBC ON SITE

ALL EXISTING WINDOW OPENINGS TO BE REPLACED TO BE PROFESSIONALLY SURVEYED PRIOR TO MANUFACTURING WINDOWS

ALL NEW EXTERNAL WINDOW AND DOOR UNITS TO HAVE A U-VALUE 1.2W/M²K OR BETTER

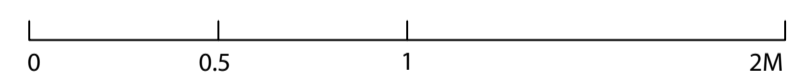
MAXIMUM WINDOW HANDLE HEIGHT TO BE 1200MM FROM FFL

WINDOWS AND DOORS WHICH ARE EASILY ACCESSIBLE MUST MEET OR EXCEED THE SECURITY REQUIREMENTS OF PAS24:2016.

TIMBER WINDOWS TO ONLY USE FSC 100% CERTIFIED TIMBER

WORKING DRAWING
27.01.2025

REV	DATE	DESCRIPTION
-----	------	-------------



PROJECT NO
9 Norhtington Street, 1896
London,
WC1N 2JF

DRAWING NO
Window Schedule WS.03
First Floor

NOTES

DO NOT SCALE OFF THIS DRAWING

ALL INDICATED DIMENSIONS TO BE CHECKED AND VERIFIED ON SITE BY THE MAIN CONTRACTOR BEFORE COMMENCEMENT OF ANY FABRICATION DRAWINGS OR WORK ON SITE.

REPORT ALL DISCREPANCIES TO THE ARCHITECT IMMEDIATELY.

THIS DRAWING IS TO BE READ IN CONJUNCTION WITH ALL RELATED ARCHITECTURAL AND STRUCTURAL ENGINEERING DRAWINGS, DETAILS AND OTHER RELEVANT INFORMATION.

NOTES

ALL WINDOW GLAZING UP TO 800MM FROM FFL TO BE TOUGHENED SAFETY GLASS WITH JUSTIFICATION TO ACT AS GUARDING - CONFIRMING WINDOWS ARE CAPABLE OF WITHSTANDING THE LOADINGS SET OUT IN BS EN 1991-1-1

WINDOW ELEVATIONS SHOW EXTERNAL VIEW TO BE READ IN CONJUNCTION WITH GA ELEVATIONS

ALL SAFETY GLASS TO HAVE REGISTERED SAFETY GLASS KITE MARK

ALL NEW CLEAR GLAZED WINDOWS TO HABITABLE ROOMS TO HAVE OPENABLE VENT OF 1/20TH FLOOR AREA

ANY VARIATION FROM DIMENSIONS OR SPECIFICATION TO BE AGREED WITH ARCHITECT PRIOR TO MANUFACTURE.

ALL DIMENSIONS ARE APPROXIMATE (FOR THE PURPOSE OF COSTING) UNLESS STATED OTHERWISE AND RELATE TO STRUCTURAL OPENINGS - ALL TBC ON SITE

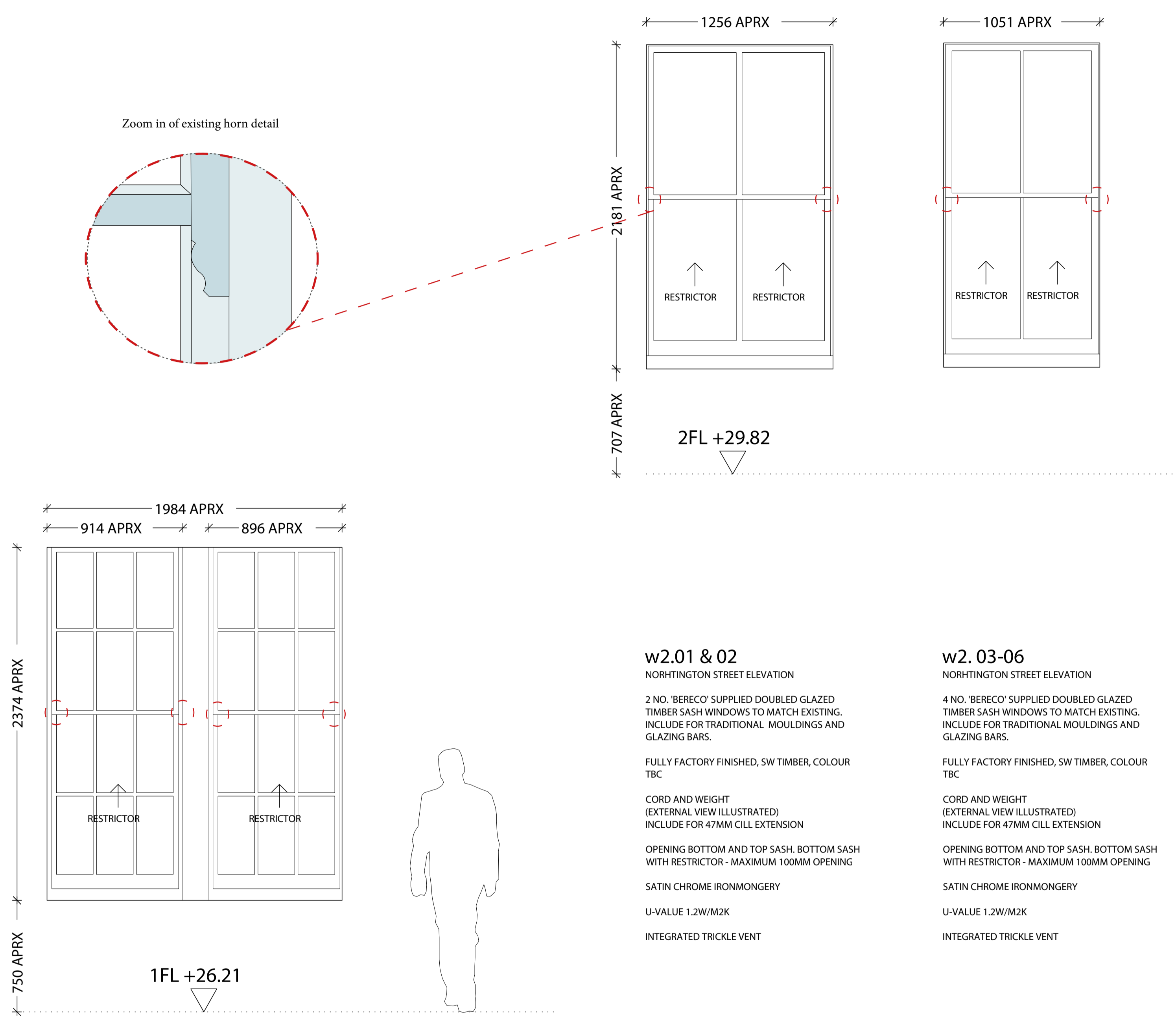
ALL EXISTING WINDOW OPENINGS TO BE REPLACED TO BE PROFESSIONALLY SURVEYED PRIOR TO MANUFACTURING WINDOWS

ALL NEW EXTERNAL WINDOW AND DOOR UNITS TO HAVE A U-VALUE 1.2W/M²K OR BETTER

MAXIMUM WINDOW HANDLE HEIGHT TO BE 1200MM FROM FFL

WINDOWS AND DOORS WHICH ARE EASILY ACCESSIBLE MUST MEET OR EXCEED THE SECURITY REQUIREMENTS OF PAS24:2016.

TIMBER WINDOWS TO ONLY USE FSC 100% CERTIFIED TIMBER



w1.12

REAR ELEVATION APT.3

2 NO. 'BERECO' SUPPLIED DOUBLED GLAZED TIMBER SASH WINDOWS TO MATCH EXISTING. INCLUDE FOR TRADITIONAL MOULDINGS AND GLAZING BARS. ALLOW FOR REPLACING TIMBER MULLION

FULLY FACTORY FINISHED, SW TIMBER, COLOUR TBC

CORD AND WEIGHT (EXTERNAL VIEW ILLUSTRATED) INCLUDE FOR 47MM CILL EXTENSION

OPENING BOTTOM AND TOP SASH. BOTTOM SASH WITH RESTRICTOR - MAXIMUM 100MM OPENING

SATIN CHROME IRONMONGERY

U-VALUE 1.2W/M2K

INTEGRATED TRICKLE VENT

TO MEET SECURITY REQUIREMENTS OF PAS24:2016

w2.01 & 02

NORHTINGTON STREET ELEVATION

2 NO. 'BERECO' SUPPLIED DOUBLED GLAZED TIMBER SASH WINDOWS TO MATCH EXISTING. INCLUDE FOR TRADITIONAL MOULDINGS AND GLAZING BARS.

FULLY FACTORY FINISHED, SW TIMBER, COLOUR TBC

CORD AND WEIGHT (EXTERNAL VIEW ILLUSTRATED) INCLUDE FOR 47MM CILL EXTENSION

OPENING BOTTOM AND TOP SASH. BOTTOM SASH WITH RESTRICTOR - MAXIMUM 100MM OPENING

SATIN CHROME IRONMONGERY

U-VALUE 1.2W/M2K

INTEGRATED TRICKLE VENT

w2.03-06

NORHTINGTON STREET ELEVATION

4 NO. 'BERECO' SUPPLIED DOUBLED GLAZED TIMBER SASH WINDOWS TO MATCH EXISTING. INCLUDE FOR TRADITIONAL MOULDINGS AND GLAZING BARS.

FULLY FACTORY FINISHED, SW TIMBER, COLOUR TBC

CORD AND WEIGHT (EXTERNAL VIEW ILLUSTRATED) INCLUDE FOR 47MM CILL EXTENSION

OPENING BOTTOM AND TOP SASH. BOTTOM SASH WITH RESTRICTOR - MAXIMUM 100MM OPENING

SATIN CHROME IRONMONGERY

U-VALUE 1.2W/M2K

INTEGRATED TRICKLE VENT

REV	DATE	DESCRIPTION
-----	------	-------------

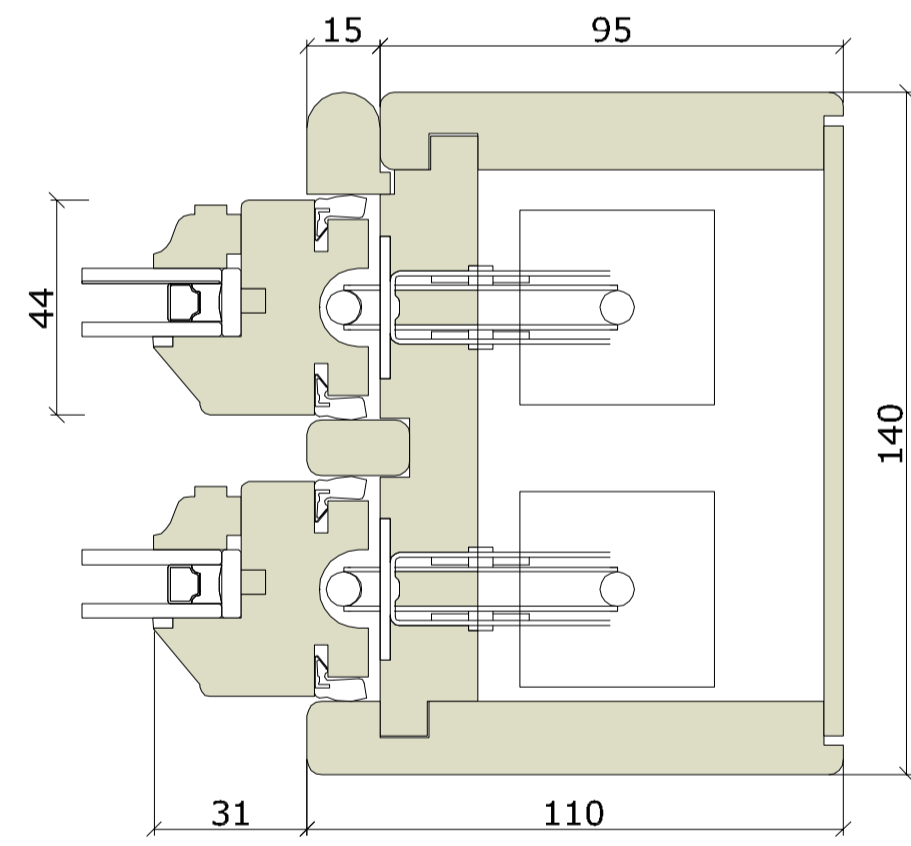
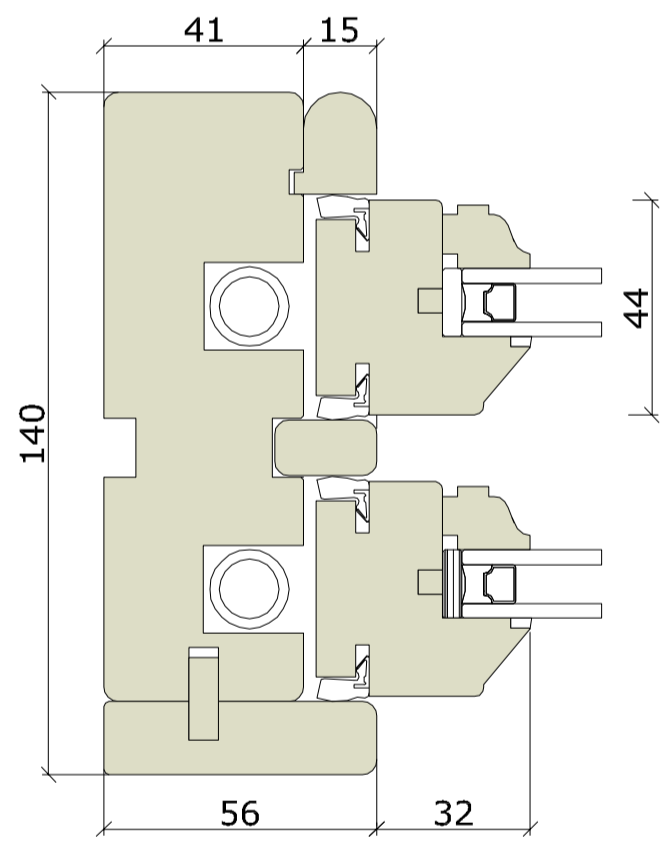
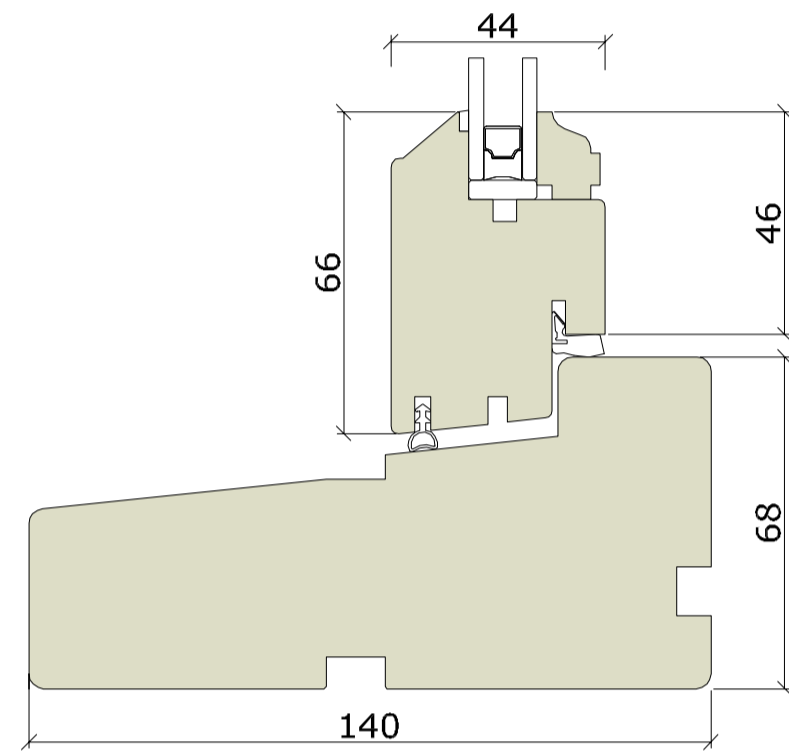
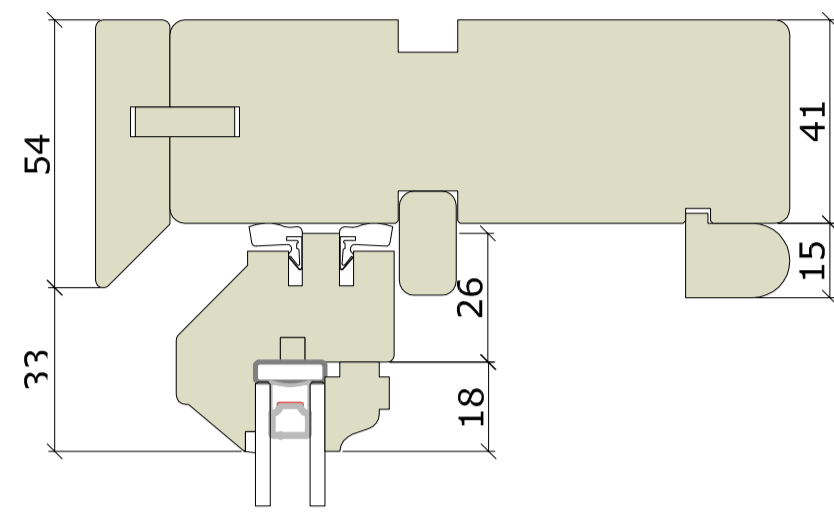
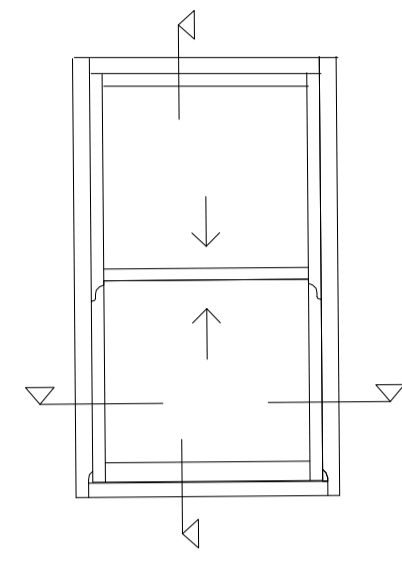


PROJECT NO
9 Norhtington Street, 1896
London,
WC1N 2JF

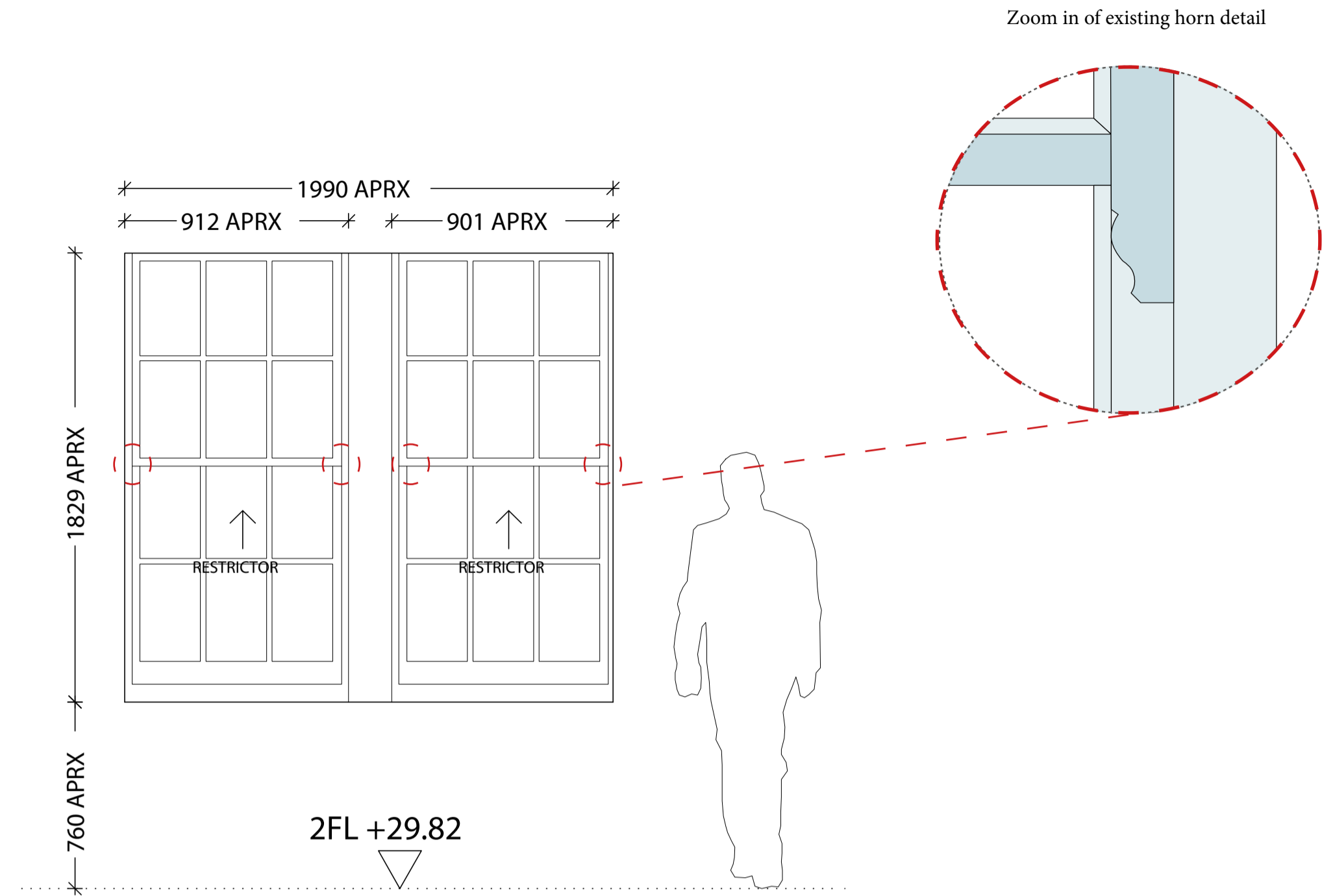
DRAWING NO
Window Schedule WS.04
First Floor &
Second Floor

WORKING DRAWING
 27.01.2025

Heritage Sliding Sash



Section through proposed window



w2.12

REAR ELEVATION APT.4

2 NO. 'BERECO' SUPPLIED DOUBLED GLAZED TIMBER SASH WINDOWS TO MATCH EXISTING. INCLUDE FOR TRADITIONAL MOULDINGS AND GLAZING BARS. ALLOW FOR REPLACING TIMBER MULLION

FULLY FACTORY FINISHED, SW TIMBER. COLOUR TBC

CORD AND WEIGHT (EXTERNAL VIEW ILLUSTRATED) INCLUDE FOR 47MM CILL EXTENSION

OPENING BOTTOM AND TOP SASH. BOTTOM SASH WITH RESTRICTOR - MAXIMUM 100MM OPENING

SATIN CHROME IRONMONGERY

U-VALUE 1.2W/M2K

INTEGRATED TRICKLE VENT

TO MEET SECURITY REQUIREMENTS OF PAS24:2016

NOTES

DO NOT SCALE OFF THIS DRAWING

ALL INDICATED DIMENSIONS TO BE CHECKED AND VERIFIED ON SITE BY THE MAIN CONTRACTOR BEFORE COMMENCEMENT OF ANY FABRICATION DRAWINGS OR WORK ON SITE.

REPORT ALL DISCREPANCIES TO THE ARCHITECT IMMEDIATELY.

THIS DRAWING IS TO BE READ IN CONJUNCTION WITH ALL RELATED ARCHITECTURAL AND STRUCTURAL ENGINEERING DRAWINGS, DETAILS AND OTHER RELEVANT INFORMATION.

NOTES

ALL WINDOW GLAZING UP TO 800MM FROM FFL TO BE TOUGHENED SAFETY GLASS WITH JUSTIFICATION TO ACT AS GUARDING - CONFIRMING WINDOWS ARE CAPABLE OF WITHSTANDING THE LOADINGS SET OUT IN BS EN 1991-1-1

WINDOW ELEVATIONS SHOW EXTERNAL VIEW TO BE READ IN CONJUNCTION WITH GA ELEVATIONS

ALL SAFETY GLASS TO HAVE REGISTERED SAFETY GLASS KITE MARK

ALL NEW CLEAR GLAZED WINDOWS TO HABITABLE ROOMS TO HAVE OPENABLE VENT OF 1/20TH FLOOR AREA

ANY VARIATION FROM DIMENSIONS OR SPECIFICATION TO BE AGREED WITH ARCHITECT PRIOR TO MANUFACTURE.

ALL DIMENSIONS ARE APPROXIMATE (FOR THE PURPOSE OF COSTING) UNLESS STATED OTHERWISE AND RELATE TO STRUCTURAL OPENINGS - ALL TBC ON SITE

ALL EXISTING WINDOW OPENINGS TO BE REPLACED TO BE PROFESSIONALLY SURVEYED PRIOR TO MANUFACTURING WINDOWS

ALL NEW EXTERNAL WINDOW AND DOOR UNITS TO HAVE A U-VALUE 1.2W/M²K OR BETTER

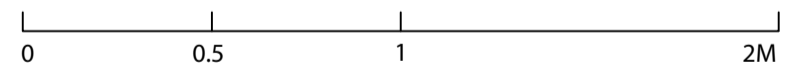
MAXIMUM WINDOW HANDLE HEIGHT TO BE 1200MM FROM FFL

WINDOWS AND DOORS WHICH ARE EASILY ACCESSIBLE MUST MEET OR EXCEED THE SECURITY REQUIREMENTS OF PAS24:2016.

TIMBER WINDOWS TO ONLY USE FSC 100% CERTIFIED TIMBER

WORKING DRAWING
27.01.2025

REV	DATE	DESCRIPTION
-----	------	-------------



PROJECT NO
9 Norhtington Street, 1896
London,
WC1N 2JF

DRAWING NO
Window Schedule WS.04
First Floor &
Second Floor