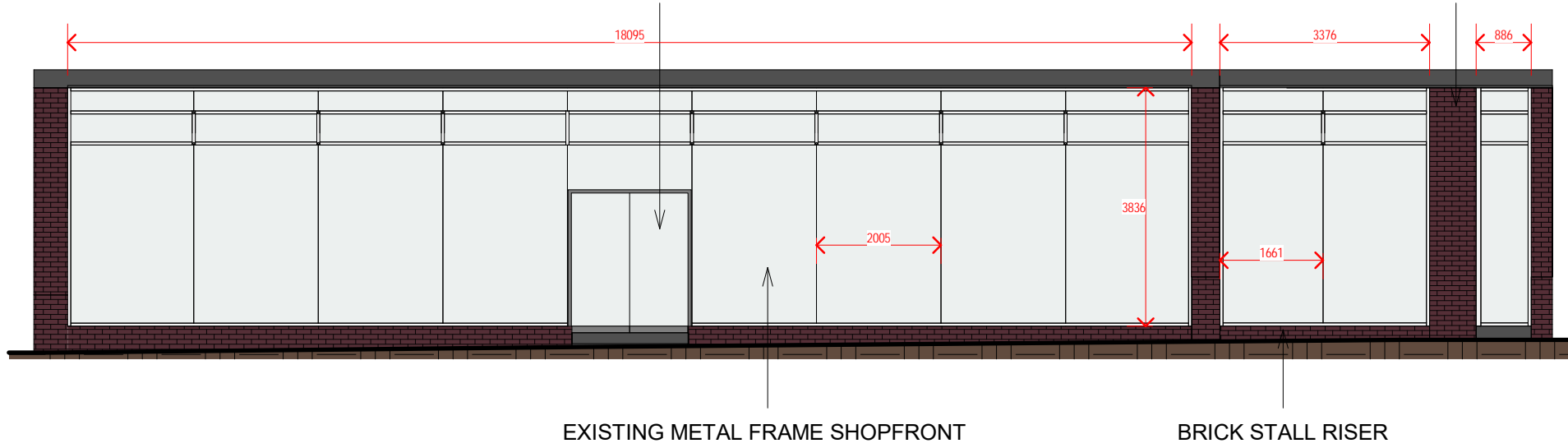


NOTE:
ALL WORK TO BE CARRIED OUT TO BE TO
BRITISH STANDARDS

This drawing is the property of MGPM Ltd and is not to be copied, reproduced, retained or disclosed to any unauthorised person either wholly or in part without prior consent. All figured dimensions to be checked on site prior to construction. All discrepancies, errors and omissions to be reported to the designer or project manager prior to construction. Layout and dimensions of existing building to be checked on site. All structural details to be verified by structural consultants before fabrication. If in doubt ask.

EXISTING GLASS ENTRANCE DOORS

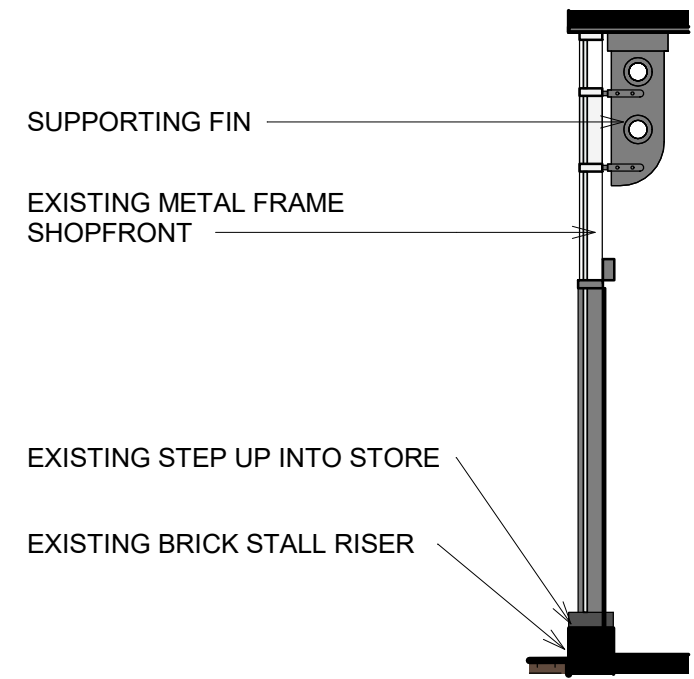
BRICK PILASTERS



EXISTING METAL FRAME SHOPFRONT

BRICK STALL RISER

1 Existing Shopfront Elevation
1 : 100



SUPPORTING FIN

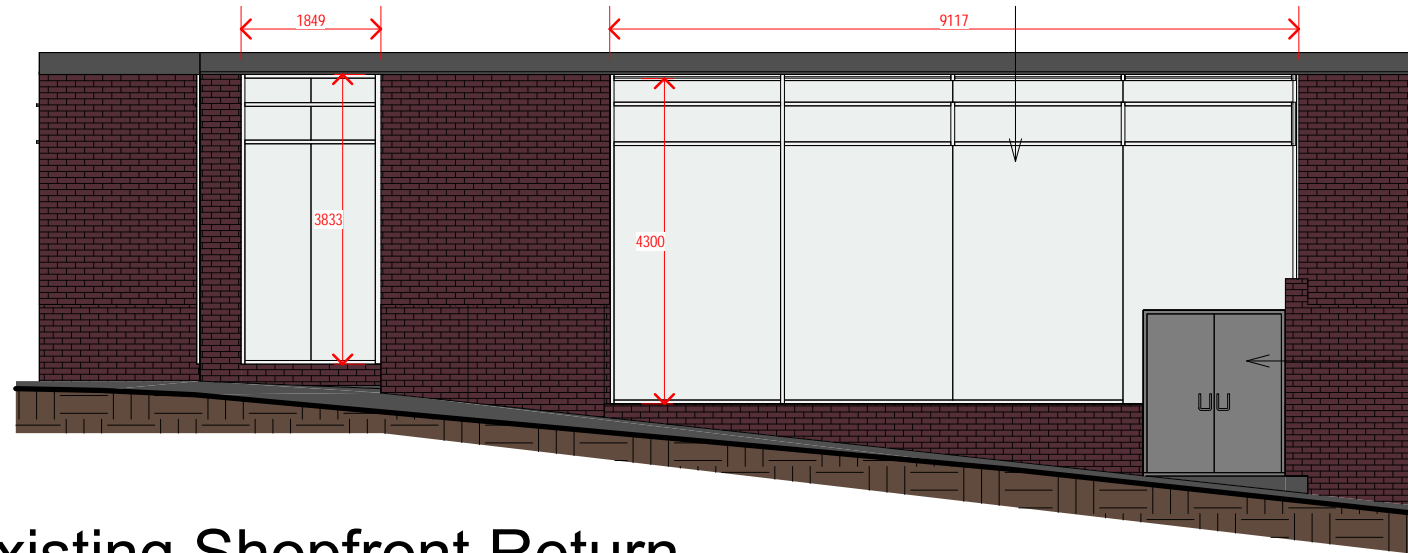
EXISTING METAL FRAME SHOPFRONT

EXISTING STEP UP INTO STORE

EXISTING BRICK STALL RISER

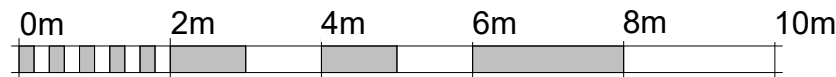
3 Existing Shopfront Section
1 : 50

EXISTING METAL FRAME SHOPFRONT

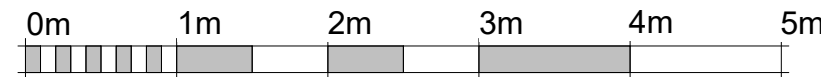


SECONDARY ENTRANCE / EXIT DOORS

2 Existing Shopfront Return Elevation
1 : 100



VISUAL SCALE 1:100 @ A3



VISUAL SCALE 1:50 @ A3

CONSTRUCTION

MGPM
MG Project Management LTD
Tanfield Tye, West Hanningfield,
Chelmsford, Essex, CM2 8UD
TEL: +44 (0)1245 402 180, FAX: +44 (0)1245 402
199
EMAIL: admin@mgpm.com

Revisions

Project

ROCHE BABOIS

339 Finchley Road
LONDON
NW3 6EP

Project No.
Project Number
Scale
As indicated

Drawn
DI
Manager
RH

Date
24/02/25
Revision

Drawing
**EXISTING SHOPFRONT
ELEVATIONS & SECTIONS**

Drawing
3451/001.1