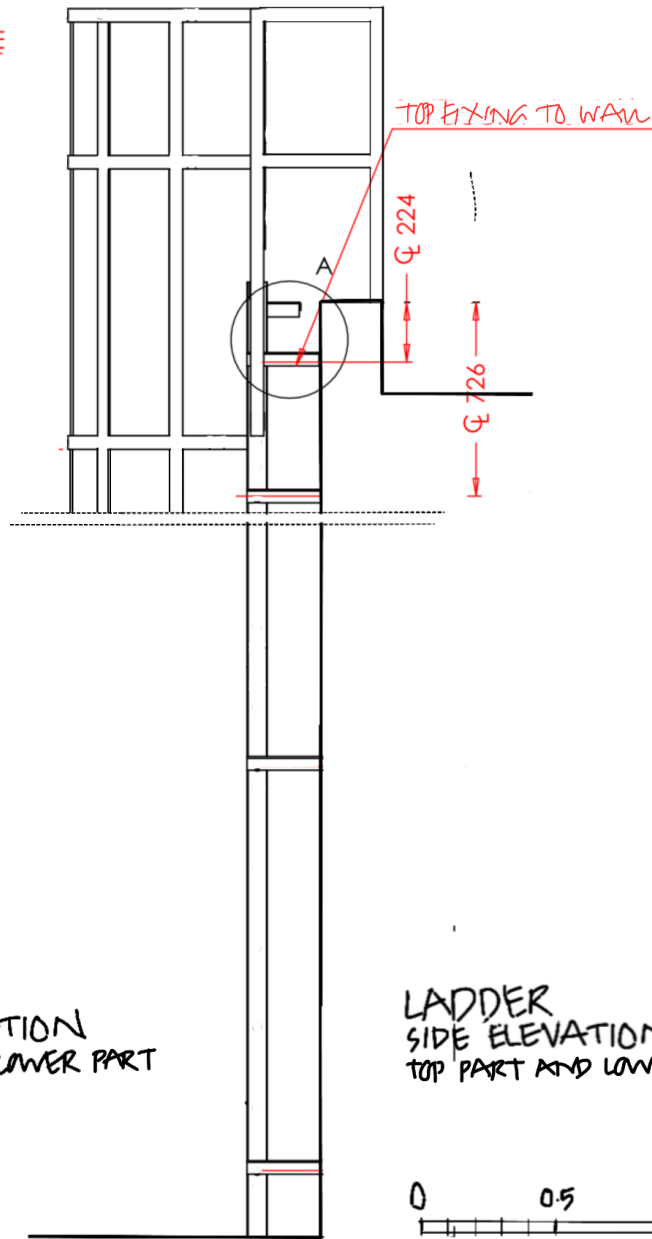


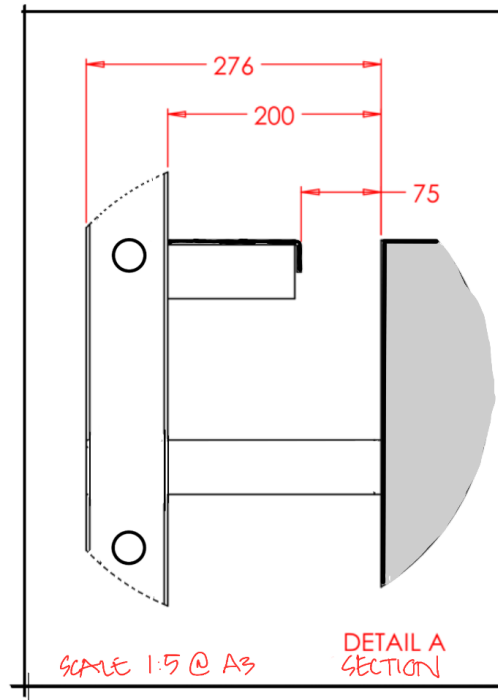
LADDER  
FRONT ELEVATION  
TOP PART AND LOWER PART

559  
669  
FIXING  $\varnothing$

HOOK ON SECURITY GATE  
APPROX 2.4 M HIGH



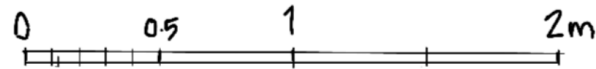
LADDER  
SIDE ELEVATION  
TOP PART AND LOWER PART



SCALE 1:5 @ A3  
DETAIL A  
SECTION

NOTES

1. THE LADDER ASSEMBLY WILL BE NATURAL ALUMINIUM OR GALVANISED STEEL (GREY)
2. FIXINGS WILL BE BY BOLTS INTO THE BRICK WALL
3. INSTALLATION WILL BE BY A SPECIALIST CONTRACTOR
4. STRENGTH REQUIREMENTS TO BS EN ISO 14122-04 2001 + A1 2010. DESIGN TO BS 4211:2005 + A1 2008 FOR PERMANENTLY FIXED LADDERS.



SCALE : 1:10 @ A1  
1:20 @ A3 PAPER SIZE

13 FEBRUARY '25 . DRG NO 560-07

24 WINSCOMBE ST  
LONDON N19 5DG  
PROPOSED ACCESS  
LADDER TO ROOFS