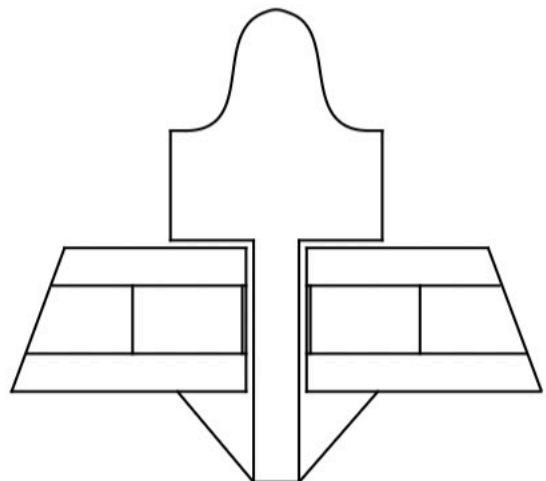
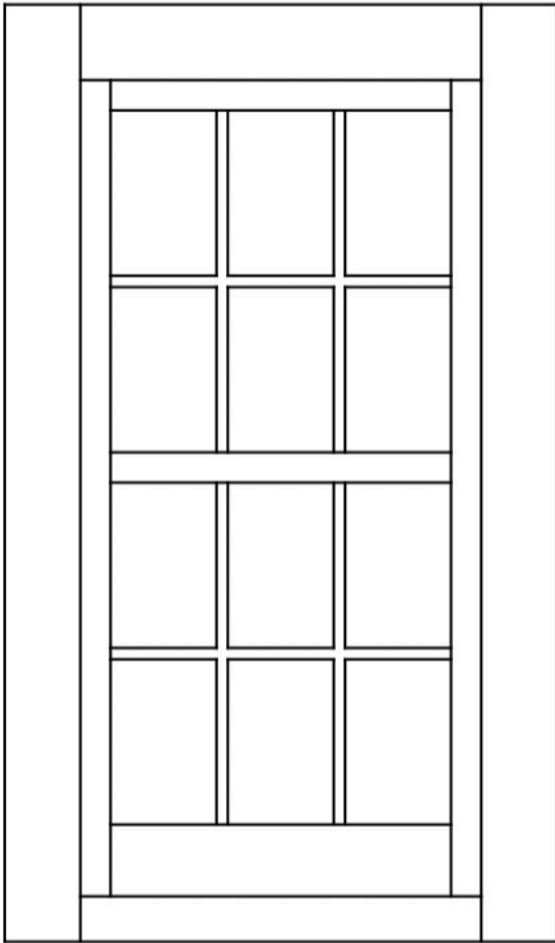


1510 mm

1380 mm

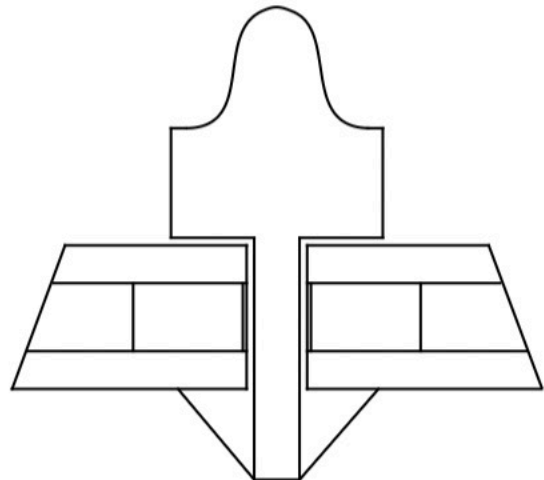


O'Nion and Thomson Ltd  
Morningside Crescent  
- Flat B Bathroom  
Window 1

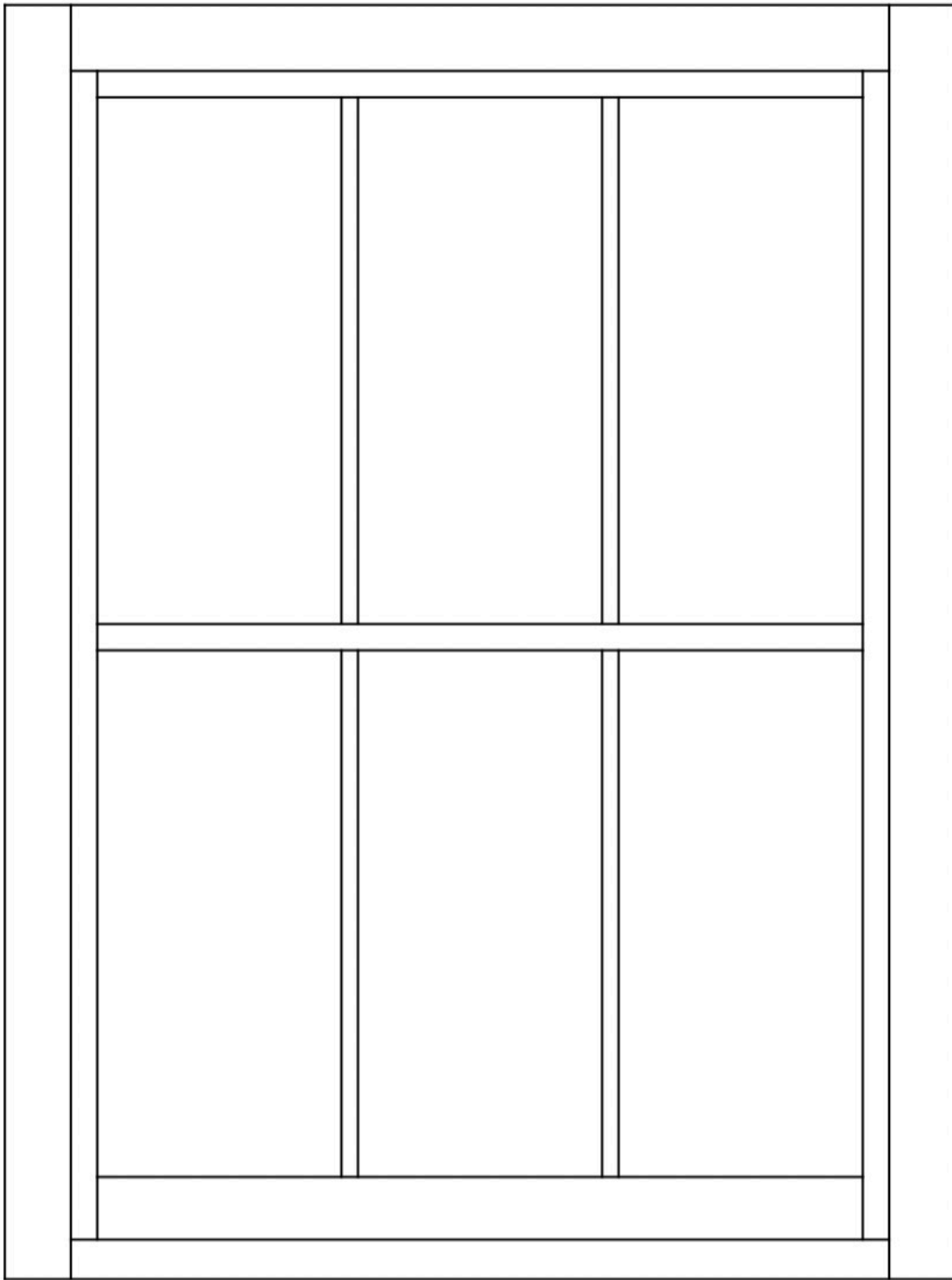


1240 mm

730 mm

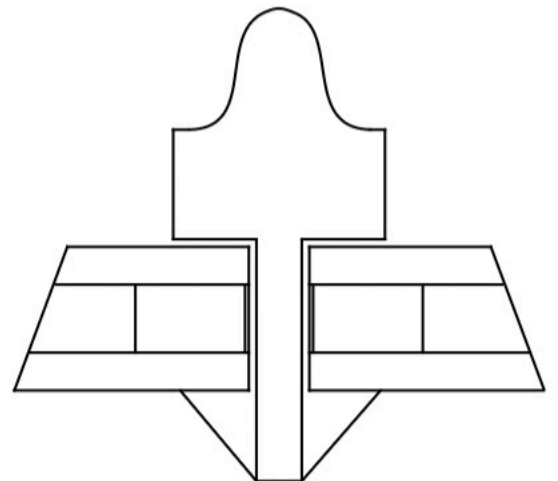


O'Nion and  
Thomson Ltd  
Morningside Crescent  
- Flat B Bedroom  
Window

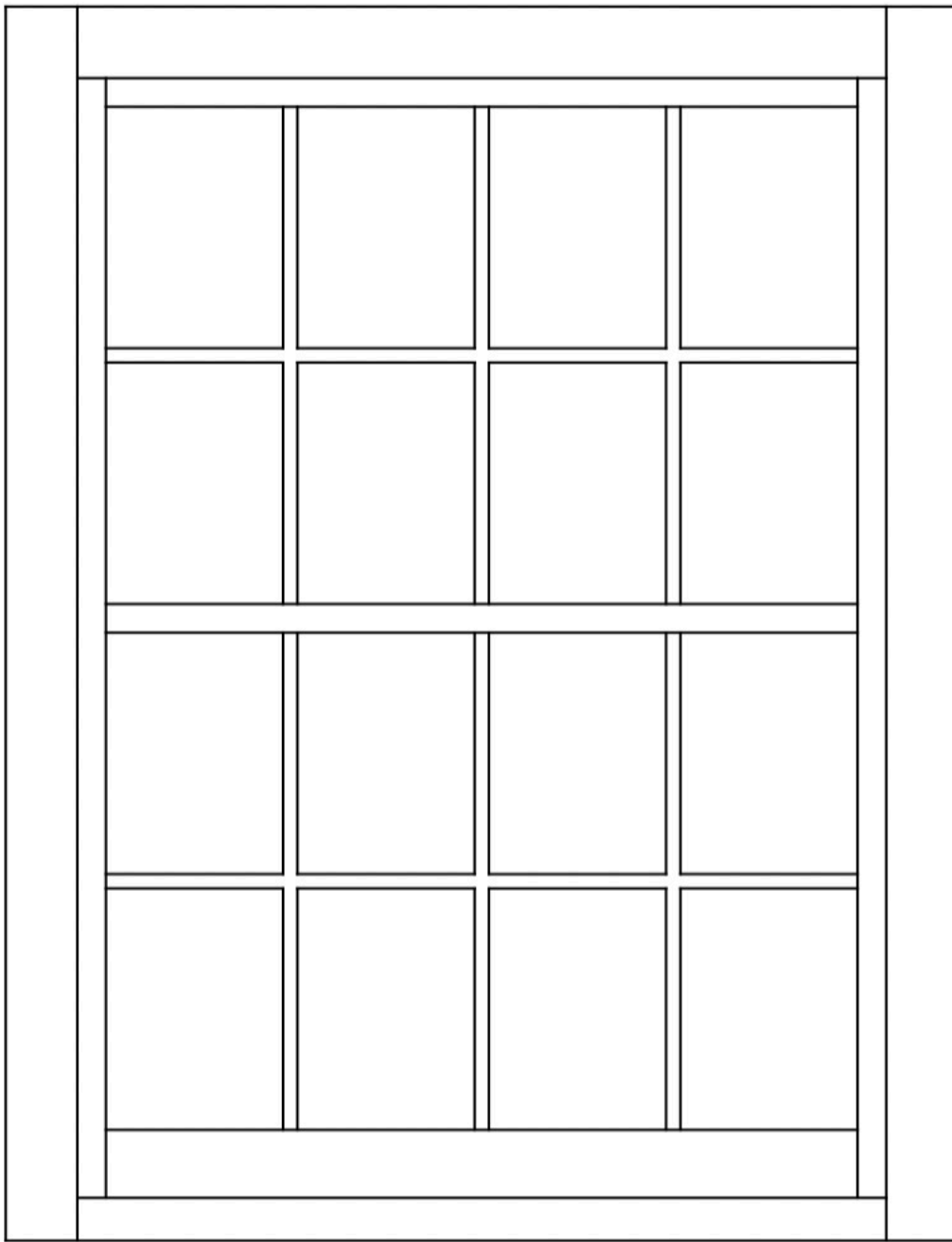


1932 mm

1440 mm



O'Nion and Thomson  
Ltd  
Morningson Crescent  
- Flat D Front room /  
Kitchen Left Window



1725 mm

1330 mm

