

This drawing is the property of DC Architecture+Design Ltd, and they reserve the copyright. DC+Partners is the trading name of DC Architecture+Design Ltd. The drawing is issued on the condition that it is not copied, reproduced, retained or disclosed, in whole or part, to any unauthorised person without the consent from DC Architecture+Design Ltd. Figures and dimensions are to be taken in preference to those scaled.
The contractor is to verify all dimensions and conditions on site.

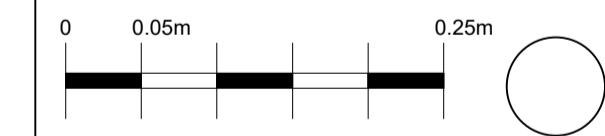
NOTES:

THIS DETAIL HAS BEEN PUT TOGETHER WITH REFERENCE TO APPLICATION NO. 2022/1722/P & 2022/1798/L

ALL FIXINGS INTO BRICKWORK TO BE INTO MORTAR JOINTS

PLANNING

REVISIONS



Project :
LIVE ODYSSEY
CAMDEN STABLES

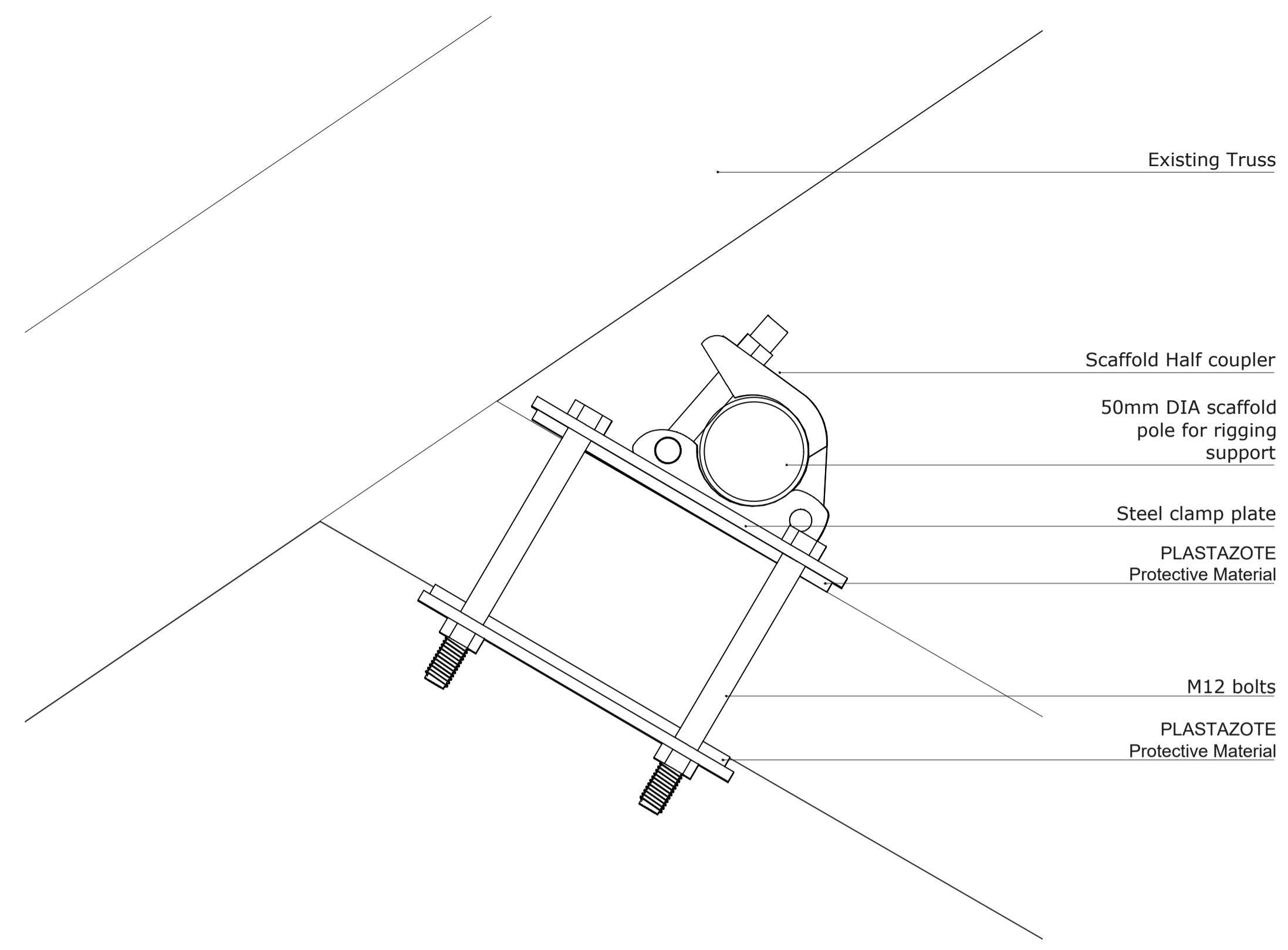
Client :
LIVE ODYSSEY PROMOTIONS

Scale:
1:2 @A1 / 1:4 @A3

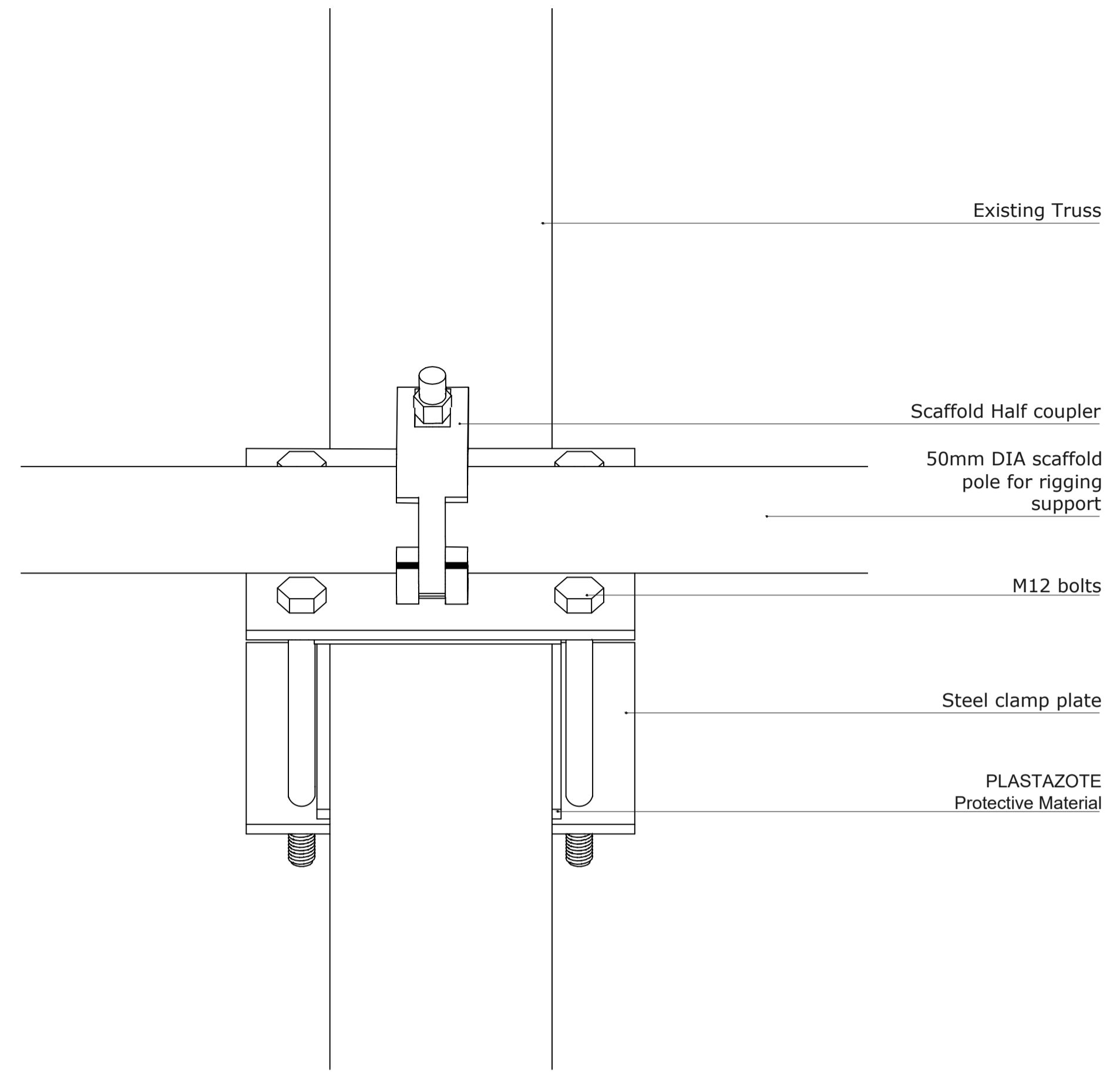
Title :
LIGHTING RIGGING FIXING
DETAIL 1

Drawing Number :
LOP001_DE_A_(63)002

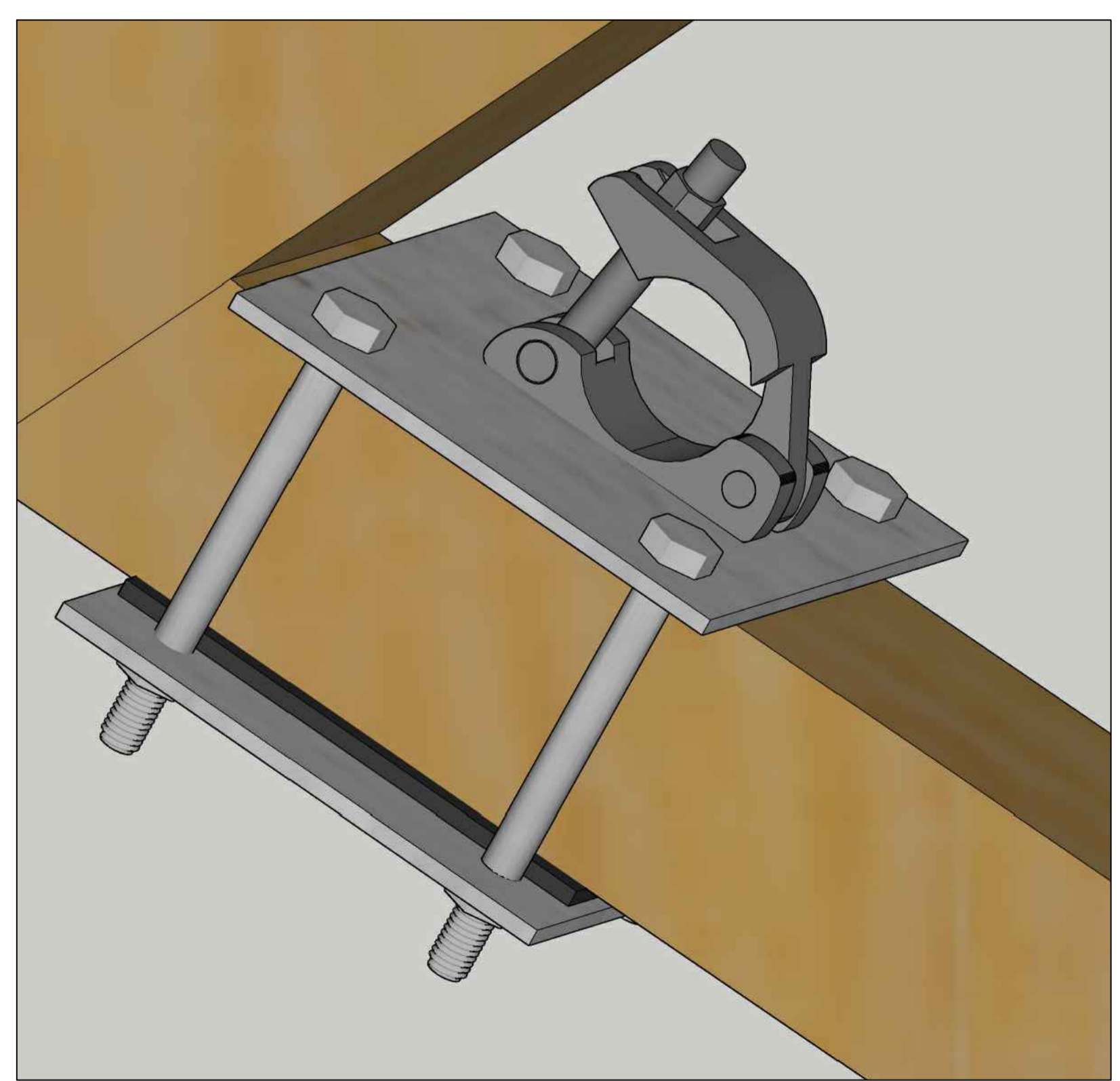
Date : 21.11.2024 Drawn by : CF Approved by : XX



DE PROPOSED RIGGING CLAMP TO TRUSS ELEVATION 1
1:2@A1, 1:4@A3



DE PROPOSED RIGGING CLAMP TO TRUSS ELEVATION 1
1:2@A1, 1:4@A3



DE PROPOSED RIGGING CLAMP TO TRUSS
NTS