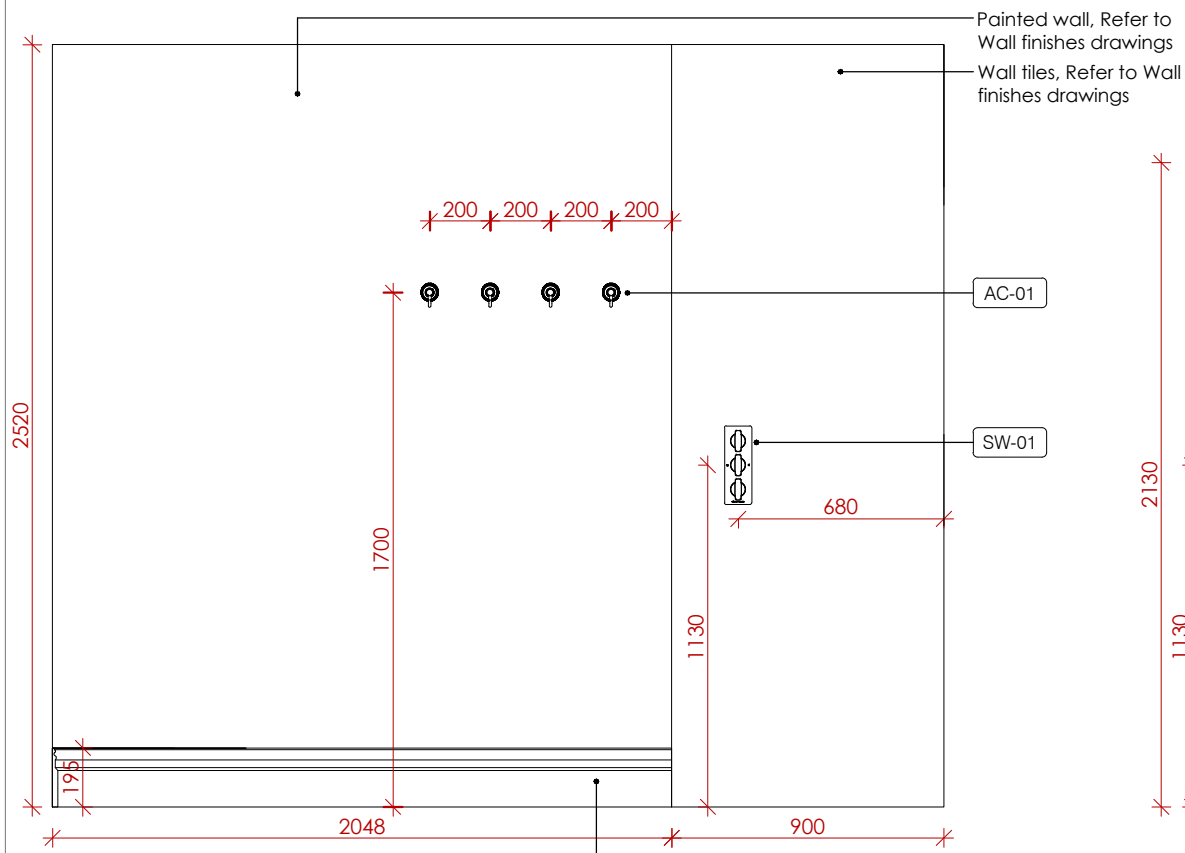
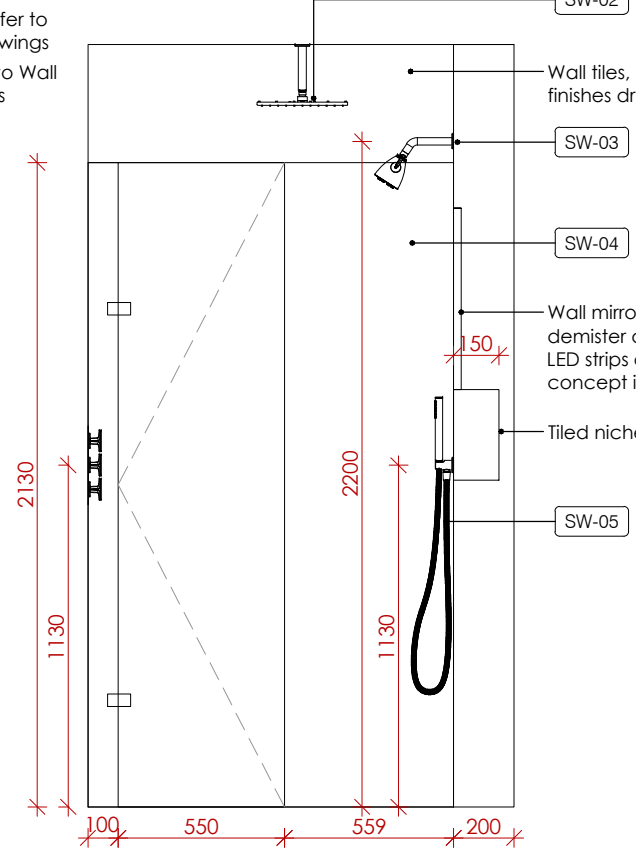


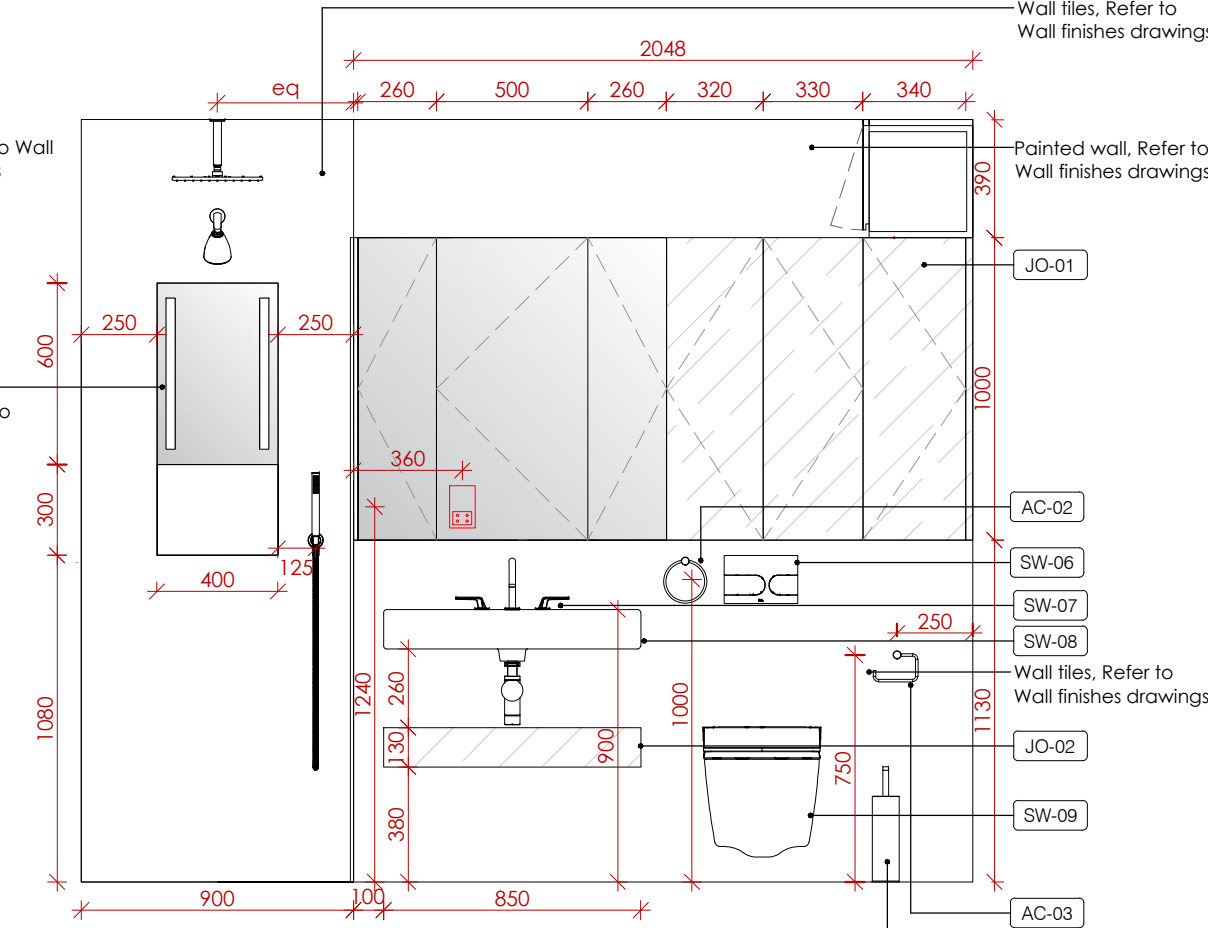
Scale Bar 1:25



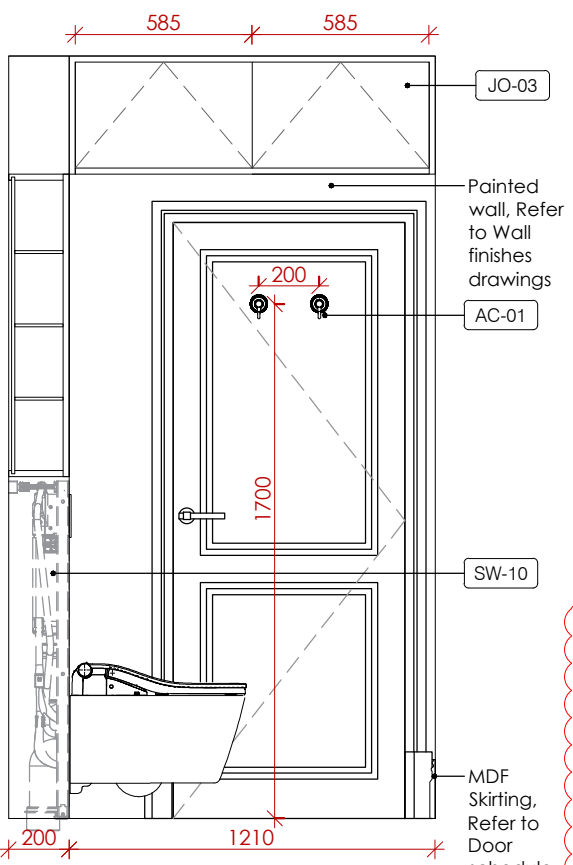
A Elevation A 1:25



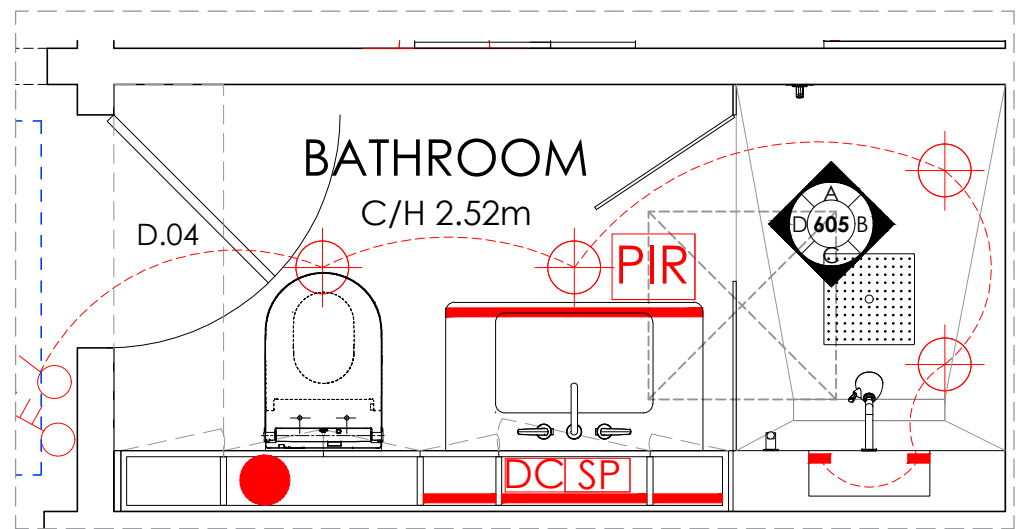
B Elevation B 1:25



C Elevation C 1:25



D Elevation D 1:25



Floorplan 1:25



ACCESSORIES SPECIFICATION

AC-01	6x Wall hooks - Samuel Heath, Hook, N1432-ANT, Anthracite
AC-02	Towel ring - Samuel Heath, N5098-ANT, Anthracite
AC-03	Toilet roll holder - Samuel Heath, N5037-ANT, Anthracite
AC-04	Toilet brush - Samuel Heath, Freestanding toilet brush, L5044-ANT, Anthracite

Wall mirror concept image NTS

SANITARY WARE SPECIFICATION

SW-01	Shower valves - Samuel Heath, Trim set for V132-IS thermostatic valve - 2 way diverter with flow control for 3rd outlet, T2003-TCBA-ANT, Anthracite finish, incl associated rough parts
SW-02	Ceiling shower head - Samuel Heath, 1/2" Ceiling tube for shower head, 151mm length, T2069-ANT & 300mm Square easy clean shower head, V379-ANT, Anthracite finish
SW-03	Wall mounted shower head - Samuel Heath, Adjustable 8-jet Easy Clean Shower Head, T2079-8-ANT, Anthracite finish
SW-04	Shower screen with hinged door, minimal matt black fixing, tbc with KLD before ordering
SW-05	Hand held shower - Samuel Heath, 1.5m Braided hose V941-ANT, Wall outlet and bracket T2066-ANT, Easy clean hand shower V182-ANT, Anthracite finish
SW-06	Toilet flush plate - TOTO Push plate, MB175M#SS, Stainless steel
SW-07	Washbasin tap - Samuel Heath, Speed forme, T20K14-CTL-ANT, 3 Hole basin filler without pop-up waste, 170mm spout height, Anthracite, matching pop up waste and basin trap
SW-08	Wall mounted washbasin - Duravit, Vero, Model-No. 032985, Rectangular, White High Gloss, With tap hole platform, Underside glazed, 850 mm
SW-09	Toilet - TOTO WASHLET® RW auto flush incl. remote control, Product code: TCF802C2G, Required accessory: WC RP, wall-hung only for WASHLET® CW542ERY, Connecting set for WASHLET® with hidden connections, SP10695UN - tbc by client
SW-10	WC Frame - TOTO, Frame system for WASHLET® with automatic flush, WH182EAT

JOINERY SPECIFICATION

JO-01	Recessed cupboard in stained oak to match KLD sample, 3x mirrored doors with demisters and 3 internal adjustable glass shelves in each compartment, Shaver socket inside cabinet and internal LED lighting in 3x compartments
JO-02	Wall mounted shelf in stained oak to match KLD sample with undermounted LED strip
JO-03	Wall cupboard with 2x lift up doors with finger pull, sprayed in matt lacquer to match wall paint - F&B Skimming stone no. 241

ALL DRAWINGS ARE SUBJECT TO COST AGREEMENT BEFORE WORKS COMMENCE.

KLD DESIGN INTENT ONLY DRAWING. PLEASE NOTE ALL DIMENSIONS ARE APPROXIMATE AND SUBJECT TO SITE SURVEY.

UNDER FLOOR HEATING TO BE ELECTRIC.

Rev:	Description:	Date:
D	Wall mirror concept image shown	12/02/25
C	Ceiling shower head added, Wall mounted shower head replaced, Ledge & towel heater removed, Wall mirror updated & LED lighting added, WC model updated, Hooks replaced and 4x hooks added, Wall cupboard added, Underfloor heating note added	23/01/25
B	Shower screen height increased	08/01/25
A	Wall mirror and ledge added, Toilet replaced with TOTO, Accessories added	13/12/24

Title: Bathroom Proposed Elevations

Kathryn Levitt Design
 KATHRYN LEVITT DESIGN LTD
 Goodwin House, 5 Union court, Richmond
 London, Surrey TW9 1AA
 Tel 020 8948 1223
 e: ideas@kathrynlevittdesign.com

Client: Ms Elizabeth Owens

Property Site: Charrington Street

Job No: 1690 Drawing No: 605 Revision: D

Scale: 1:25@A3 Date: 25.09.24 Drawn by: ERB

Status: For Discussion

Dimensions to be verified on site. Figured dimensions to be taken in preference to those scaled. This drawing is the property of Kathryn Levitt Design Ltd. Copyright is reserved by them and the drawing is issued on the condition that it is not copied, reproduced, retained or disclosed to any unauthorised person either wholly or in part without the consent in writing of Kathryn Levitt Design Ltd.
 Registered in England and Wales No. 4986703
 Registered Office 1 Park Road, Hampton Wick, Kingston Upon Thames, Surrey KT1 4AS