

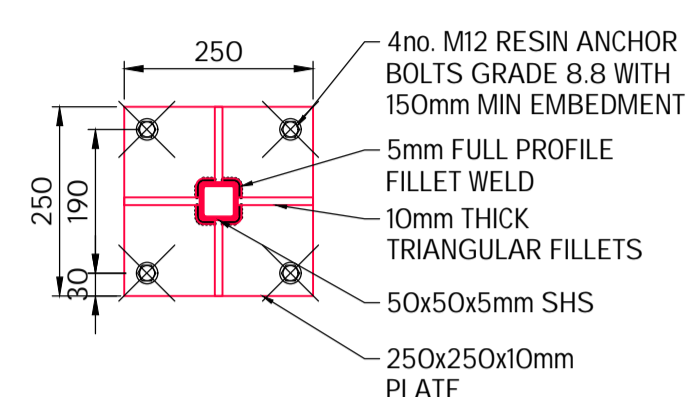
DO NOT SCALE THIS DRAWING.

Original Drawing Size A1

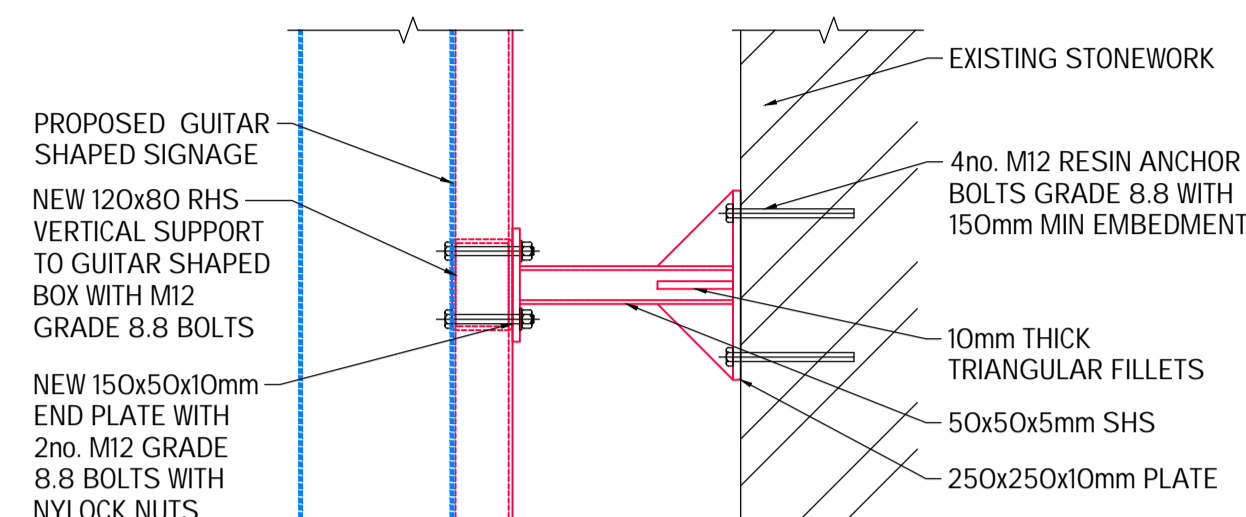
Notes

REFER TO DRAWINGS 4067-012 TO 016 FOR PROPOSED PLAN, FIXING AND SIGNAGE DETAILS

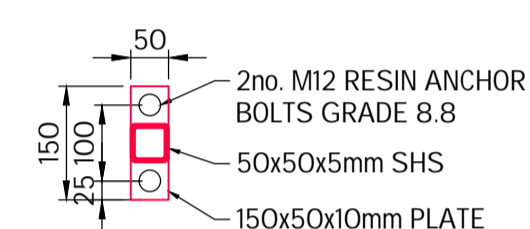
REFER TO DRAWINGS 4067-012 FOR GENERAL NOTES



DETAIL 1-PLAN OF WALL PLATE (SCALE 1:10 AT A1)

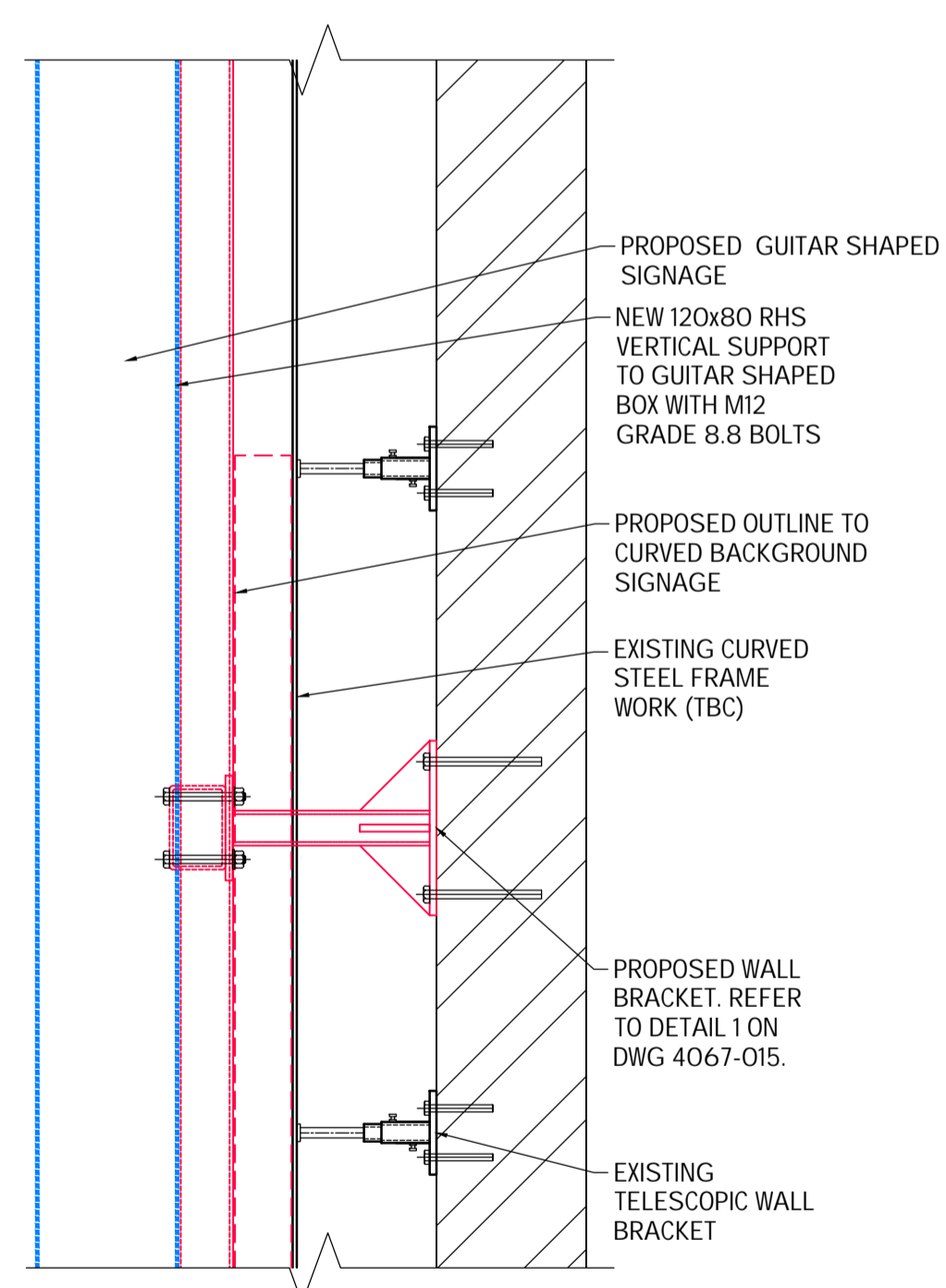


DETAIL 1-SECTION (SCALE 1:10 AT A1)

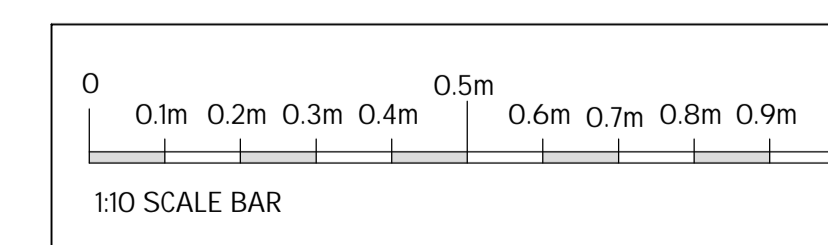


DETAIL 4-PLAN OF END PLATE (SCALE 1:10 AT A1)

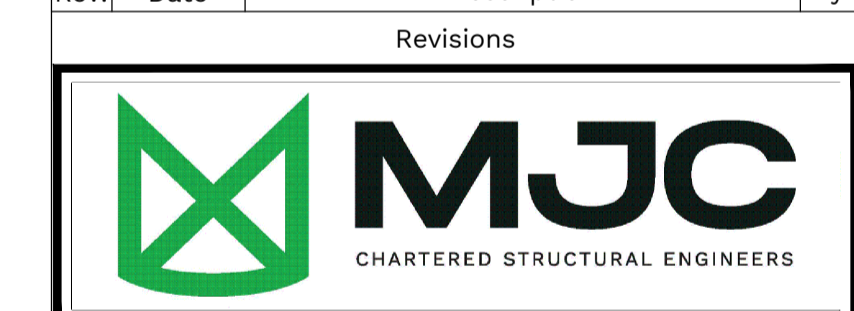
NOTE:
UPON REMOVAL OF THE BRACKETS, THE EXISTING FACADE IS TO BE MADE GOOD BY A HERITAGE STONE MASON



DETAIL 3-SECTION THROUGH SHOWING EXISTING FRAME WORK (SCALE 1:10 AT A1)



Rev.	Date	Description	By



Issuing Office
204 Bolton Road, Walkden
Manchester, M28 3BN
TEL: 0161 790 4404

Client
NEWMAN DISPLAYS LTD

Project
**SHAFTESBURY THEATRE,
LONDON
- SIGNAGE APPLICATION**

Drawing Title
**PROPOSED SIGNAGE FIXING
DETAILS**

Scale	Date	Drawn	Checked	Passed
AS SHOWN	FEB 2025	GT	---	---

Drawing No.
4067-015

PLANNING