

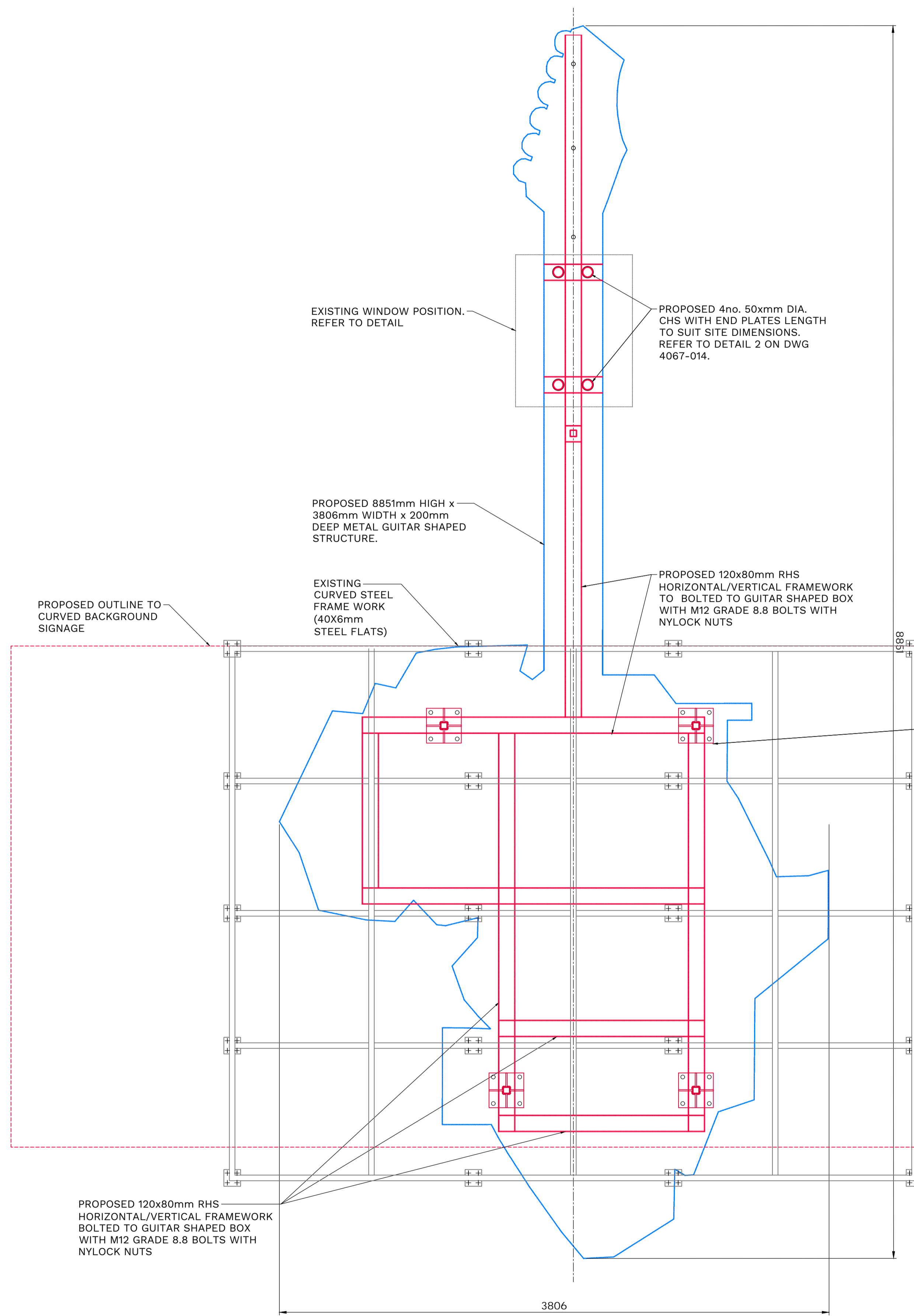
DO NOT SCALE THIS DRAWING.

Original Drawing Size A1

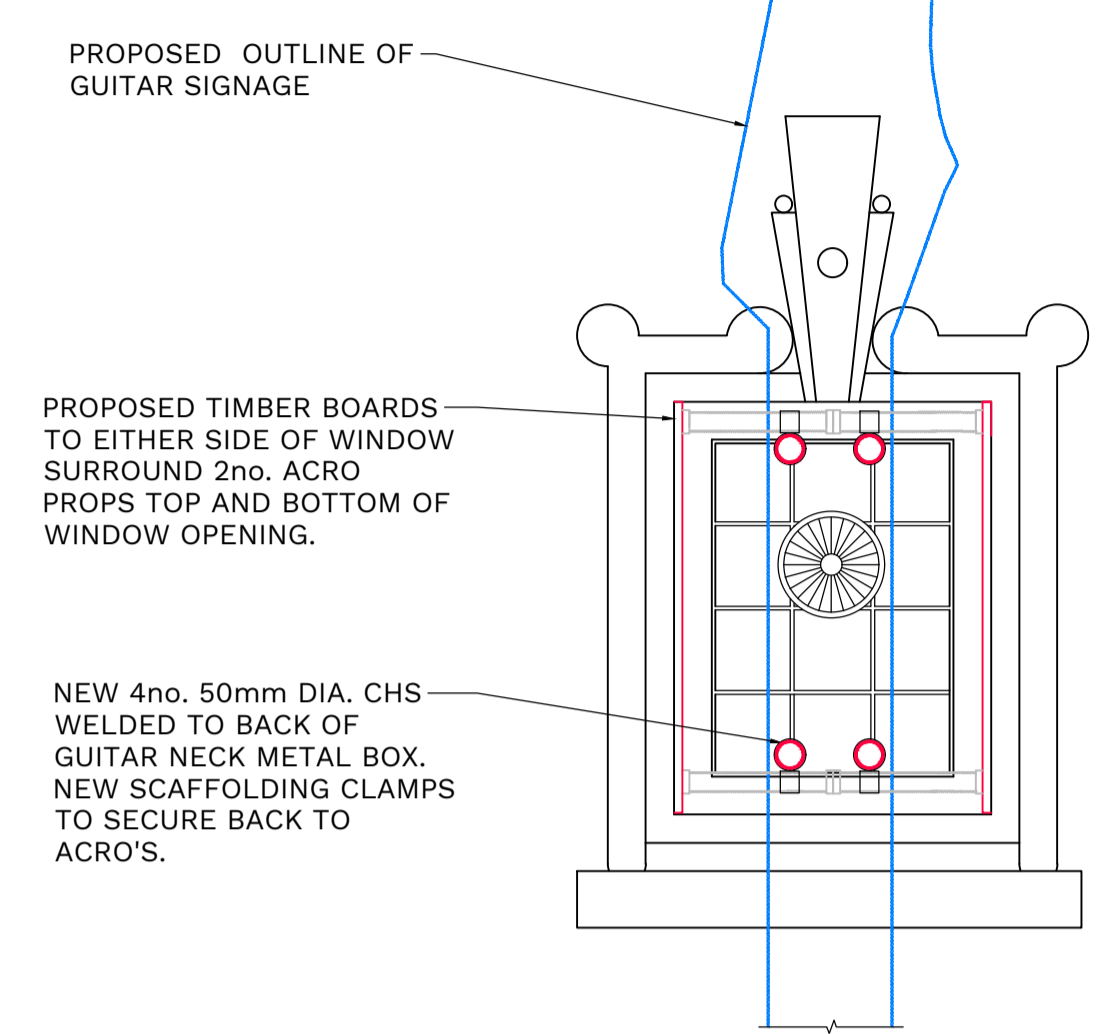
Notes

REFER TO DRAWINGS 4067-012 TO 016 FOR PROPOSED PLAN, FIXING AND SIGNAGE DETAILS

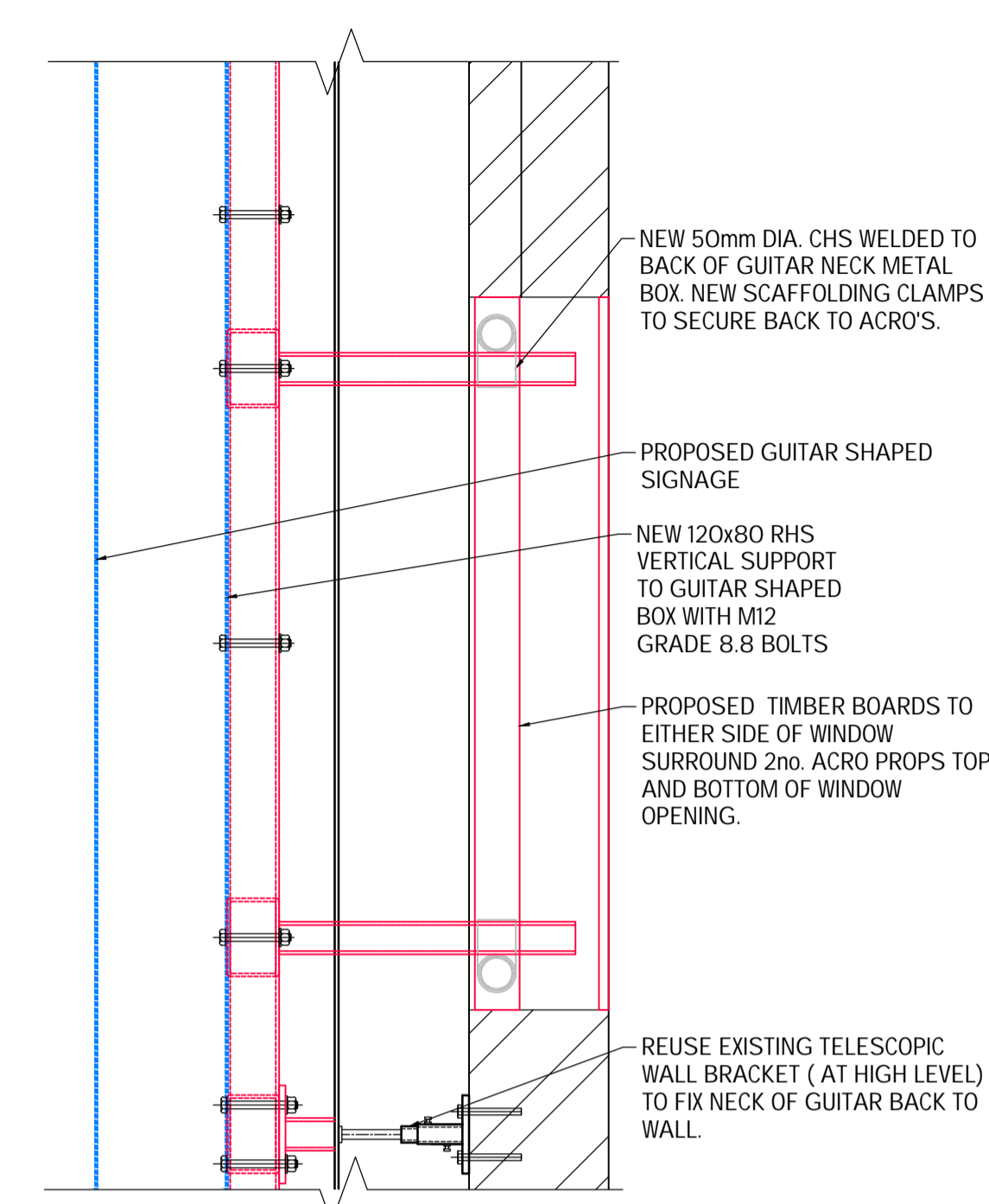
REFER TO DRAWINGS 4067-012 FOR GENERAL NOTES



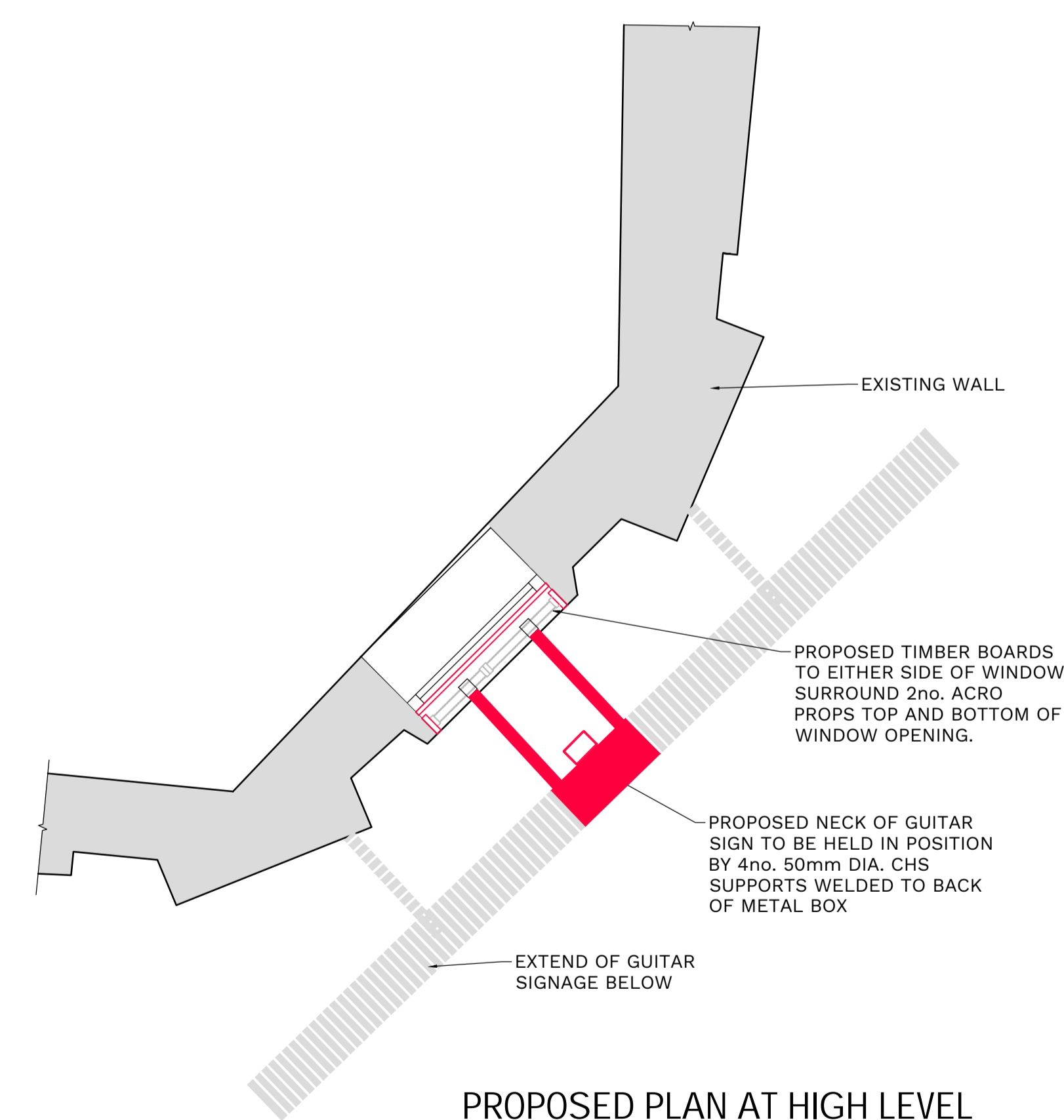
PROPOSED ELEVATION OF FRAMEWORK TO GUITAR (SCALE 1:20 AT A1)



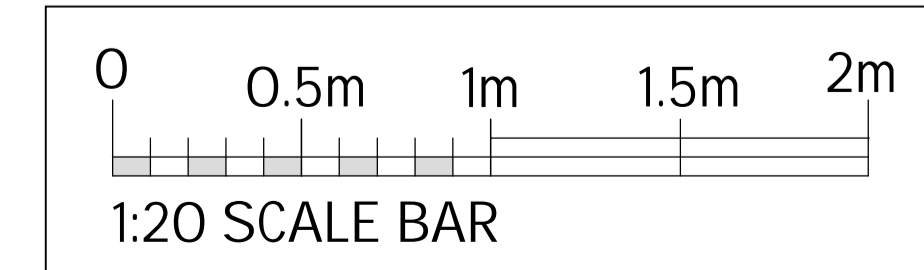
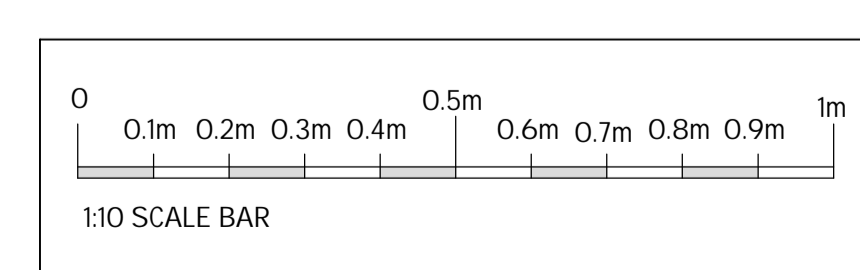
DETAIL 2-PROPOSED WINDOW ELEVATION (NECK OF GUITAR SHAPED BOX) (SCALE 1:20 AT A1)



DETAIL 2-SECTION THROUGH SHOWING SUPPORT AT WINDOW (SCALE 1:10 AT A1)



PROPOSED PLAN AT HIGH LEVEL (GUITAR NECK) (SCALE 1:20 AT A1)



Rev.	Date	Description	By
Revisions			



Issuing Office
204 Bolton Road, Walkden
Manchester, M28 3BN
TEL: 0161 790 4404

Client
NEWMAN DISPLAYS LTD

Project
SHAFTESBURY THEATRE, LONDON - SIGNAGE APPLICATION

Drawing Title
PROPOSED GUITAR-SHAPED SIGNAGE FIXING DETAILS

Scale	Date	Drawn	Checked	Passed
AS SHOWN	JAN 2025	GT	---	---

Drawing No. **4067-014**

PLANNING