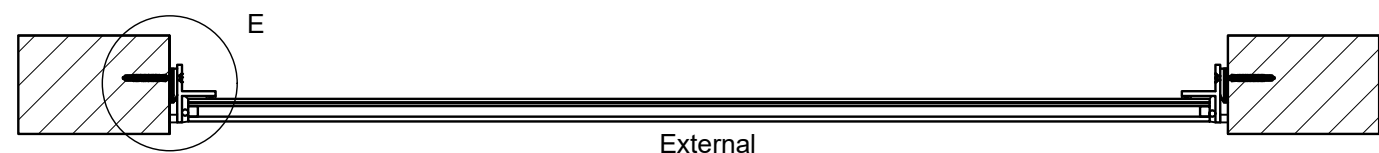
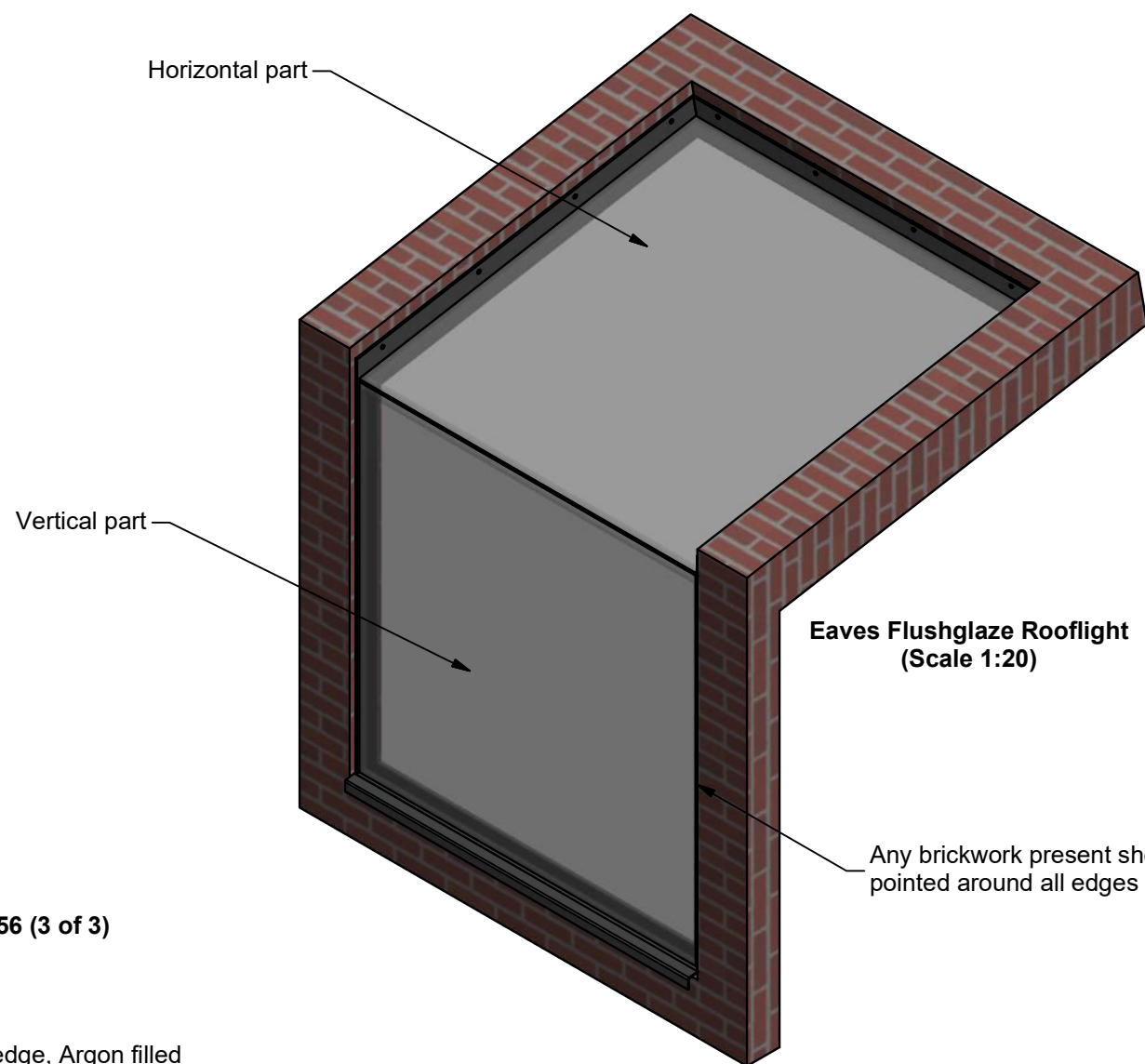
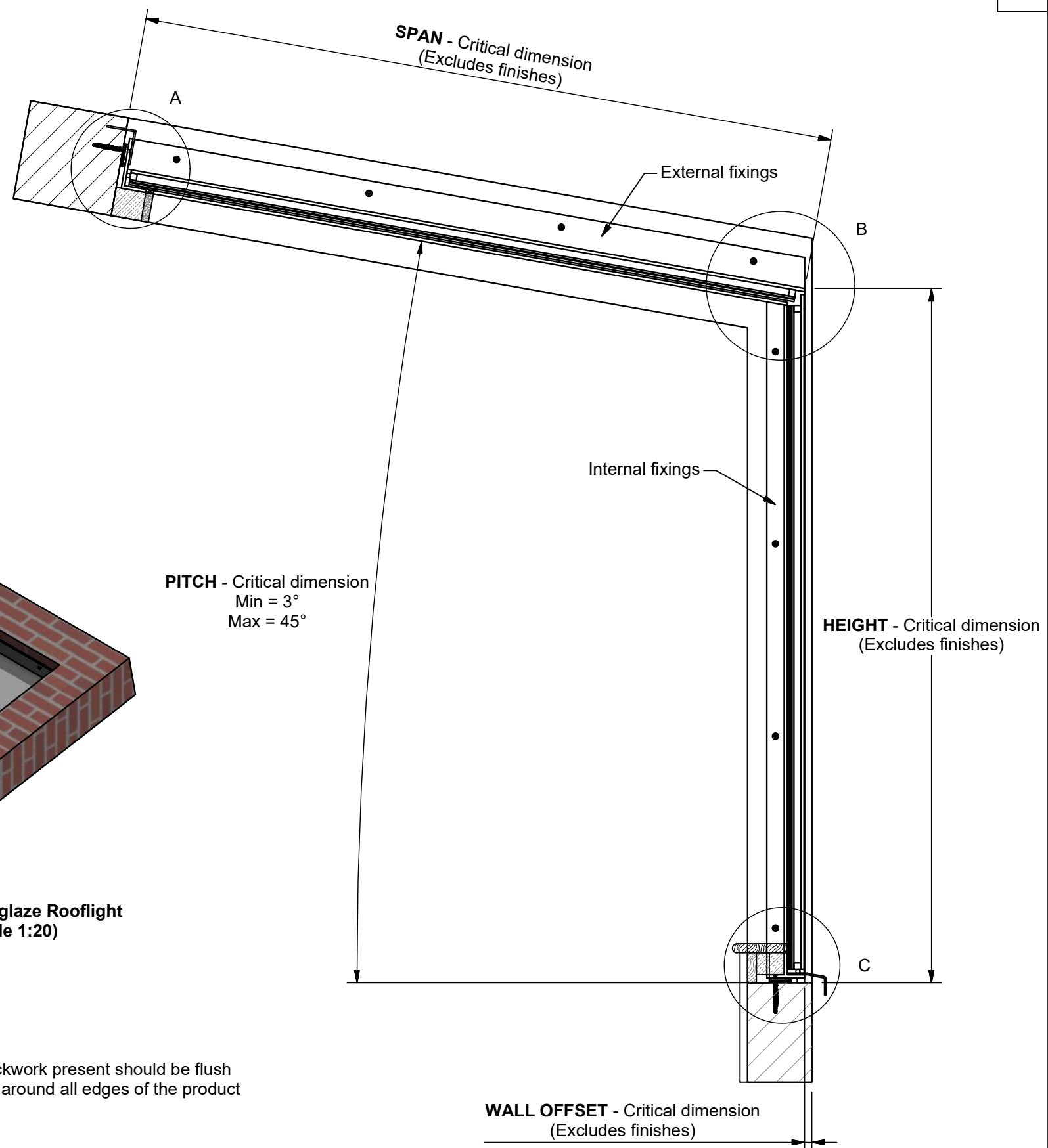


Section through horizontal part



Section through vertical part



For detail views refer to drawings:
402-ASS-056 (2 of 3) and 402-ASS-056 (3 of 3)

Standard Glass Specification:

Outer: 6mm Clear HST Toughened
Spacer: 14mm Black, Silicone, Warm edge, Argon filled
Inner: 9.5mm Clear Soft Low E Heat Strengthened Laminated

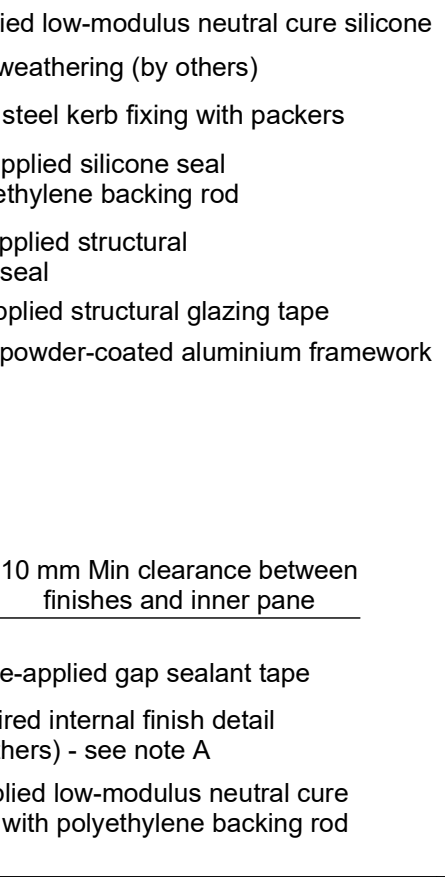
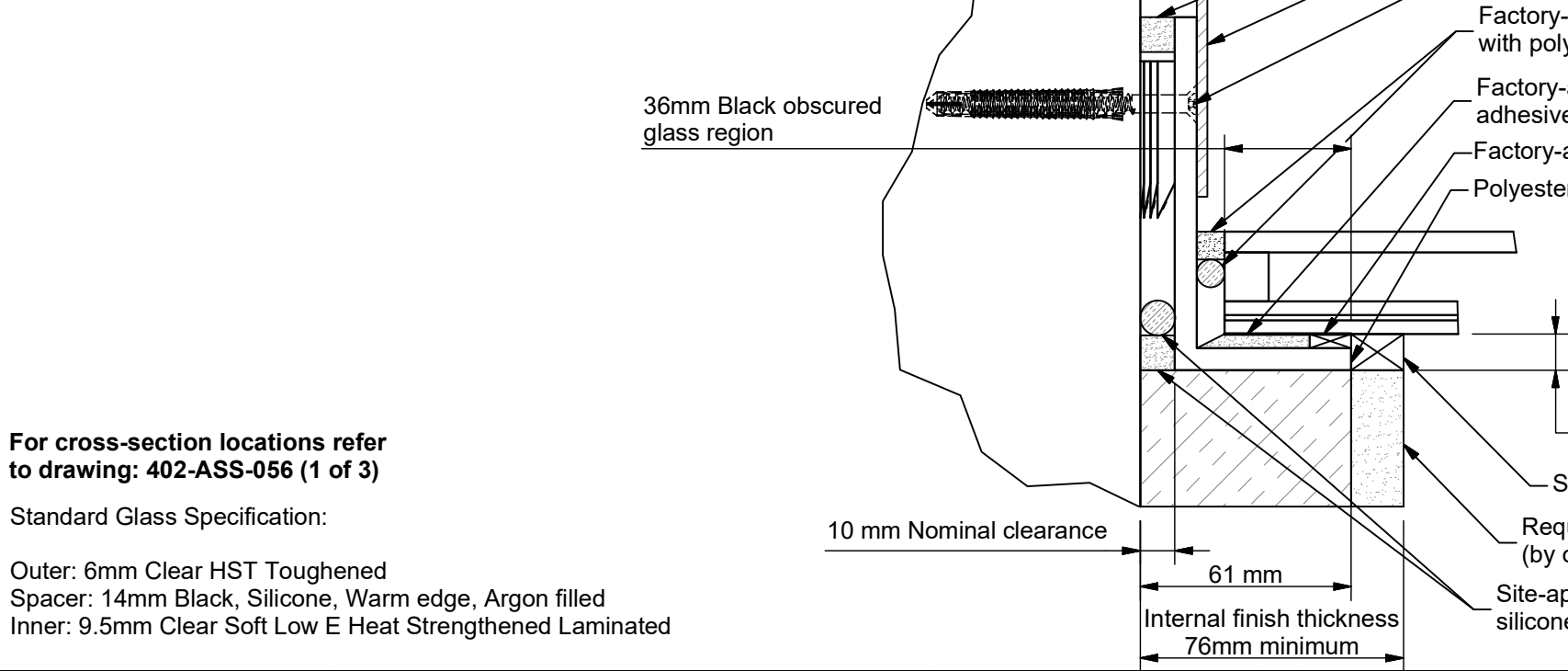
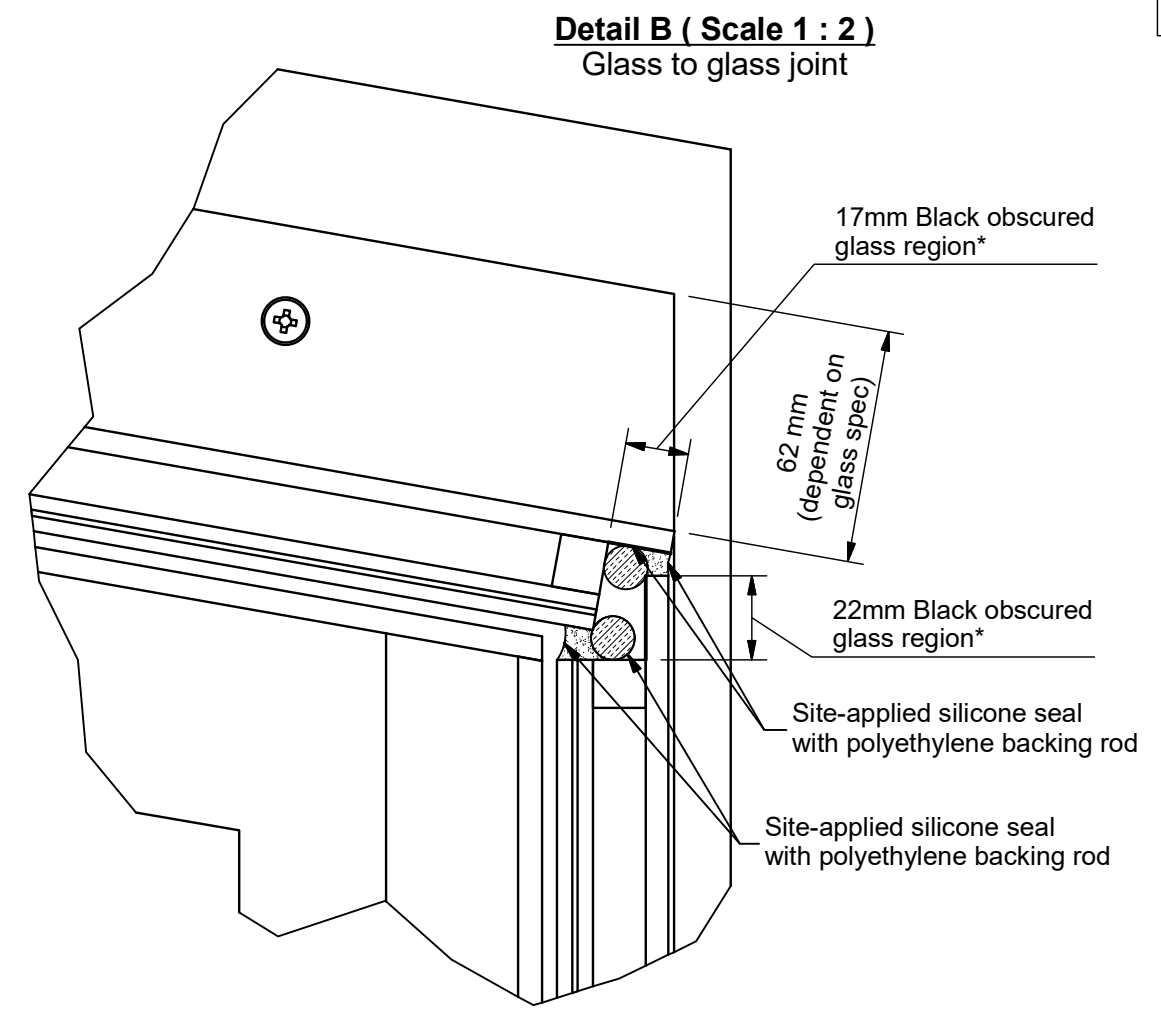
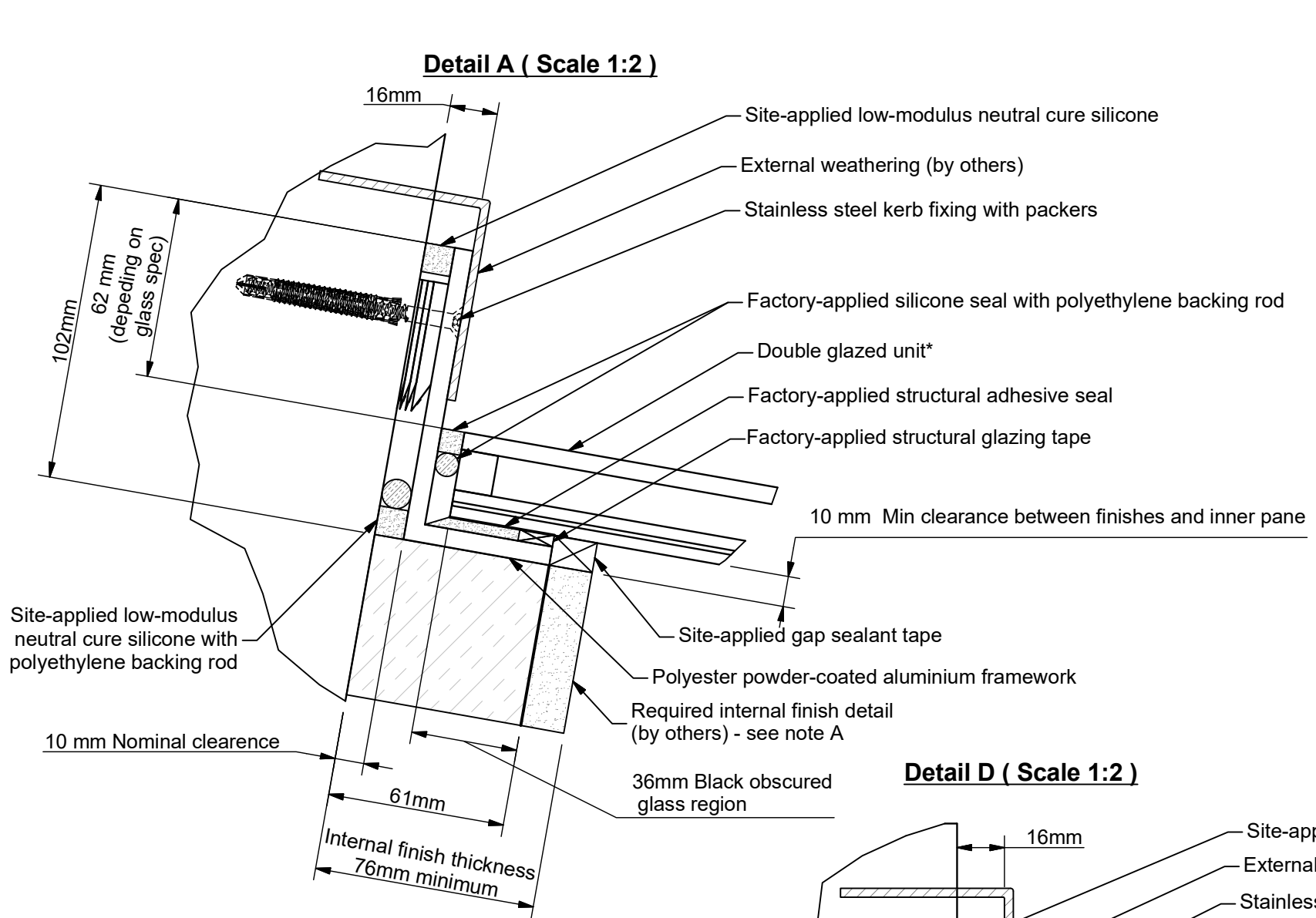
GLAZING VISION
Saw Mills Road
Diss
Norfolk
IP22 4RG
Tel: +44 (0)333 8000 881
Fax: +44 (0)333 8000 882
Email: sales@glazingvision.co.uk
Website: www.glazingvision.co.uk

IT IS GLAZING VISION'S POLICY TO CONTINUOUSLY DEVELOP AND IMPROVE OUR PRODUCTS. WE THEREFORE RESERVE THE RIGHT TO MODIFY OR CHANGE THE DETAIL DESIGN AT OUR DISCRETION AND WITHOUT PRIOR NOTICE. THIS DRAWING IS COPYRIGHT AND THE SOLE PROPERTY OF GLAZING VISION LTD. THE DESIGNS/INFORMATION IT CONTAINS ARE PRIVATE AND CONFIDENTIAL. IT MUST NOT BE COPIED, EXHIBITED OR COMMUNICATED TO THIRD PARTIES FOR ANY PURPOSE OTHER THAN THAT FOR WHICH IT WAS ISSUED WITHOUT THE WRITTEN PERMISSION OF GLAZING VISION LTD.

Third angle projection unless otherwise noted.
Tolerances:
Whole numbers = ±1mm
One decimal place = ±0.5mm
Two decimal places = ±0.2mm
All angles 90±0.5 degrees unless specified
IF IN DOUBT - ASK! DO NOT SCALE
Supplier to deburr & remove sharp corners

| Rev | Revision Description | Drawn/Date |
|-----|--|-------------------|
| J | Max pitch changed from 50deg to 45deg & weathered upstand note added | JSL 4/Dec/2020 |
| K | Cill flashing size increased, internal finish thickness dims added | HL 22/Jan/2021 |

| | |
|--|---|
| Product: 402 - GV Standard Eaves Flushglaze | Checked By: JSL |
| Description: Eaves Flushglaze | Check Date: 22/Jan/2021 |
| Materials: N/A | Drawn By: JWL |
| Finish: N/A | Drawn Date: 25/Jan/2017 |
| Weight: 373.749 kg | Quantity: N/A |
| Scale: 1:25 & 1:10 | Drawing No: 402-ASS-056 (1 of 3) |



For cross-section locations refer to drawing: 402-ASS-056 (1 of 3)

Standard Glass Specification:

Outer: 6mm Clear HST Toughened
 Spacer: 14mm Black, Silicone, Warm edge, Argon filled
 Inner: 9.5mm Clear Soft Low E Heat Strengthened Laminated

* Varies depending on glass specification.

Note A:
 Internal finishes supported on battens with an insulated gap to mask exposed wall mount detail. To be constructed (by others) after rooflight installation.

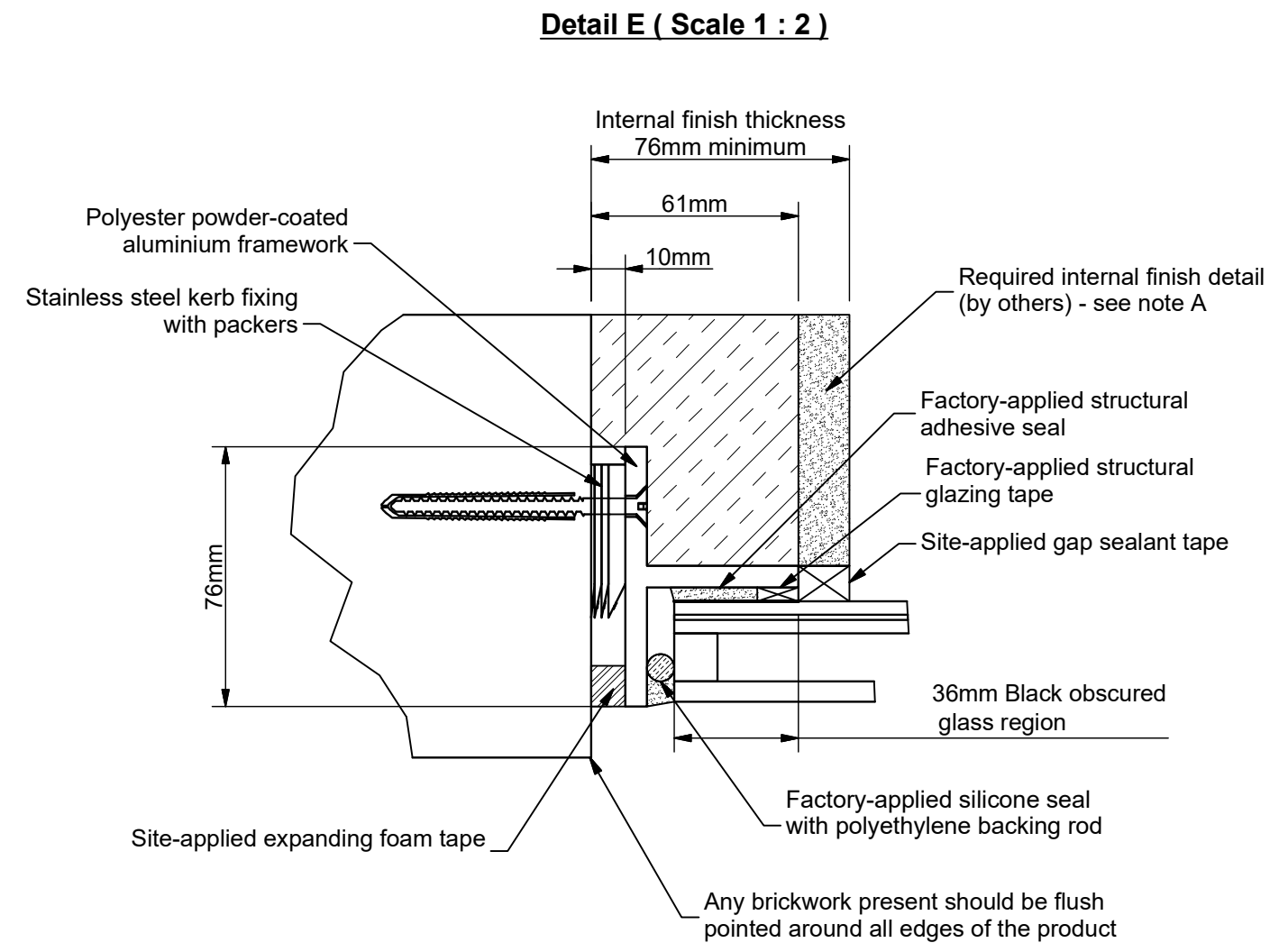
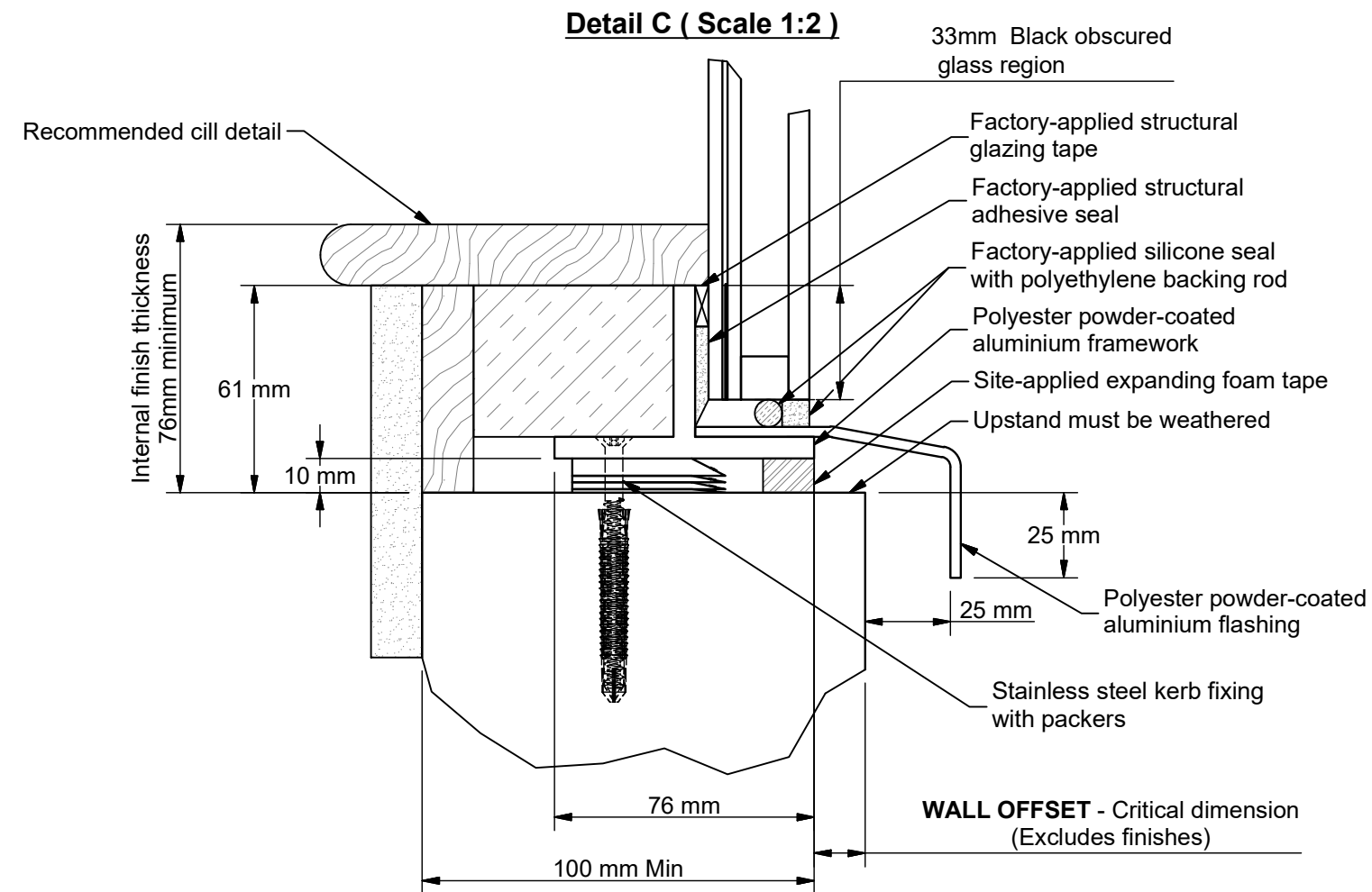
GLAZING VISION
 Saw Mills Road
 Diss
 Norfolk
 IP22 4RG
 Tel: +44 (0)333 8000 881
 Fax: +44 (0)333 8000 882
 Email: sales@glazingvision.co.uk
 Website: www.glazingvision.co.uk

IT IS GLAZING VISION'S POLICY TO CONTINUOUSLY DEVELOP AND IMPROVE OUR PRODUCTS. WE THEREFORE RESERVE THE RIGHT TO MODIFY OR CHANGE THE DETAIL DESIGN AT OUR DISCRETION AND WITHOUT PRIOR NOTICE. THIS DRAWING IS COPYRIGHT AND THE SOLE PROPERTY OF GLAZING VISION LTD. THE DESIGNS/INFORMATION IT CONTAINS ARE PRIVATE AND CONFIDENTIAL. IT MUST NOT BE COPIED, EXHIBITED OR COMMUNICATED TO THIRD PARTIES FOR ANY PURPOSE OTHER THAN THAT FOR WHICH IT WAS ISSUED WITHOUT THE WRITTEN PERMISSION OF GLAZING VISION LTD.

Third angle projection unless otherwise noted.
 Tolerances:
 Whole numbers = ±1mm
 One decimal place = ±0.5mm
 Two decimal places = ±0.2mm
 All angles 90±0.5 degrees unless specified
IF IN DOUBT - ASK! DO NOT SCALE
Supplier to deburr & remove sharp corners

| Rev | Revision Description | Drawn/Date |
|-----|--|-------------------|
| J | Max pitch changed from 50deg to 45deg & weathered upstand note added | JSL 4/Dec/2020 |
| K | Cill flashing size increased, internal finish thickness dims added | HL 22/Jan/2021 |

| | |
|--|---|
| Product: 402 - GV Standard Eaves Flushglaze | Checked By: JSL |
| Description: Eaves Flushglaze | |
| Materials: N/A | Check Date: 22/Jan/2021 |
| Finish: N/A | Drawn By: JWL |
| Weight: 373.749 kg | Drawn Date: 25/Jan/2017 |
| Quantity: N/A | Drawing No: 402-ASS-056 (2 of 3) |
| Scale: 1:2 | |



For cross-section locations refer to drawing: 402-ASS-056 (1 of 3)

Standard Glass Specification:

Outer: 6mm Clear HST Toughened
 Spacer: 14mm Black, Silicone, Warm edge, Argon filled
 Inner: 9.5mm Clear Soft Low E Heat Strengthened Laminated

Note A:
 Internal finishes supported on battens with an insulated gap to mask exposed wall mount detail.
 To be constructed (by others) after rooflight installation.

| | | | | | | | |
|--|--|--|--|---|---------------------------|---|------------------------------------|
| <p>Saw Mills Road Diss Norfolk IP22 4RG</p> <p>Tel: +44 (0)333 8000 881 Fax: +44 (0)333 8000 882 Email: sales@glazingvision.co.uk Website: www.glazingvision.co.uk</p> | <p>IT IS GLAZING VISION'S POLICY TO CONTINUOUSLY DEVELOP AND IMPROVE OUR PRODUCTS. WE THEREFORE RESERVE THE RIGHT TO MODIFY OR CHANGE THE DETAIL DESIGN AT OUR DISCRETION AND WITHOUT PRIOR NOTICE. THIS DRAWING IS COPYRIGHT AND THE SOLE PROPERTY OF GLAZING VISION LTD. THE DESIGNS/INFORMATION IT CONTAINS ARE PRIVATE AND CONFIDENTIAL. IT MUST NOT BE COPIED, EXHIBITED OR COMMUNICATED TO THIRD PARTIES FOR ANY PURPOSE OTHER THAN THAT FOR WHICH IT WAS ISSUED WITHOUT THE WRITTEN PERMISSION OF GLAZING VISION LTD.</p> | <p>Third angle projection unless otherwise noted. Tolerances: Whole numbers = ±1mm One decimal place = ±0.5mm Two decimal places = ±0.2mm All angles 90±0.5 degrees unless specified IF IN DOUBT - ASK! DO NOT SCALE Supplier to deburr & remove sharp corners</p> | <p>Rev</p> | <p>Revision Description</p> | <p>Drawn/Date</p> | <p>Product: 402 - GV Standard Eaves Flushglaze Description: Eaves Flushglaze</p> | <p>Checked By: JSL</p> |
| | | | <p>J</p> | <p>Max pitch changed from 50deg to 45deg & weathered upstand note added</p> | <p>JSL 4/Dec/2020</p> | <p>Materials: N/A Finish: N/A</p> | <p>Check Date: 22/Jan/2021</p> |
| <p>K</p> | <p>Cill flashing size increased, internal finish thickness dims added</p> | <p>HL 22/Jan/2021</p> | <p>Weight: 373.749 kg Quantity: N/A Scale: 1:2</p> | <p>Drawn By: JWL Drawn Date: 25/Jan/2017 Drawing No: 402-ASS-056 (3 of 3)</p> | | | |