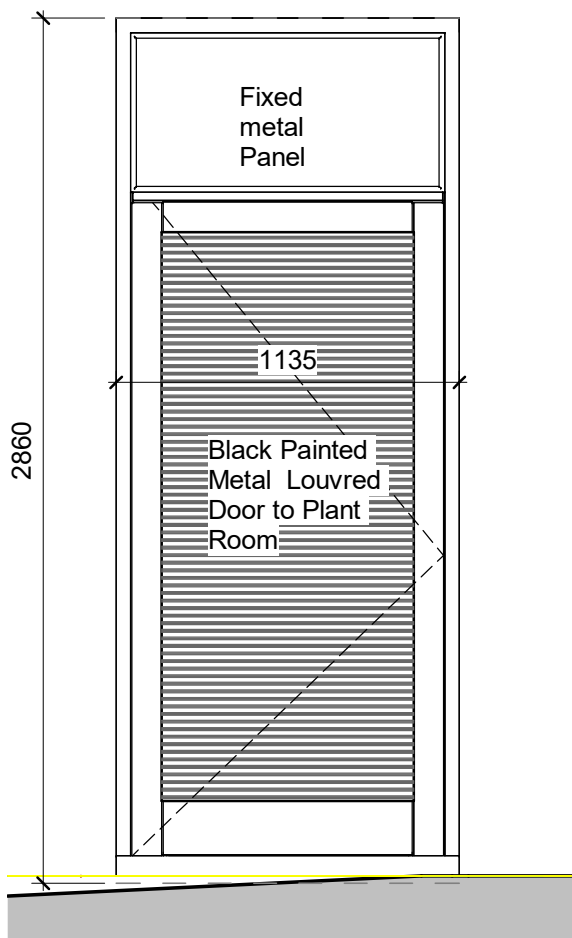


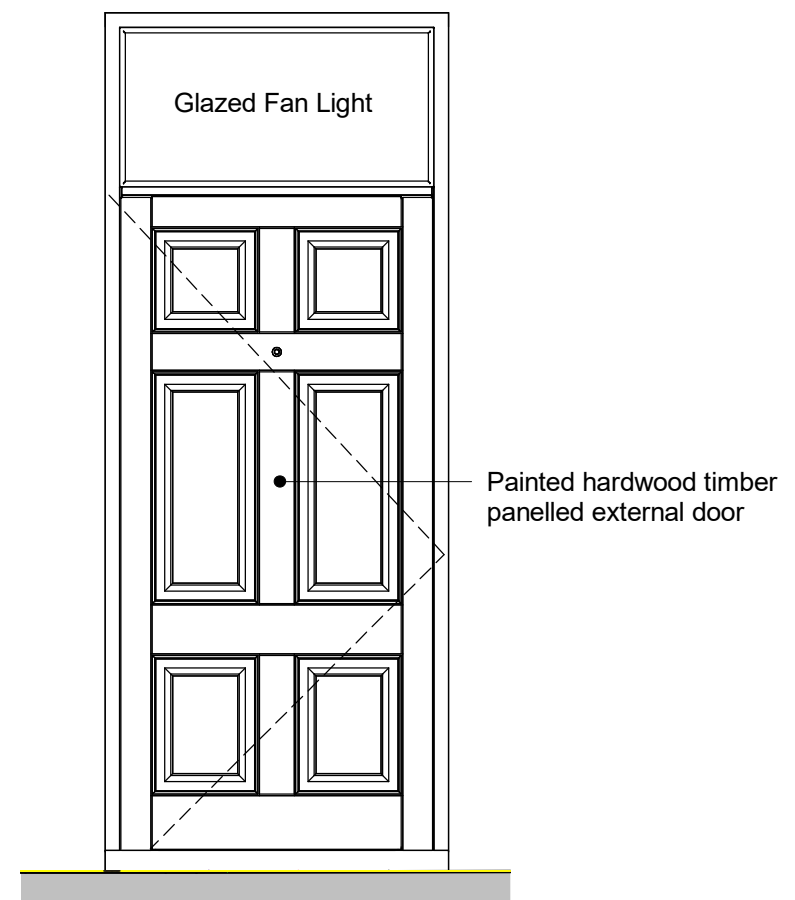
XDG01 - Front Entrance Door - Elevation

1 : 25



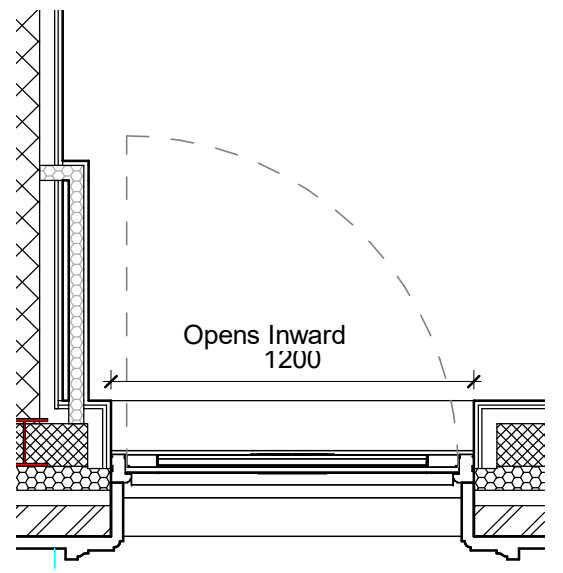
XDG05 - Side Door to Plant Room- Elevation

1 : 25



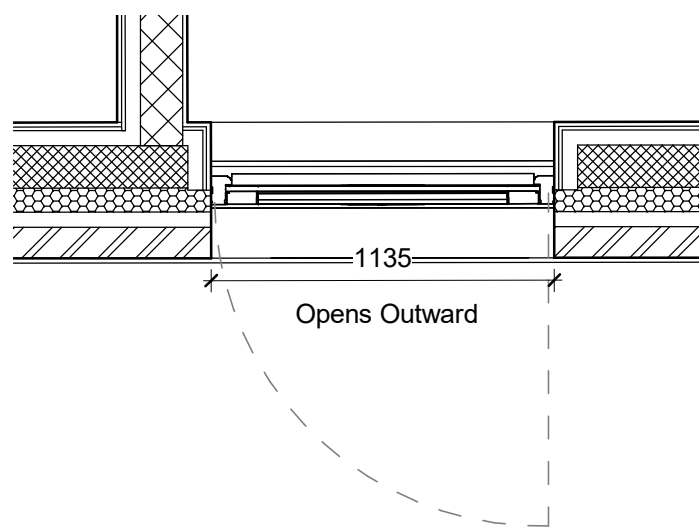
XDG04 - Side Door - Elevation

1 : 25



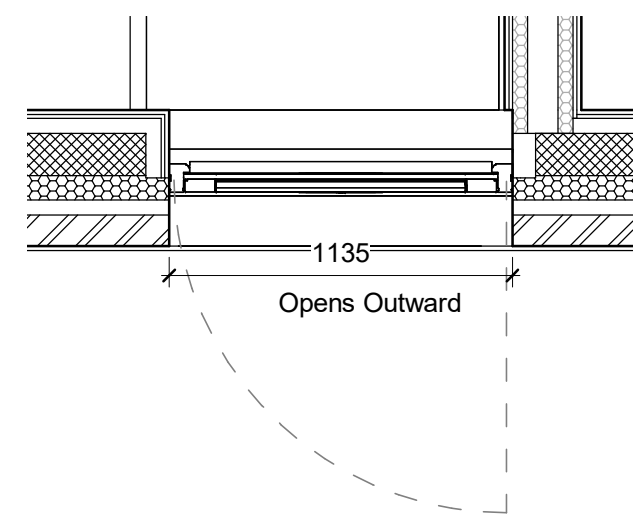
XDG01 - Front Entrance Door - Plan

1 : 25



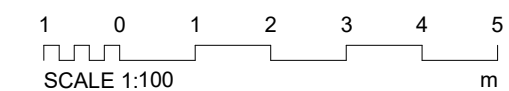
XDG05 - Side Door to Plant Room - Plan

1 : 25



XDG04 - Side Door - Plan

1 : 25



Rev	Description	Date
0	External Door Issue	21.01.25



WOLFF ARCHITECTS

16 Lambton Place
 Notting Hill
 London W11 2SH
 t 02072293125
 f 02072293257
 e info@wolffarchitects.co.uk

CONSTRUCTION

project:
**7 Redington Gardens
 London NW3 7RU**

drawing title:
External Doors

date: 01/06/25	scale: 1 : 25
dwg no: 2252-CN-624	rev no: 0