



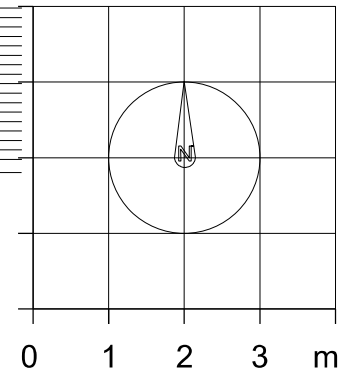
*Datum: 95.00m.*

**Proposed Front Elevation**



*Datum: 95.00m.*

**Proposed Rear Elevation**



Revision

Project Title  
Flat 1, 2 St Georges Terrace  
NW1 8XH

Drawing Title

Proposed Front and Rear Elevation

Client  
Mr Ervis Pajo

Scale  
1:100@A3

Date  
June 2024

Drg. No.  
0624\_00\_101

Notes

All dimensions must be checked and NEO Architects are to be informed of any discrepancies prior to construction. This drawing and any of the details therein remain the copyright of NEO Architects.

NEO Architects  
105a Park Road  
New Barnet  
EN4 9QR

Phone +44 (0) 20 33040480  
Mobile 07802 237666

michael@neearchitects.co.uk