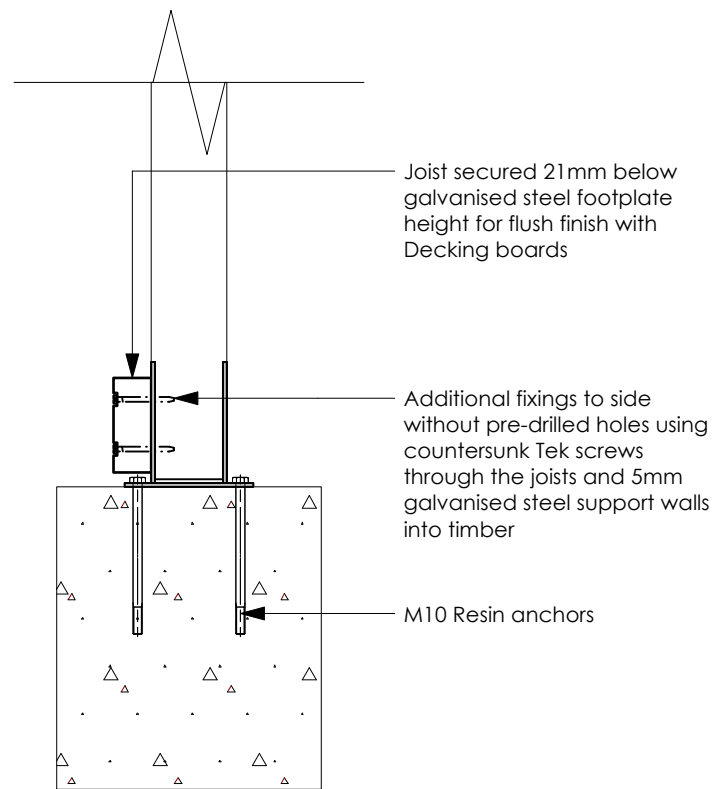
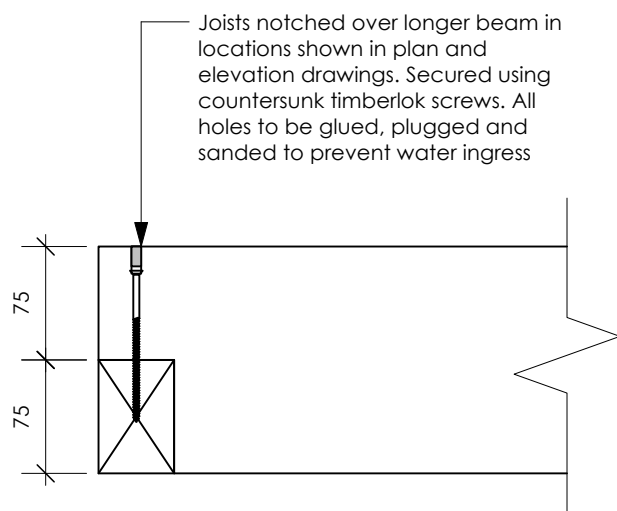


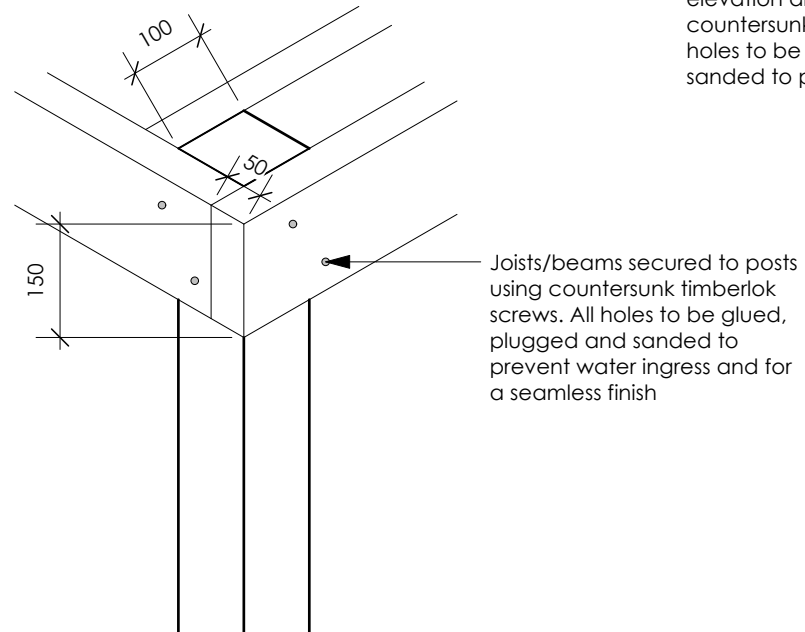
1 JOIST FIXING THROUGH STEEL PERGOLA SUPPORTS SECTION DETAIL
1:10@A3



2 SECONDRY JOIST FIXING THROUGH STEEL PERGOLA SUPPORTS SECTION DETAIL
1:10@A3

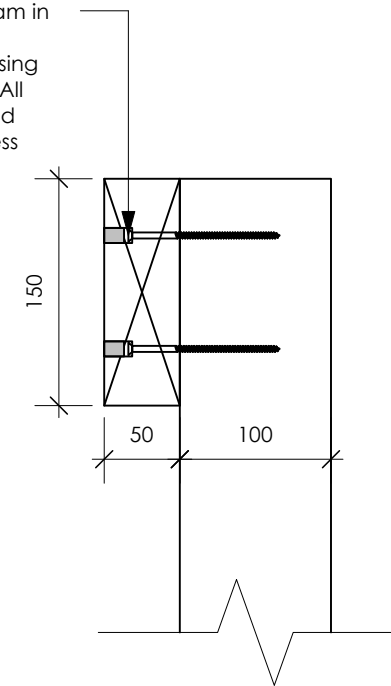


3 PERGOLA JOIST NOTCHING SECTION DETAIL
1:5@A3



4 JOIST TO POST FIXING AXO
1:10@A3

Joists notched over longer beam in locations shown in plan and elevation drawings. Secured using countersunk timberlok screws. All holes to be glued, plugged and sanded to prevent water ingress



5 JOIST TO POST FIXING SECTION
1:5@A3

GENERAL NOTES.

This drawing remains the copyright of Phil Allen Design Limited. All dimensions to be checked prior to commencement of any works, and/or preparation of any shop drawings on site. Any dimensional discrepancies and alterations to be referred to the Landscape Architect.

DO NOT SCALE FROM THIS DRAWING.

Iss	Date	Issue notes	Drawn	Checked	Approved
1	250129	STAGE 4	KG	BB	PA



PAD Landscapes Ltd + landscape architecture + public realm + garden design
T +44 (0)1273 602 538 | M +44 (0)7913 363 279 | www.padlandscapes.com
chartered landscape architects and designers | 6 marlborough place, brighton, bn1 1ub

project no.	drawing no.	issue
099	212	1
client	Garth Hotel Limited	
project	69 Gower Street	
	London	
drawing	Pergola Fixing Details	
	scale	1:25@A3