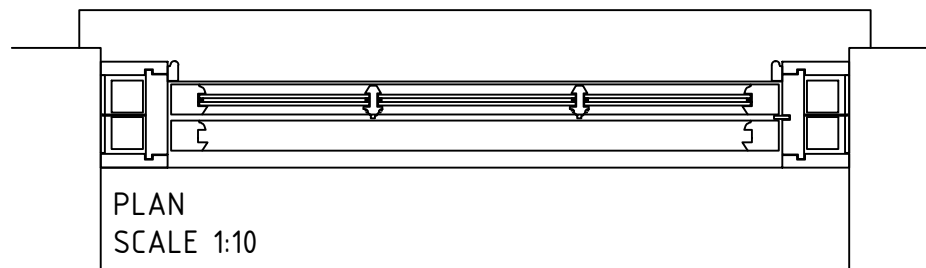
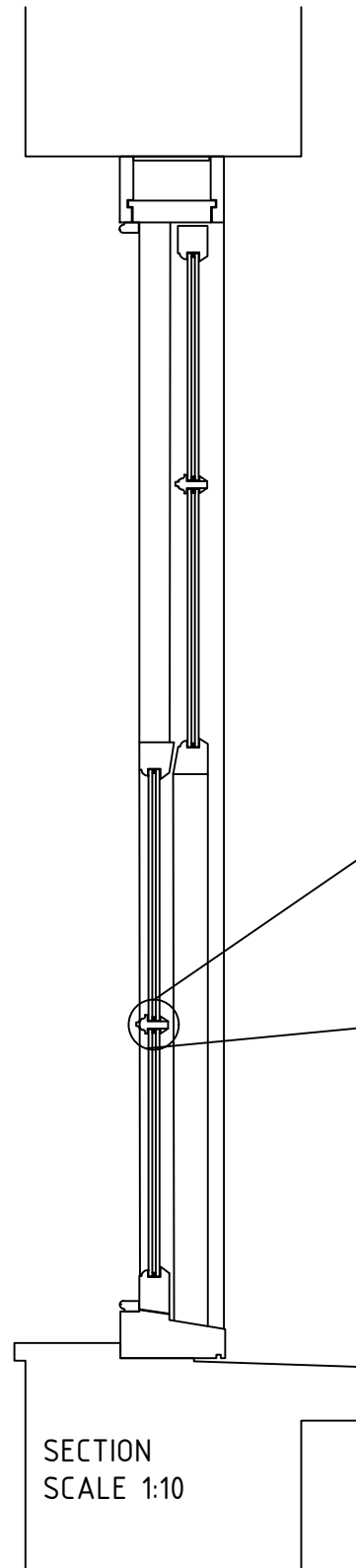


ELEVATION
SCALE 1:10



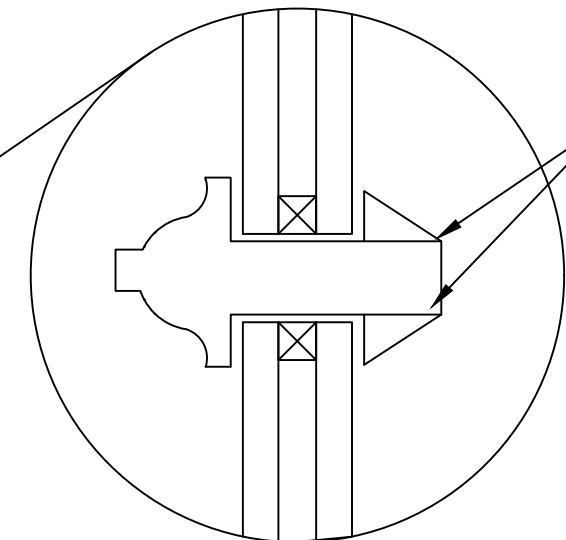
PLAN
SCALE 1:10



SECTION
SCALE 1:10

DOCUMENT NOTES:

1. THIS DRAWING AND DESIGN ARE FOR USE SOLELY IN CONNECTION WITH THE PROJECT DESCRIBED BELOW.
2. THIS DRAWING AND DESIGN ARE THE PROPERTY OF AS STUDIO AND MUST NOT BE ISSUED, LOANED OR COPIED WITHOUT WRITTEN CONSENT.
3. PLEASE NOTE THAT THIS IS A CONCEPT LAYOUT DRAWING ONLY AND SHOULD NOT BE USED FOR CONSTRUCTION PURPOSES.
4. FURNITURE AND FITTINGS SHOWN ON DRAWING ARE FOR INDICATIVE PURPOSES TO PROVIDE A SENSE OF THE SPACE/AREA DRAWN.
5. ALL STRUCTURAL CHANGES ASSOCIATED WITH THE NEW PROPOSED LAYOUT ARE SUBJECT TO STRUCTURAL ENGINEER APPROVAL AND ASSOCIATED STRUCTURAL ALTERATIONS TO ACCOMMODATE THE PROPOSED WORKS



Glazing Putty
on both sides

TYPICAL GLAZING BAR DETAIL
SCALE 1:1

Slenderpane -
Hardwood Slimline
Heritage Double Glazing.
Painted white to match
existing