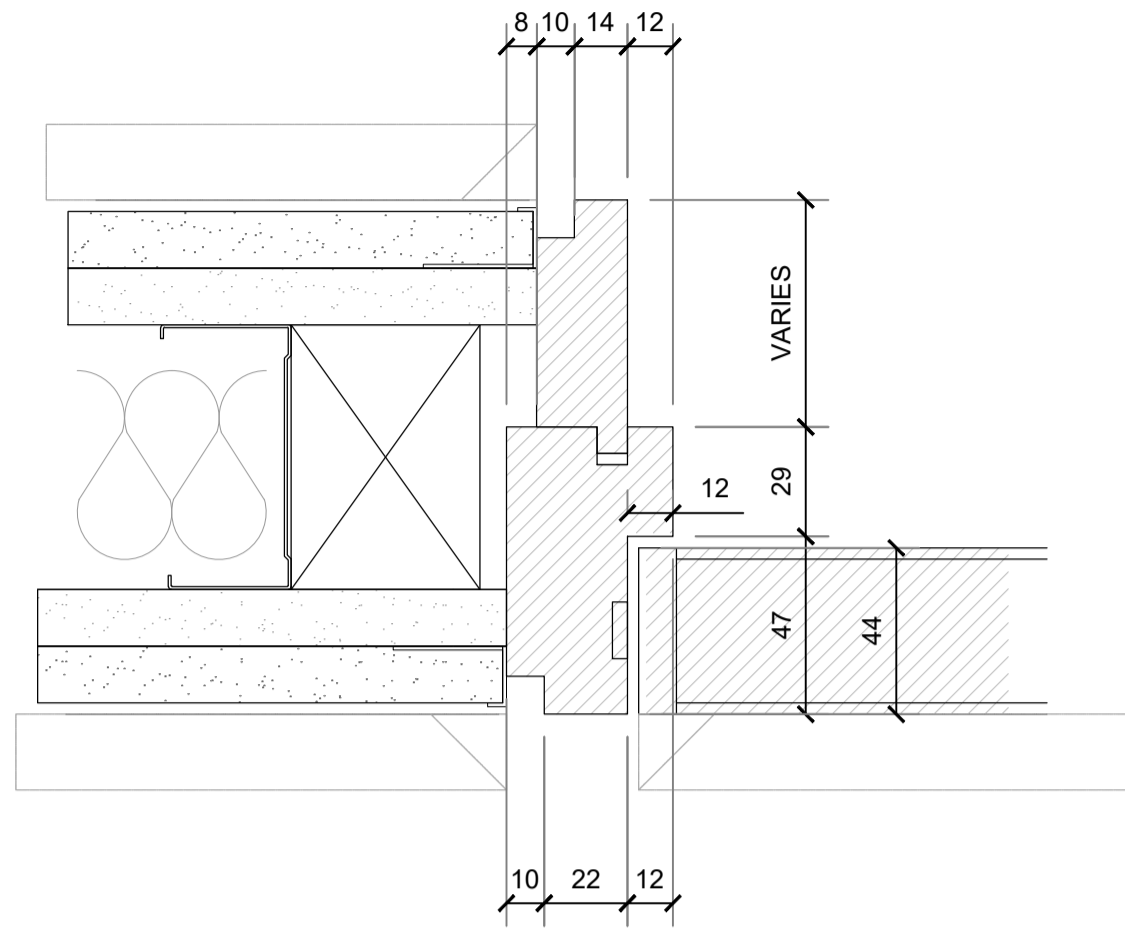
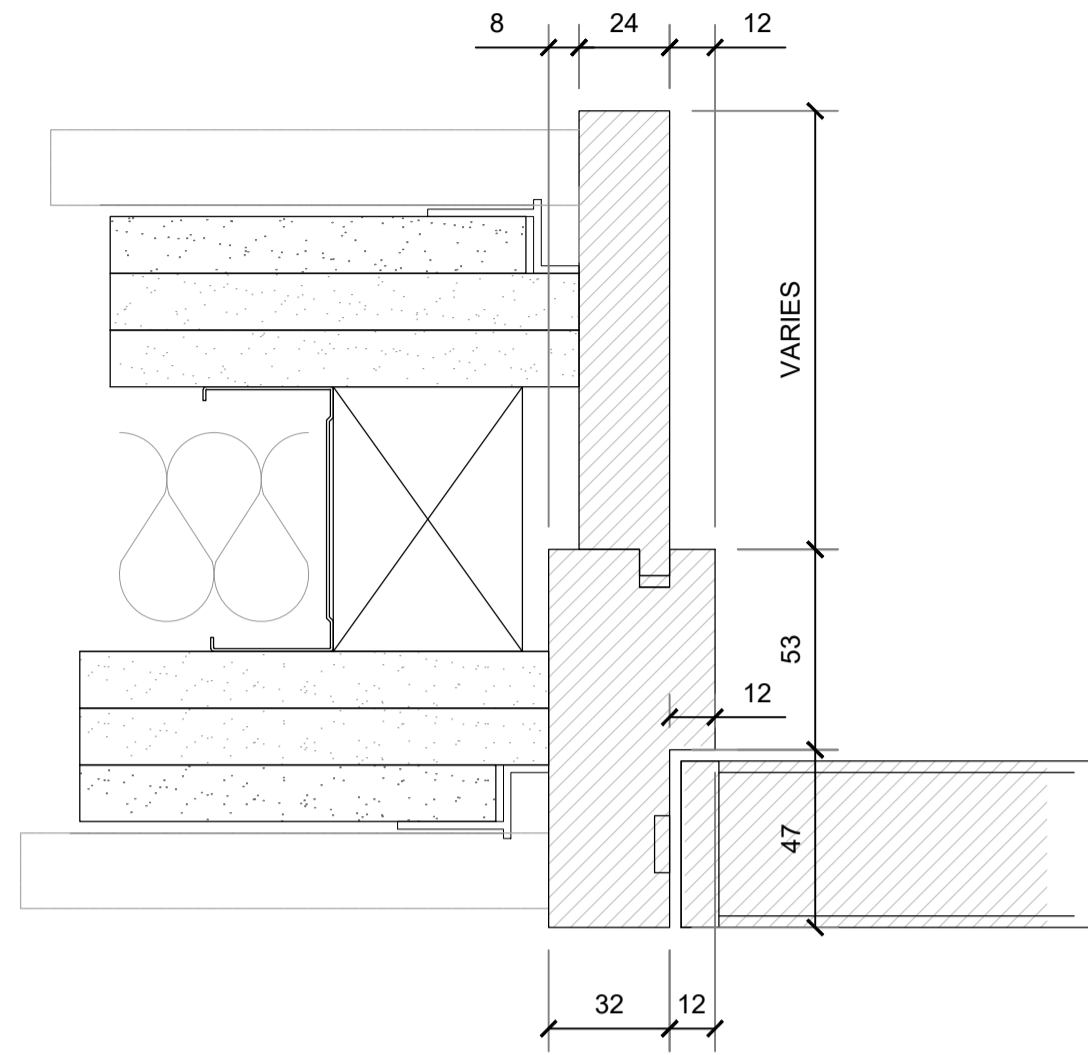


JAMB: TIMBER  
DOOR: STANDARD  
HINGE: BUTT  
WALL SKIRTING: RETURN MITRE  
DOOR SKIRTING: RETURN MITRE  
PLASTERBOARD EDGE: FLAT END TRIM  
NBS SPECIFICATION: L20-414 L20-415



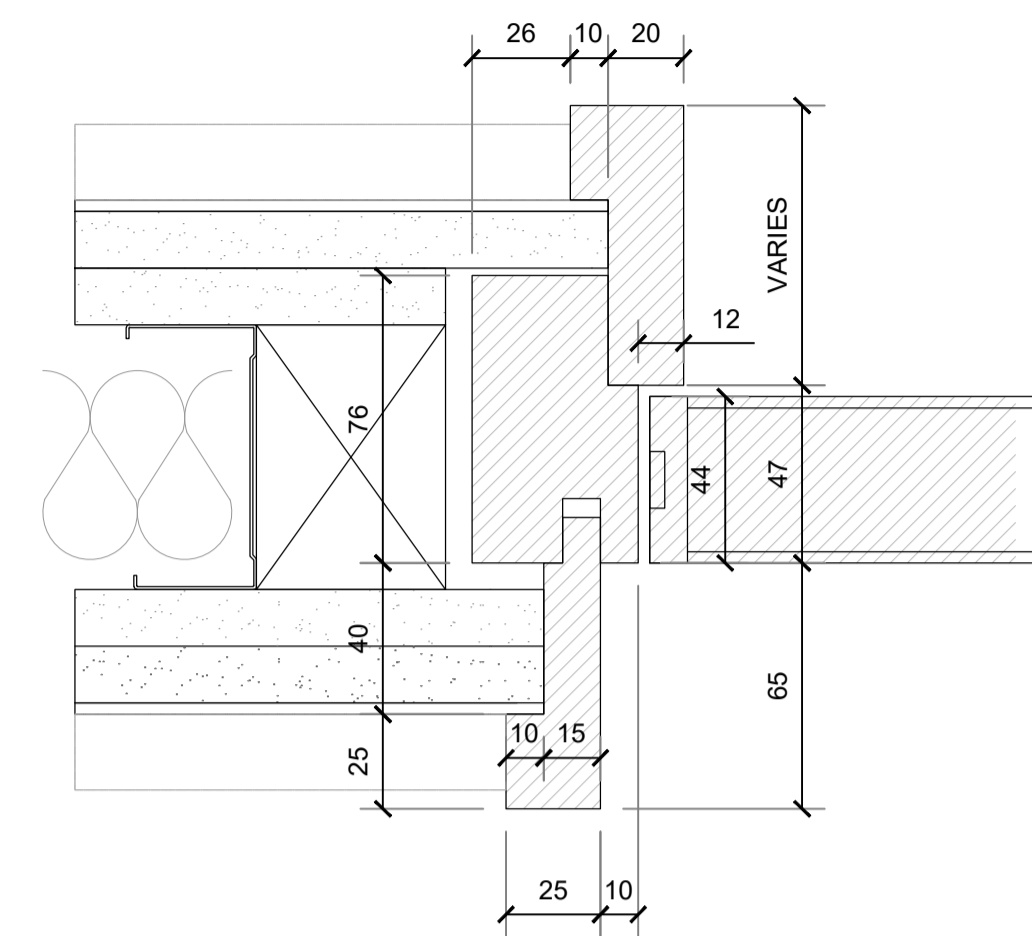
A JAMB DETAIL A  
1:2

JAMB: TIMBER  
DOOR: STANDARD  
HINGE: BUTT  
WALL SKIRTING: DIES INTO DOOR FRAME  
DOOR SKIRTING: NONE  
PLASTERBOARD EDGE: SHADOW GAP  
OTHER: ADDITIONAL LAYER OF PB REQUIRED  
NBS SPECIFICATION: L20-414 L20-415



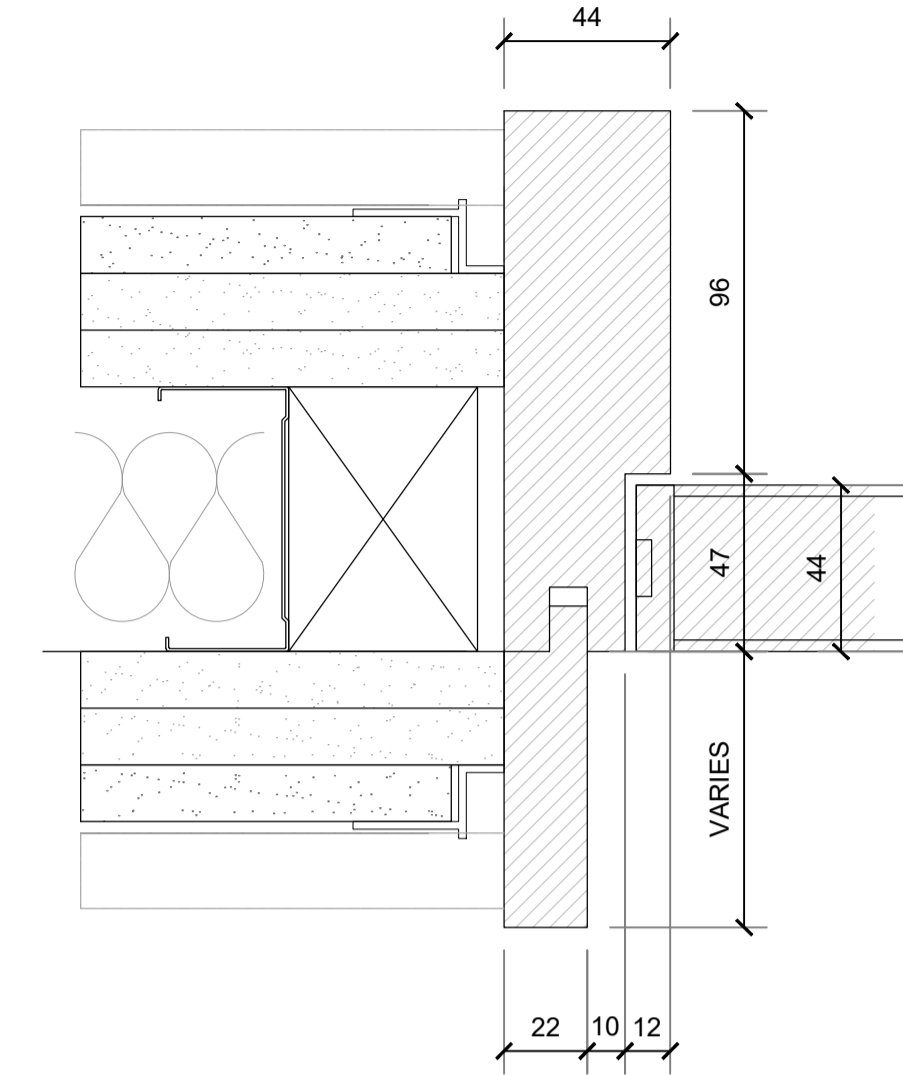
B JAMB DETAIL B  
1:2

JAMB: TIMBER  
DOOR: STANDARD  
HINGE: BUTT  
WALL SKIRTING: DIES INTO DOOR FRAME  
DOOR SKIRTING: NONE  
PLASTERBOARD EDGE: HIDDEN  
NBS SPECIFICATION: L20-414 L20-415



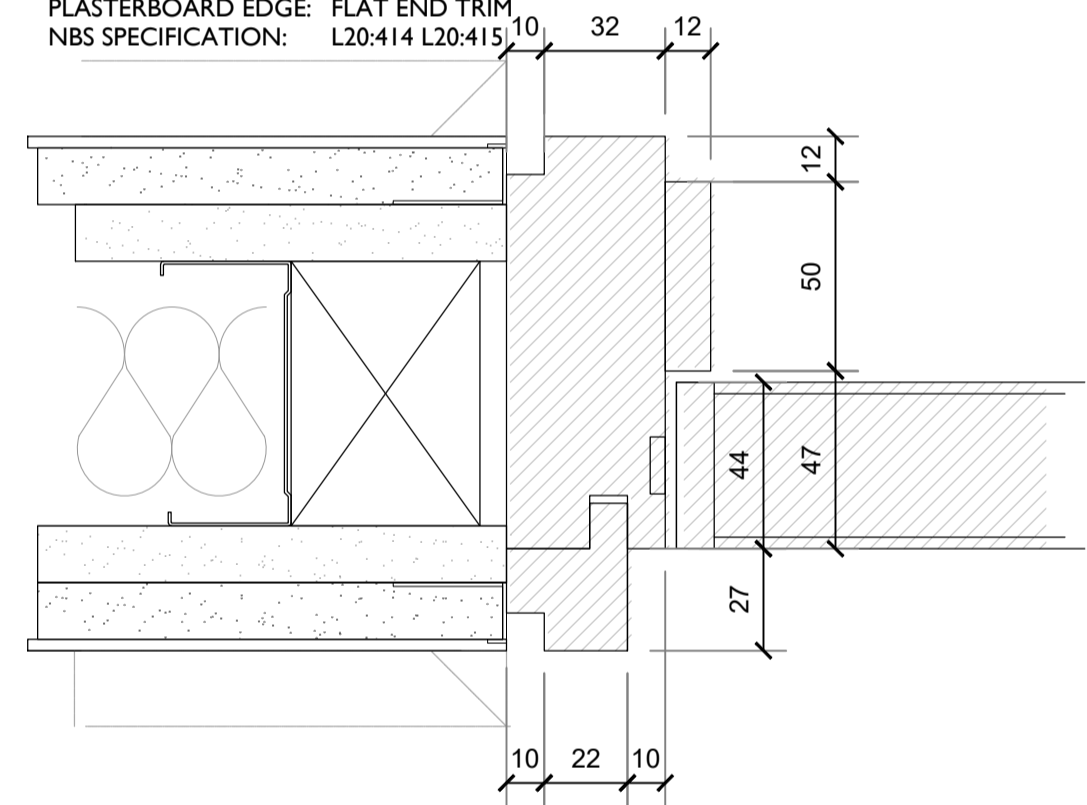
C JAMB DETAIL C  
1:2

JAMB: TIMBER  
DOOR: STANDARD  
HINGE: BUTT  
WALL SKIRTING: DIES INTO DOOR FRAME  
DOOR SKIRTING: NONE  
PLASTERBOARD EDGE: SHADOW GAP  
OTHER: ADDITIONAL LAYER OF PB REQUIRED  
NBS SPECIFICATION: L20-414 L20-415



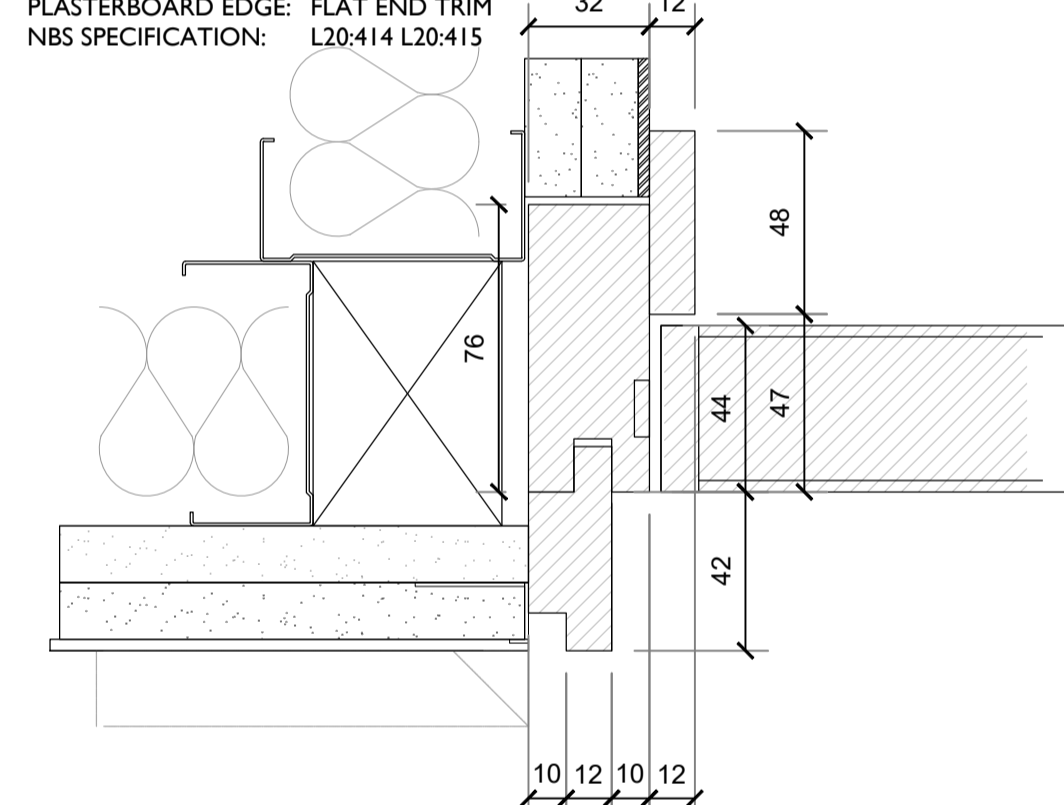
D JAMB DETAIL D  
1:2

JAMB: TIMBER  
DOOR: STANDARD  
HINGE: BUTT  
WALL SKIRTING: RETURN MITRE  
DOOR SKIRTING: NONE  
PLASTERBOARD EDGE: FLAT END TRIM  
NBS SPECIFICATION: L20-414 L20-415



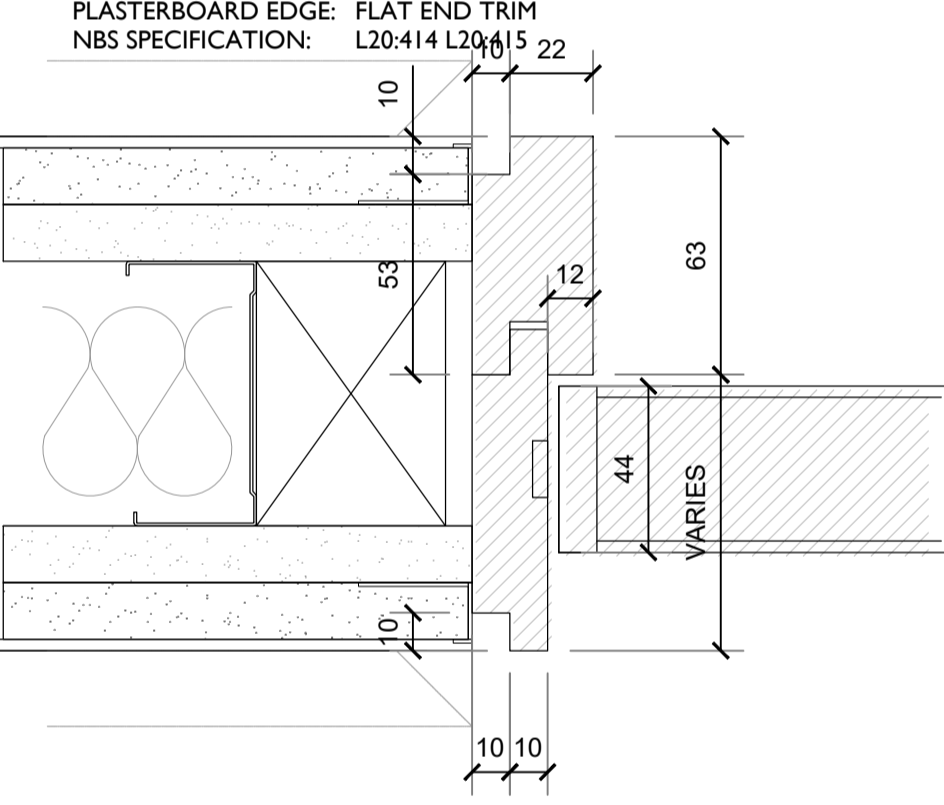
E JAMB DETAIL E  
1:2

JAMB: TIMBER  
DOOR: STANDARD  
HINGE: BUTT  
WALL SKIRTING: RETURN MITRE  
DOOR SKIRTING: NONE  
PLASTERBOARD EDGE: FLAT END TRIM  
NBS SPECIFICATION: L20-414 L20-415



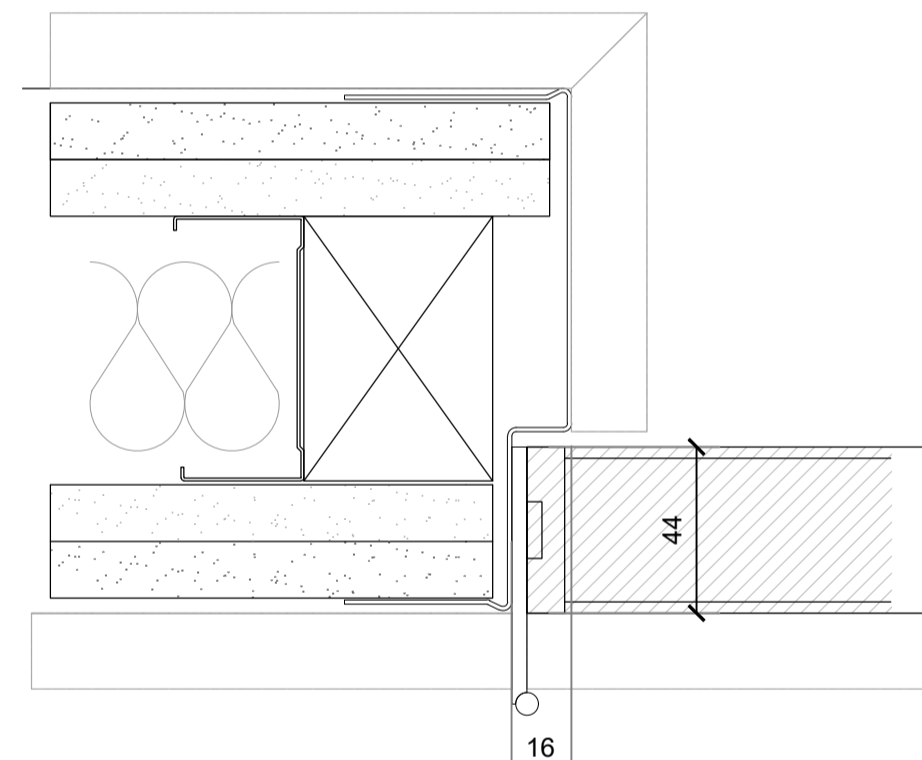
F JAMB DETAIL F  
1:2

JAMB: TIMBER  
DOOR: STANDARD  
HINGE: BUTT  
WALL SKIRTING: RETURN MITRE  
DOOR SKIRTING: NONE  
PLASTERBOARD EDGE: FLAT END TRIM  
NBS SPECIFICATION: L20-414 L20-415



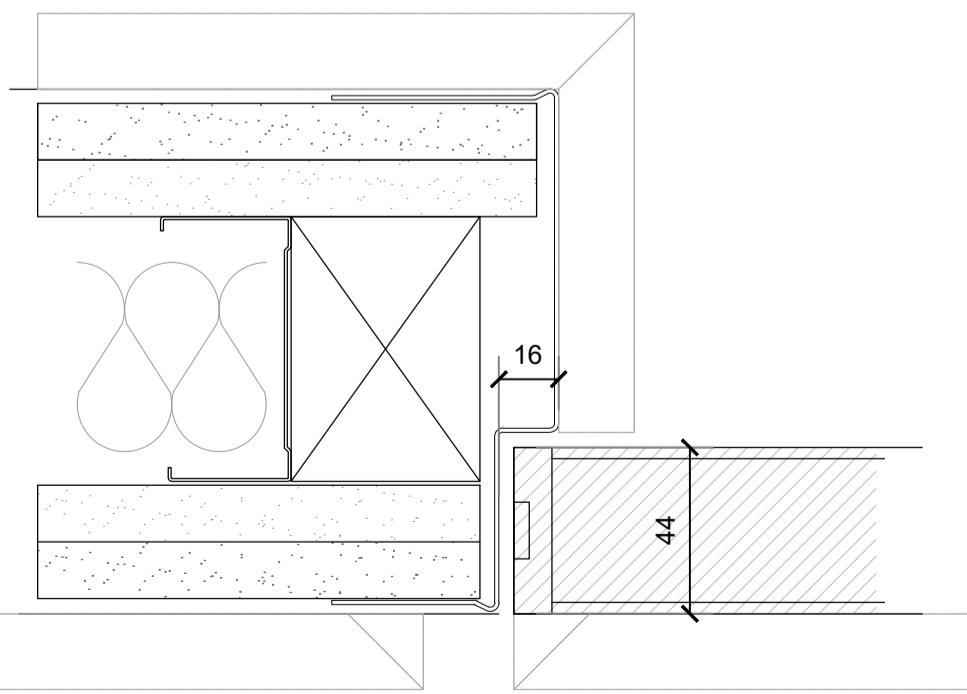
G JAMB DETAIL G  
1:2

JAMB: EZYJAMB  
HINGE: PARLIAMENT  
WALL SKIRTING: STRAIGHT CUT  
DOOR SKIRTING: STRAIGHT CUT  
PLASTERBOARD EDGE: EZYJAMB  
NBS SPECIFICATION: L20-417



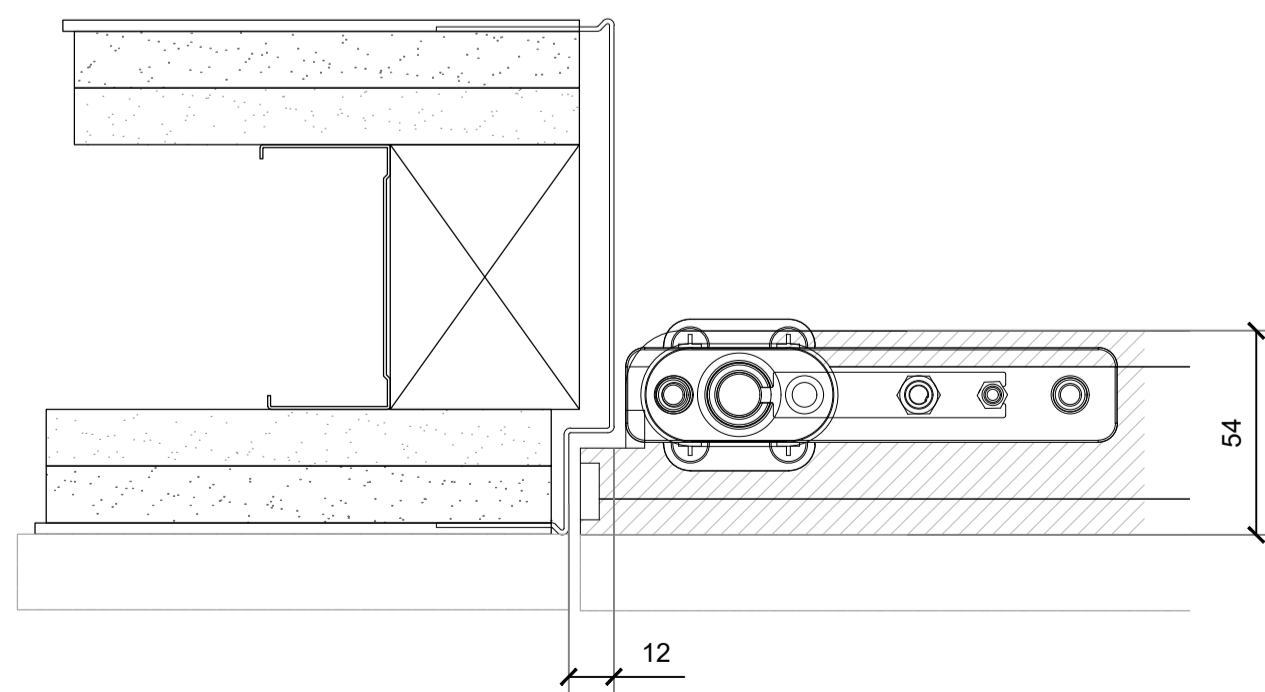
J JAMB DETAIL J  
1:2

JAMB: EZYJAMB  
HINGE: BUTT  
WALL SKIRTING: RETURN MITRE  
DOOR SKIRTING: RETURN MITRE  
PLASTERBOARD EDGE: EZYJAMB  
NBS SPECIFICATION: L20-417



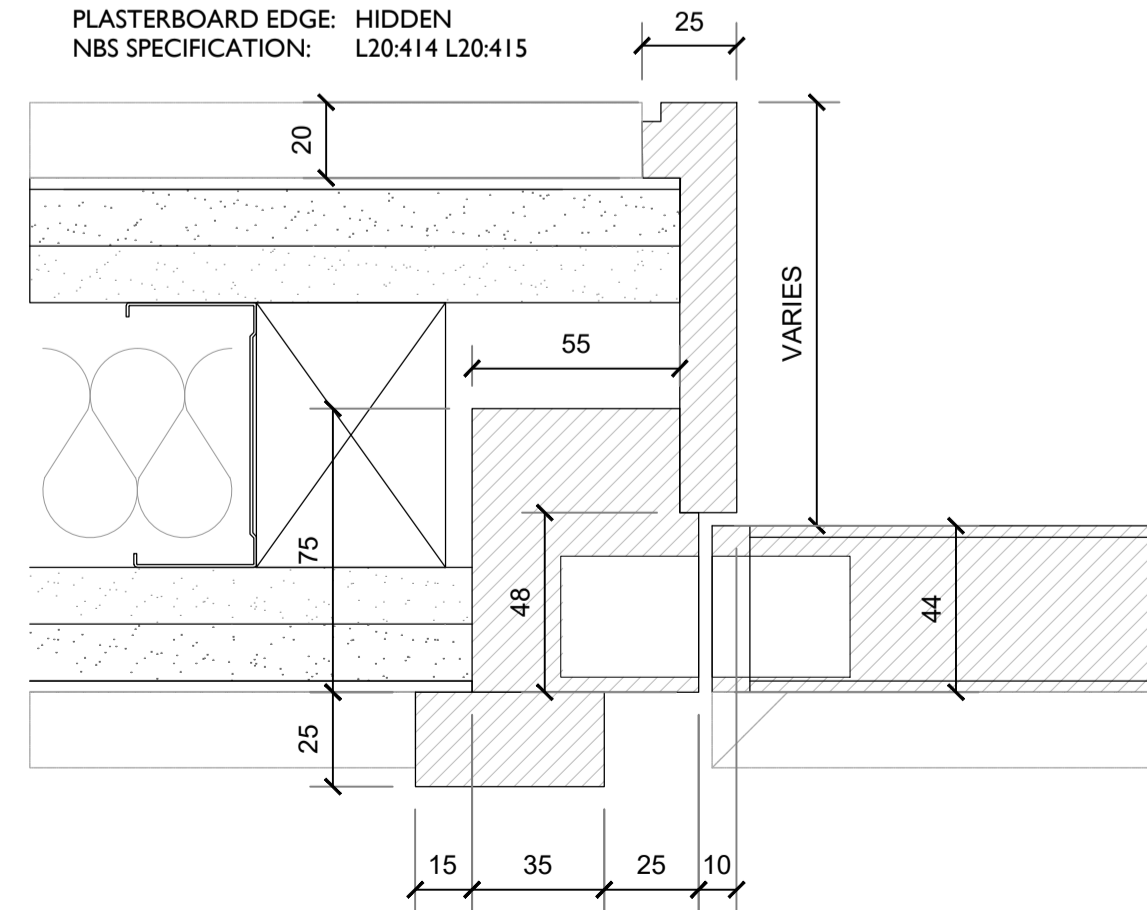
K JAMB DETAIL K  
1:2

JAMB: SELO  
HINGE: PIVOT  
WALL SKIRTING: STRAIGHT CUT  
DOOR SKIRTING: STRAIGHT CUT  
PLASTERBOARD EDGE: SELO  
NBS SPECIFICATION: L20-418



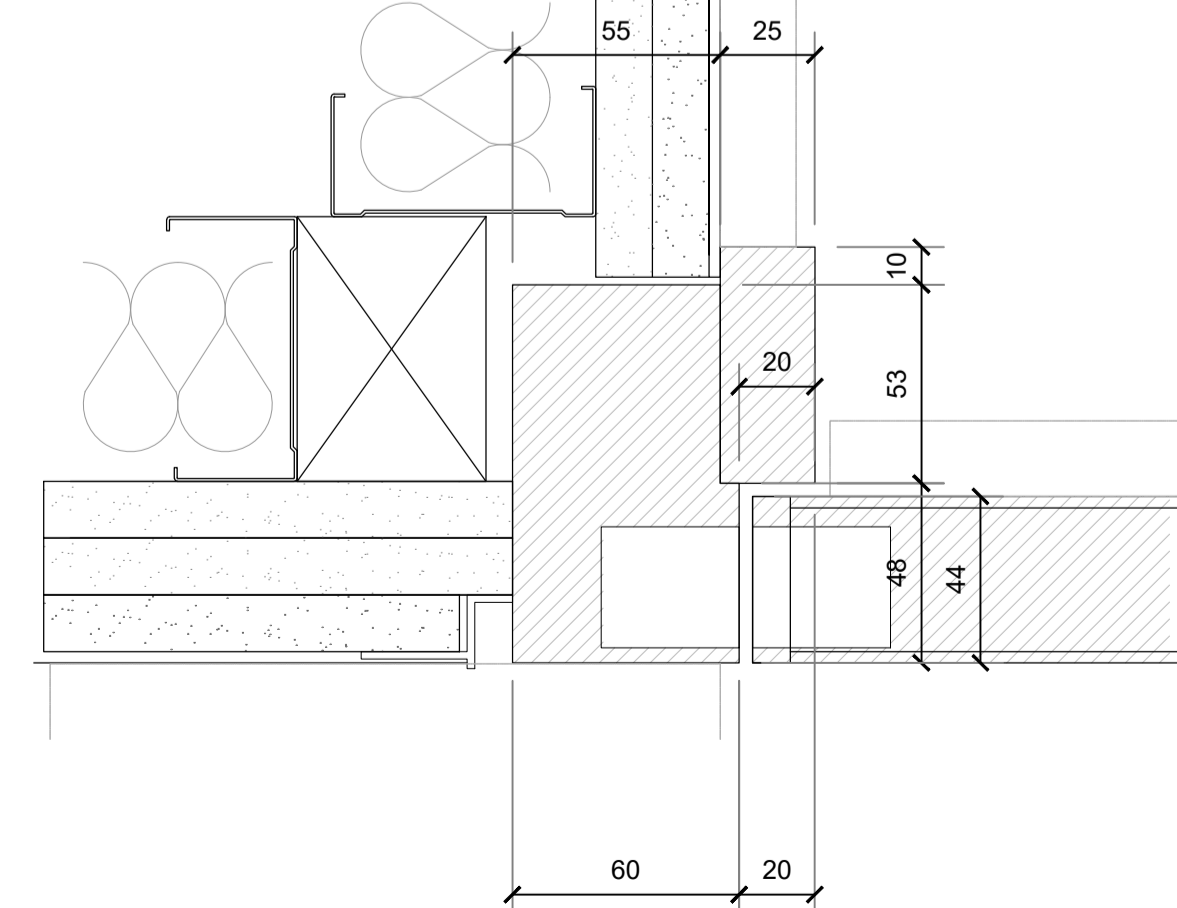
L JAMB DETAIL L  
1:2

JAMB: TIMBER  
DOOR: STANDARD  
HINGE: CONCEALED  
WALL SKIRTING: DIES INTO DOOR FRAME  
DOOR SKIRTING: RETURN MITRE  
PLASTERBOARD EDGE: HIDDEN  
NBS SPECIFICATION: L20-414 L20-415



M JAMB DETAIL M  
1:2

JAMB: TIMBER  
DOOR: STANDARD  
HINGE: CONCEALED  
WALL SKIRTING: NA  
DOOR SKIRTING: NA  
PLASTERBOARD EDGE: SHADOW GAP  
OTHER: ADDITIONAL LAYER OF PB REQUIRED  
NBS SPECIFICATION: L20-414 L20-415



N JAMB DETAIL N  
1:2

Notes:

Drawings are based on survey data and may not accurately represent what is physically present.

Do not scale from this drawing. All dimensions are to be verified on site before proceeding with the work.

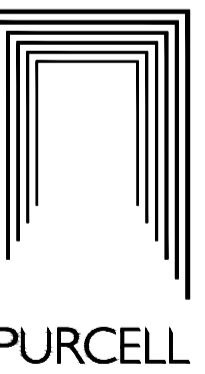
All dimensions are in millimetres unless noted otherwise.

Purcell shall be notified in writing of any discrepancies.

Key Plan  
not to scale

REV	DATE	BY	CHK	DESCRIPTION
C01	14.06.2024	ML	NS	First Issue

CLIENT  
**Il Bottaccio**  
PROJECT  
**Camden Town Hall Tenant Fitout**



JOB NUMBER  
**242931**

TITLE  
**DOOR DETAILS PART 1**

SIZE SCALE  
A1L 1:2

REV SUITABILITY/REASON FOR ISSUE  
**C01 A4 - TECHNICAL DESIGN APPROVAL**

DRAWING NUMBER  
**242931-PUR-01-XX-DR-A-6700**

PURCELL® IS THE REGISTERED TRADE NAME FOR PURCELL ARCHITECTURE LTD AND ALL SUBSIDIARY COMPANIES AND IS REGISTERED IN THE UNITED KINGDOM, EUROPEAN UNION, HONG KONG, CHINA AND AUSTRALIA. © PURCELL 2024. www.purcell.com