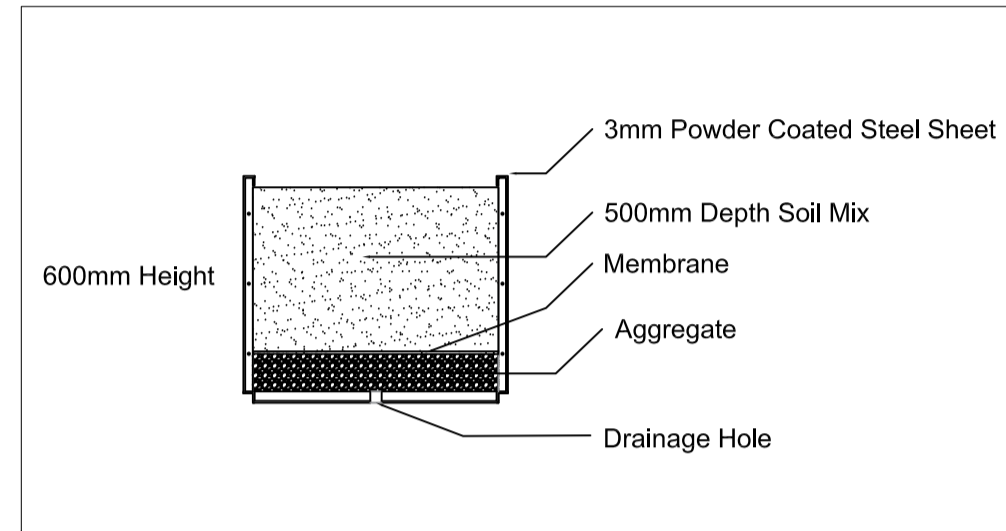


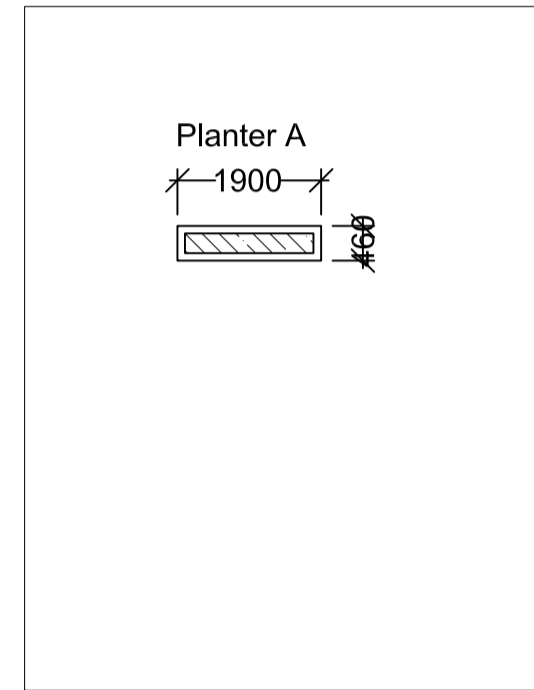
PLANTER SCHEDULE

| Planter Ref. | Material | Colour [RAL] | Size (mm) | Notes | Quantity |
|--------------|-----------------------------|--------------|----------------------------------------------|---------------------------------|----------|
| A | Powder Coated Steel Planter | 7024 | 1900 (L) x 500 (W) x 600 (H) | Lower GF | 8 |
| C | Powder Coated Steel Planter | 7024 | 1875 (L) x 835 (W) x 600 (H) | Upper GF | 2 |
| D | Powder Coated Steel Planter | 7024 | 10400 (L) x 800 (W) x 600 (H) | Upper GF | 1 |
| E | Powder Coated Steel Planter | 7024 | See Drawing | Upper GF / Shape as per drawing | 1 |
| F | Powder Coated Steel Planter | 7024 | Total Length - 20662 | Level 2 / 4 Angles | 1 |
| G | Powder Coated Steel Planter | 7024 | Total Length - 9709.3 | Level 4 / 2 Angles | 1 |
| H | Powder Coated Steel Planter | 7024 | Total Length - 6666.3 | Level 4 / 2 Angles | 1 |
| I | Powder Coated Steel Planter | 7024 | 10690 (L) x 820 (W) x 600 (H) | Level 5 | 1 |
| J | Powder Coated Steel Planter | 7024 | 4640 (L) x 710 (W) x 600 (H) | Level 5 | 2 |
| K | Powder Coated Steel Planter | 7024 | 4690 (L) x 675 (W) x 600 (H) | Level 5 | 1 |
| L | Powder Coated Steel Planter | 7024 | 3750 (L) x 3665 x 500 (W) x 515.21 x 600 (H) | Level 5 | 1 |
| M | Powder Coated Steel Planter | 7024 | 4110 (L) x 4020 x 500 (W) x 516.6 x 600 (H) | Level 5 | 1 |
| N | Powder Coated Steel Planter | 7024 | 3100 (L) x 3300 x 500 (W) x 519.7 x 600 (H) | Level 5 | 1 |
| O | Powder Coated Steel Planter | 7024 | Total Length - 29614 mm x 600 (H) | Level 6 / 4 Angles | 1 |
| P | Powder Coated Steel Planter | 7024 | 1500 (L) x 700 (W) x 600(H) | Level 6 | 1 |
| Q | Powder Coated Steel Planter | 7024 | Total Length - 12 755mm x 600 (H) | Level 6 | 1 |

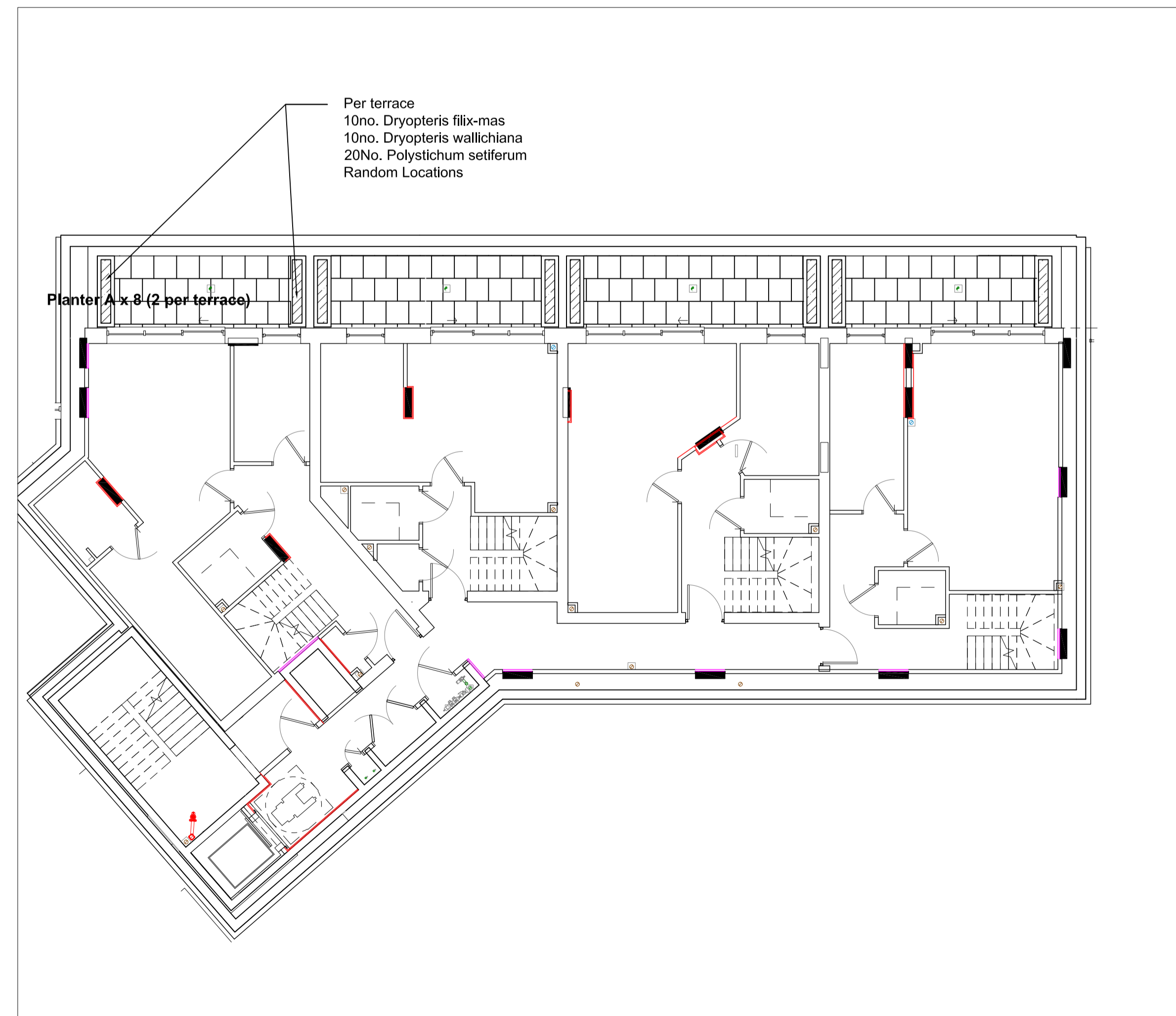
DETAILED PLANTER SECTION 1.20@A1



PLANTER DETAILS



DETAILED AREA 1.100@A1



GENERAL LANDSCAPING SPECIFICATION NOTES:-

Any existing trees to be retained and protected throughout construction period in accordance with BS 5837 2012 - Trees in Relation to Design, Demolition and Construction.

SPECIFICATION:-

MATERIALS AND WORKMANSHIP

- Materials and workmanship shall generally be in accordance with the following documents - BS3936 Nursery Stock and BS4428. Recommendations for General Landscape Operations.
- Plant material to be the sizes and dimensions as stated in the schedule and shall be healthy with good fibrous root systems.

TREES

- All trees to be back filled with top soil and suitable organic material (to be specified).
- All trees should be staked or double staked using pointed softwood / peeled chestnut / larch or oak stakes, free from projections and large or edge knots and tied above ground.

SHRUBS/TREES - GENERAL

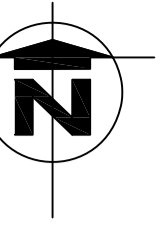
- Condition: Materially undamaged, sturdy, healthy and vigorous.
- Appearance: Of good shape and without elongated shoots.
- Hardiness: Grown in a suitable environment and hardened off.
- Health: Free from pests, diseases, discolouration, weeds and physiological disorders.
- Budded or grafted plants: Bottom worked.
- Root System and Condition: Balanced with branch system.
- Standard: The relevant parts of BS 3936.
- Species: True to Name.
- Origin/Provenance: British provenance as per the National Plant Specification.
- Names, Forms, Dimensions, Provenance and other Criteria: To BS 3936-1 Trees and Shrubs.
- All shrubs and trees to receive a 50mm layer of bark mulch.

WATERING

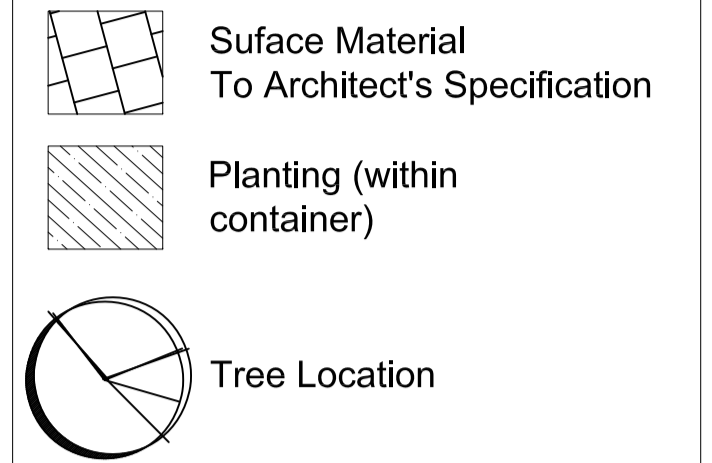
- All trees/shrubs will be watered after planting and to be watered as necessary to ensure survival.
- Any trees, shrubs, seeding works which fail within the first 5 years to be replaced inline with the species, seeding mixes and sizes as detailed on this plan.

© This drawing and the building works depicted are the copyright of RBMP Ltd and may not be reproduced except with written consent. Figured dimensions only are to be taken from this drawing. All contractors must visit the site and be responsible for taking and checking all dimensions relative to their work. Influence are to be advised of any variation between drawings and site conditions.

Do not scale off drawings. All dimensions to be checked on site.



KEY



NOTES

- 500mm depth imported topsoil mix, using class 5B/2 multi-purpose loam/sandy loam topsoil. Ameliorants, water polymer gel and slow release fertiliser mixed in.
- Irrigation instructions to be provided with occupiers management pack.

PLANTING SCHEDULE

| Name | Common Name | Size | Notes | Condition | Quantity |
|-------------------------------------------|---------------------------------|------------------|--------------------------|-----------|---------------|
| Trees | | | | | |
| Liquidambar styraciflua 'Worplesdon' | Sweet Gum 'Worplesdon' | 15cm girth/300cm | clear stem minimum 200cm | RB, Bushy | 1 |
| Prunus Lusitanica | Portugese Laurel | 6/8cm girth | 120cm stem | | 4 |
| Prunus serrula 'Tibetica' | Tibetan Cherry [MS] | 100cm high | 3 stems minimum | RB, Bushy | 4 |
| Shrubs | | | | | |
| Grasses | | | | | |
| Carex testacea | New Zealand sedge | 5L | | | 275 |
| Cortaderia selloana 'Aureolineata' | Pampas grass | 5L | | | 275 |
| Deschampsia cespitosa 'Bronzeschleier' | Tufted hair grass 'Bronze veil' | 5L | | | 520 |
| Stipa tenuifolia | Mexican feathergrass | 5L | | | 1130 |
| Ferns | | | | | |
| Asarum europaeum | European wild ginger | 9cm | | | 2765 |
| Asplenium scolopendrium | Hart's-tongue Fern | 2L | | | 200 |
| Dicksonia antarctica | Tree fern | 1m | | | 8 |
| Dryopteris filix-mas | Male fern | 5L | | | 250 |
| Dryopteris wallichiana | Wood fern | 3L | | | 250 |
| Polystichum setiferum | Soft shield fern | 2-3L | | | 450 |
| Ornamentals | | | | | |
| Carex morrowii 'Ice Dance' | Japanese sedge 'Ice Dance' | 3L | | | 595 |
| Erythronium californicum 'White Beauty' | Fawn lily | 1L | | | 350 |
| Geranium macrorrhizum 'Spessart' | Cranesbill | 9cm | | | 850 |
| Hedera helix 'Hibernica' | Atlantic ivy | 9cm | | | 55 |
| Helleborus x hybridus | Lenten rose | 9cm | | | 200 |
| Liriope muscari | Lilyturf | 3L | | | 485 |
| Luzula sylvatica | Greater wood-rush | 9cm | | | 485 |
| Milium effusum 'Aureum' | Bowles' golden grass | 3L | | | 1075 |
| Miscanthus sinensis 'Kleine Silberspinne' | Little Silver Spider | 3L | | | 35 |
| Viburnum tinus | Laurustinus | 3L | | | 90 |
| Vinca minor alba | lesser periwinkle | 9cm | | | 1065 |
| Green/Biodiverse Roof | | | | | |
| The Bauda Flora 3 Seed Mix | | (see drawing) | | | (see drawing) |

STATUS

rbmp

www.rbmp.co.uk
studio@rbmp.co.uk / 0161 706 0158

PROJECT
Haverstock Hill
Camden

CLIENT
OD Camden Hotel Ltd

TITLE
Landscape Plan
Lower Ground Floor Plan

SCALE 1:100 DATE 30.03.23
DRAWN AM CHECKED RB

HHCAM-RBMP-00-LGF-DR-L-01

| | | | |
|---------|---------|---------|---------------|
| JOB NO: | DWG NO: | REV NO: | ORIGINAL SIZE |
| 2227 | 000 | C | A1 |

