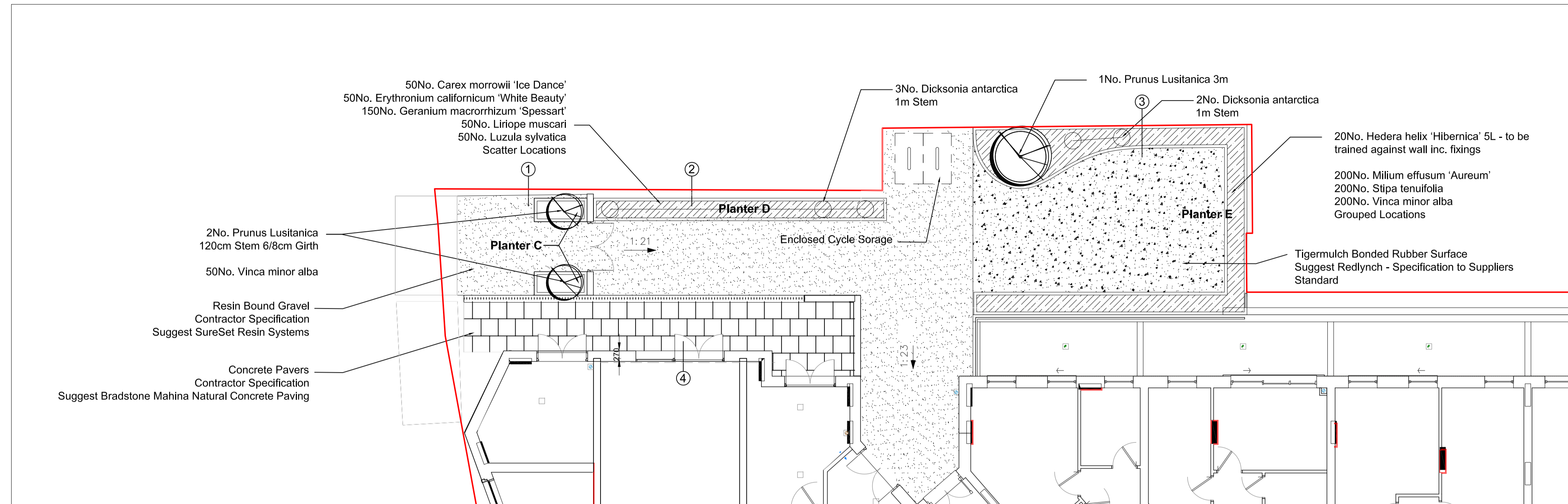
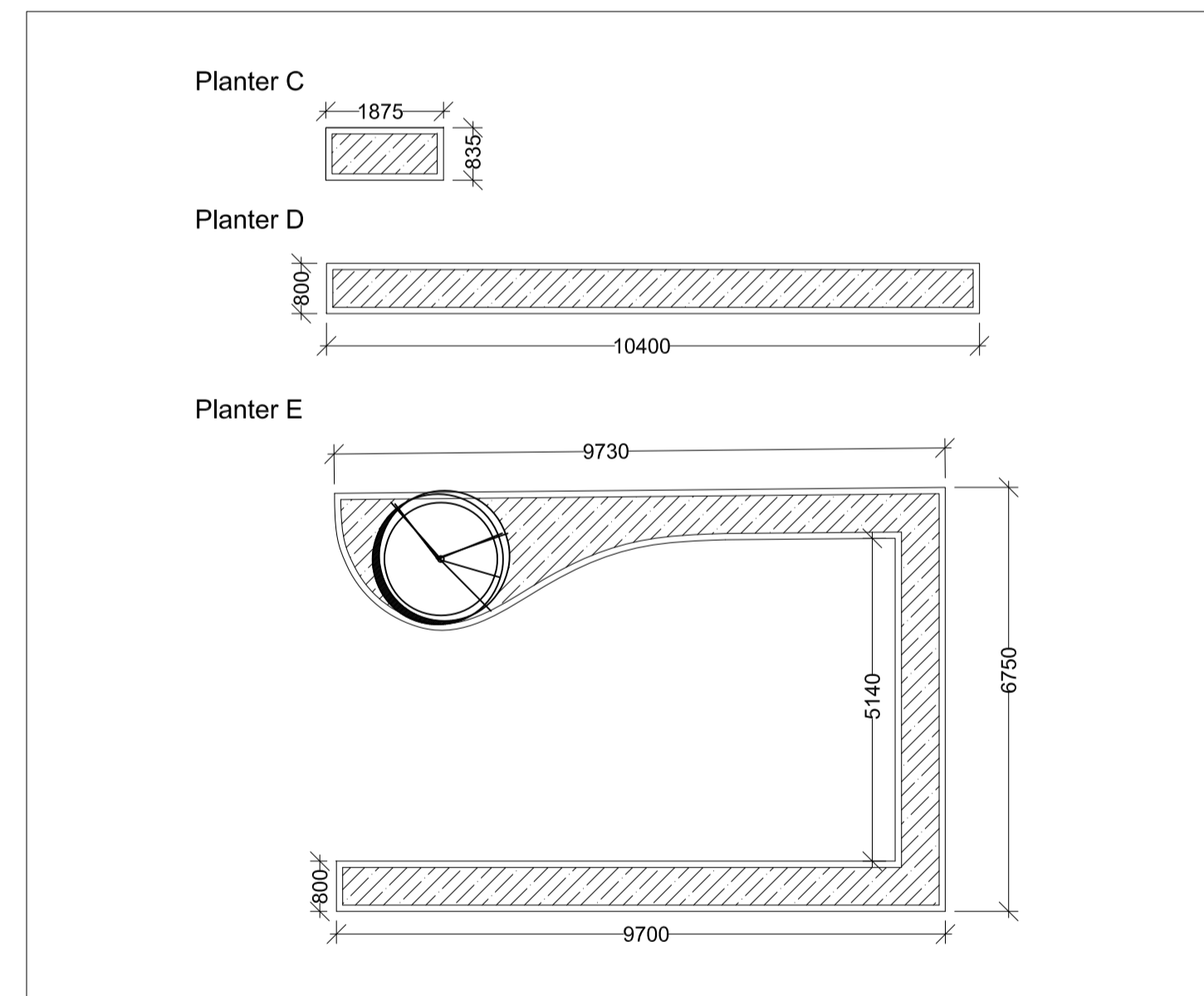


DETAILED AREA 1.100@A1



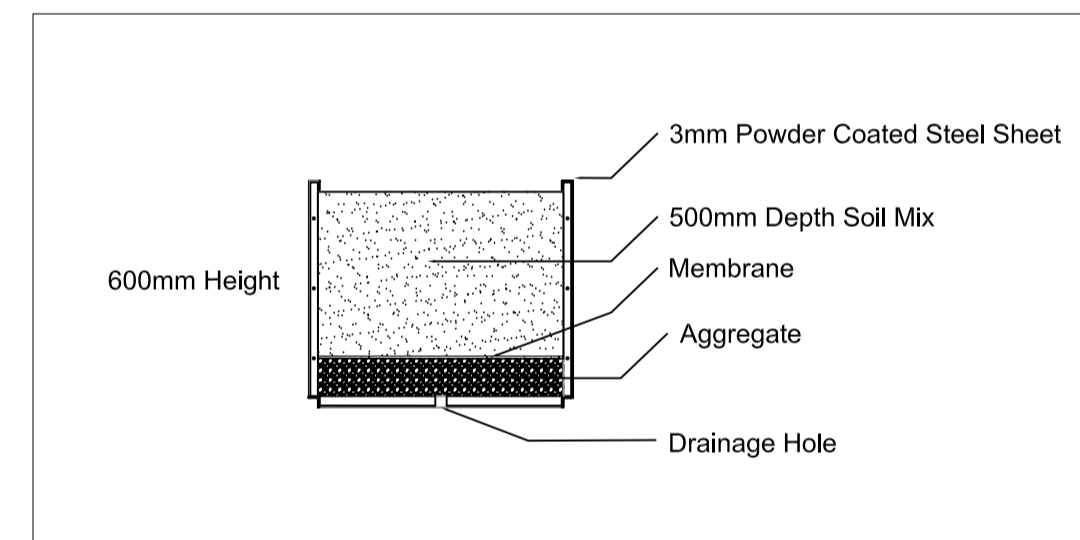
PLANTER DETAILS



PLANTER SCHEDULE

| Planter Ref. | Material | Colour [RAL] | Size (mm) | Notes | Quantity |
|--------------|-----------------------------|--------------|--|---------------------------------|----------|
| A | Powder Coated Steel Planter | 7024 | 1900 (L) x 500 (W) x 600 (H) | Lower GF | 8 |
| C | Powder Coated Steel Planter | 7024 | 1875 (L) x 835 (W) x 600 (H) | Upper GF | 2 |
| D | Powder Coated Steel Planter | 7024 | 10400 (L) x 800 (W) x 600 (H) | Upper GF | 1 |
| E | Powder Coated Steel Planter | 7024 | See Drawing | Upper GF / Shape as per drawing | 1 |
| F | Powder Coated Steel Planter | 7024 | Total Length - 20662 | Level 2 / 4 Angles | 1 |
| G | Powder Coated Steel Planter | 7024 | Total Length - 9709.3 | Level 4 / 2 Angles | 1 |
| H | Powder Coated Steel Planter | 7024 | Total Length - 6666.3 | Level 4 / 2 Angles | 1 |
| I | Powder Coated Steel Planter | 7024 | 10690 (L) x 820 (W) x 600 (H) | Level 5 | 1 |
| J | Powder Coated Steel Planter | 7024 | 4640 (L) x 710 (W) x 600 (H) | Level 5 | 2 |
| K | Powder Coated Steel Planter | 7024 | 4690 (L) x 675 (W) x 600 (H) | Level 5 | 1 |
| L | Powder Coated Steel Planter | 7024 | 3750 (L) x 3665 x 500 (W) x 515.21 x 600 (H) | Level 5 | 1 |
| M | Powder Coated Steel Planter | 7024 | 4110 (L) x 4020 x 500 (W) x 516.6 x 600 (H) | Level 5 | 1 |
| N | Powder Coated Steel Planter | 7024 | 3100 (L) x 3300 x 500 (W) x 519.7 x 600 (H) | Level 5 | 1 |
| O | Powder Coated Steel Planter | 7024 | Total Length - 29614 mm x 600 (H) | Level 6 / 4 Angles | 1 |
| P | Powder Coated Steel Planter | 7024 | 1500 (L) x 700 (W) x 600(H) | Level 6 | 1 |
| Q | Powder Coated Steel Planter | 7024 | Total Length - 12 755mm x 600 (H) | Level 6 | 1 |

DETAILED PLANTER SECTION 1.20@A1



Maintenance of Self Binding Gravel (Also refer to manufacturer guidance)

- To ensure the effective appearance and maintenance of the surface manufacturers recommend the following.
- Weed growth should be sprayed with a water-based weed killer. Never pull the weeds up out of the surface, this will loosen the bonded surface.
- Shaded areas or those subject to lighter use may be susceptible to moss, for these areas use a water-based weed killer or moss remover and apply this to the affected area when dry (and no rain expected for a few days) using either a watering can with a rose, a sprayer, a roller or a soft brush. This should take a few days to start working, then use a light rake to loosen the moss and sweep away, however take care not to put too much pressure on the surface and loosen up the surface itself.
- Ensure that leaves are removed from the surface by using a blower or a vacuum. Alternatively, a very soft broom can be used to gently sweep off the surface leaves. Never use a coarse hard brush.
- Monitor natural scarification of the surface in terms of appearance and use and gently sweep loose chippings if appropriate.
- Repairs should be carried out as soon as a pot hole appears. Cut out a neat square around the pot hole and remove all material in that square down to the Type 1 sub-base. Fill the area with new material and compact using a whacker plate or roller in accordance with the Manufacturer's laying instructions, then water roll the area to blend in with the original surface.

PLANTING SCHEDULE

| Name | Common Name | Size | Notes | Condition | Quantity |
|---|---------------------------------|------------------|--------------------------|-----------|---------------|
| Trees | | | | | |
| Liquidambar styraciflua 'Worplesdon' | Sweet Gum 'Worplesdon' | 15cm girth/300cm | clear stem minimum 200cm | RB, Bushy | 1 |
| Prunus Lusitanica | Portugese Laurel | 6/8cm girth | 120cm stem | | 4 |
| Prunus serrula 'Tibetica' | Tibetan Cherry [MS] | 100cm high | 3 stems minimum | RB, Bushy | 4 |
| Shrubs | | | | | |
| Grasses | | | | | |
| Carex testacea | New Zealand sedge | 5L | | | 275 |
| Cortaderia selloana 'Aureolineata' | Pampas grass | 5L | | | 275 |
| Deschampsia cespitosa 'Bronzeschleier' | Tufted hair grass 'Bronze veil' | 5L | | | 520 |
| Stipa tenuifolia | Mexican feathergrass | 5L | | | 1130 |
| Ferns | | | | | |
| Asarum europaeum | European wild ginger | 9cm | | | 2765 |
| Asplenium scolopendrium | Hart's-tongue Fern | 2L | | | 200 |
| Dicksonia antarctica | Tree fern | 1m | | | 8 |
| Dryopteris felix-mas | Male fern | 5L | | | 250 |
| Dryopteris wallichiana | Wood fern | 3L | | | 250 |
| Polystichum setiferum | Soft shield fern | 2-3L | | | 450 |
| Ornamentals | | | | | |
| Carex morrowii 'Ice Dance' | Japanese sedge 'Ice Dance' | 3L | | | 595 |
| Erythronium californicum 'White Beauty' | Fawn lily | 1L | | | 350 |
| Geranium macrorrhizum 'Spessart' | Cranesbill | 9cm | | | 850 |
| Hedera helix 'Hibernica' | Atlantic ivy | 9cm | | | 55 |
| Helleborus x hybridus | Lenten rose | 9cm | | | 200 |
| Liriope muscari | Lilyturf | 3L | | | 485 |
| Luzula sylvatica | Greater wood-rush | 9cm | | | 485 |
| Miliium effusum 'Aureum' | Bowles' golden grass | 3L | | | 1075 |
| Miscanthus sinensis 'Kleine Silberspinne' | Little Silver Spider | 3L | | | 35 |
| Viburnum tinus | Laurustinus | 3L | | | 90 |
| Vinca minor alba | lesser periwinkle | 9cm | | | 1065 |
| Green/Biodiverse Roof | | | | | |
| The Bauda Flora 3 Seed Mix | | (see drawing) | | | (see drawing) |

GENERAL LANDSCAPING SPECIFICATION NOTES:-

Any existing trees to be retained and protected throughout construction period in accordance with BS 5837 2012 - Trees in Relation to Design, Demolition and Construction.

SPECIFICATION:-

MATERIALS AND WORKMANSHIP

- Materials and workmanship shall generally be in accordance with the following documents - BS3936 Nursery Stock and BS4428. Recommendations for General Landscape Operations.
- Plant material to be the sizes and dimensions as stated in the schedule and shall be healthy with good fibrous root systems.

TREES

- All trees to be back filled with top soil and suitable organic material (to be specified).
- All trees should be staked or double staked using pointed softwood / peeled chestnut / larch or oak stakes, free from projections and large or edge knots and tied above ground.

SHRUBS/TREES - GENERAL

- Condition: Materially undamaged, sturdy, healthy and vigorous.
- Appearance: Of good shape and without elongated shoots.
- Hardiness: Grown in a suitable environment and hardened off.
- Health: Free from pests, diseases, discolouration, weeds and physiological disorders.
- Budded or grafted plants: Bottom worked.
- Root System and Condition: Balanced with branch system.
- Standard: The relevant parts of BS 3936.
- Species: True to Name.
- Origin/Provenance: British provenance as per the National Plant Specification.
- Names, Forms, Dimensions, Provenance and other Criteria: To BS 3936-1 Trees and Shrubs.
- All shrubs and trees to receive a 50mm layer of bark mulch.

WATERING

- All trees/shrubs will be watered after planting and to be watered as necessary to ensure survival.
- Any trees, shrubs, seeding works which fall within the first 5 years to be replaced inline with the species, seeding mixes and sizes as detailed on this plan.

BIRDS

- 4No. 1B Schwegler Nest Boxes (32mm, small holed)
- 4No. 2H Schwegler Robin Boxes (open fronted)
- One of each box will be placed on individual trees or within suitable scrub, pole mounted boxes maybe used until the trees and scrub on site mature, these boxes can then be relocated.
- Boxes to be placed predominantly on the western section of the development or around the perimeter where they are less likely to be disturbed.
- Boxes should be positioned outside of the bird nesting period between March and October and placed at varying heights and aspects to minimise potential tampering or vandalism.
- Boxes should be monitored on an annual basis to assess for any damage, maintenance issues. Any maintenance required should be carried out promptly outside of the bird nesting period.

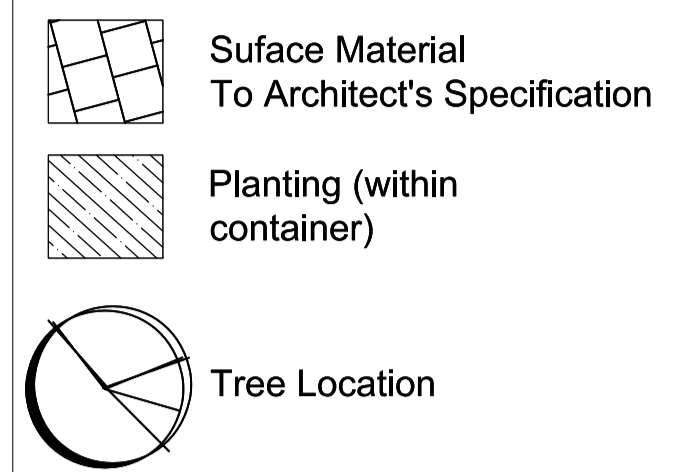
BATS

- 3No. Schwegler 2F Boxes
- 3No. Schwegler 2FD Boxes
- 3No. Schwegler 2FN Boxes
- One of each type will be placed on three features ideally on the larger more mature trees. To be placed between 3 and 5m up away from the main site lighting and nearer linear routes and vegetation. The boxes should be installed between September and October (unlikely hibernating period) when bats are still active to minimise disturbance.
- If the trees on site are unsuitable for the boxes pole mounted boxes may be required or boxes attached to suitable structures adjoining potential habitat. The boxes can then be moved under good practice once trees are established and of adequate size.

© This drawing and the building works depicted are the copyright of RBMP Ltd and may not be reproduced except with written consent. Figured dimensions only are to be taken from this drawing. All contractors must visit the site and be responsible for taking and checking all dimensions relative to their work. Influence are to be advised of any variation between drawings and site conditions.

Do not scale off drawings. All dimensions to be checked on site.

KEY



NOTES

- 500mm depth imported topsoil mix, using class 5B/2 multi-purpose loam/sandy loam topsoil. Ameliorants, water polymer gel and slow release fertiliser mixed in.
- To all public planted landscape areas - implement drip-fed subsurface irrigation incorporating soil moisture sensors.

STATUS

rbmp

www.rbmp.co.uk
studio@rbmp.co.uk / 0161 706 0158

PROJECT
**Haverstock Hill
Camden**

CLIENT
OD Camden Hotel Ltd

TITLE
**Landscape Plan
Ground Floor Plan**

SCALE 1:100 DATE 30.03.23
DRAWN AM CHECKED RB

HHCAM-RBMP-00-GF-DR-L-01

JOB NO: 2227 DWG NO: 000 REV NO: E ORIGINAL SIZE A1



1 : 100