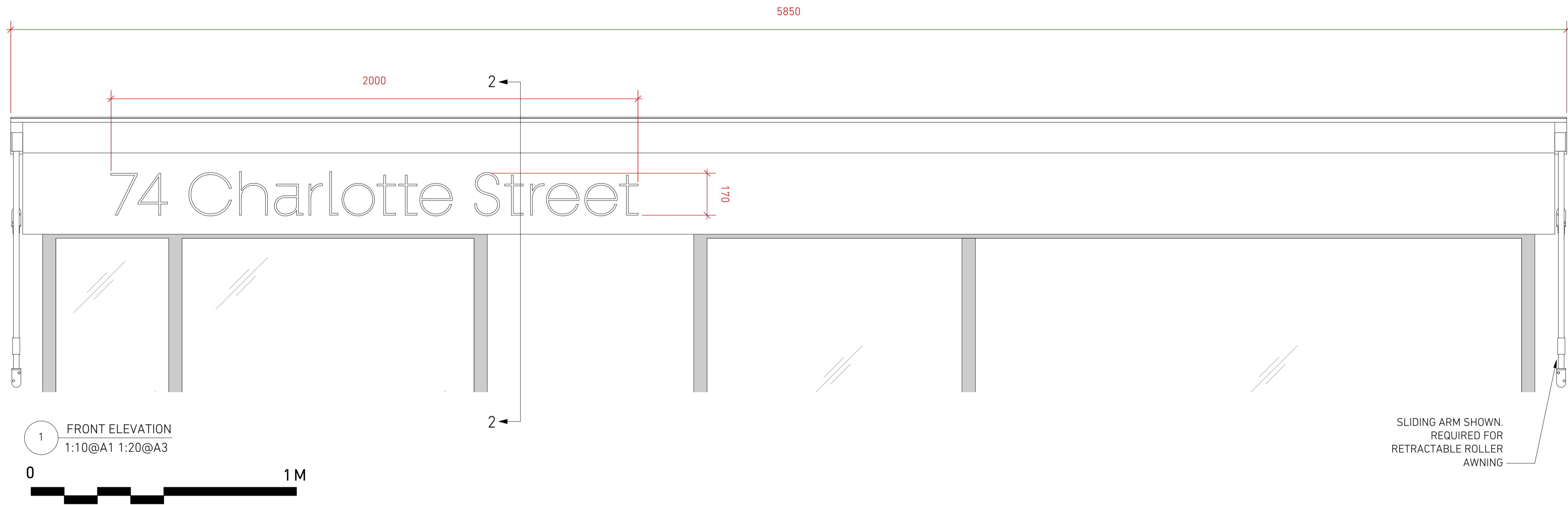


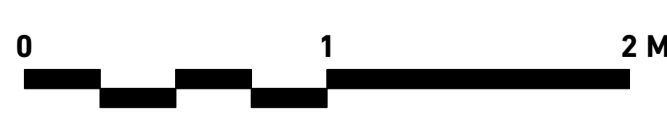
General Notes



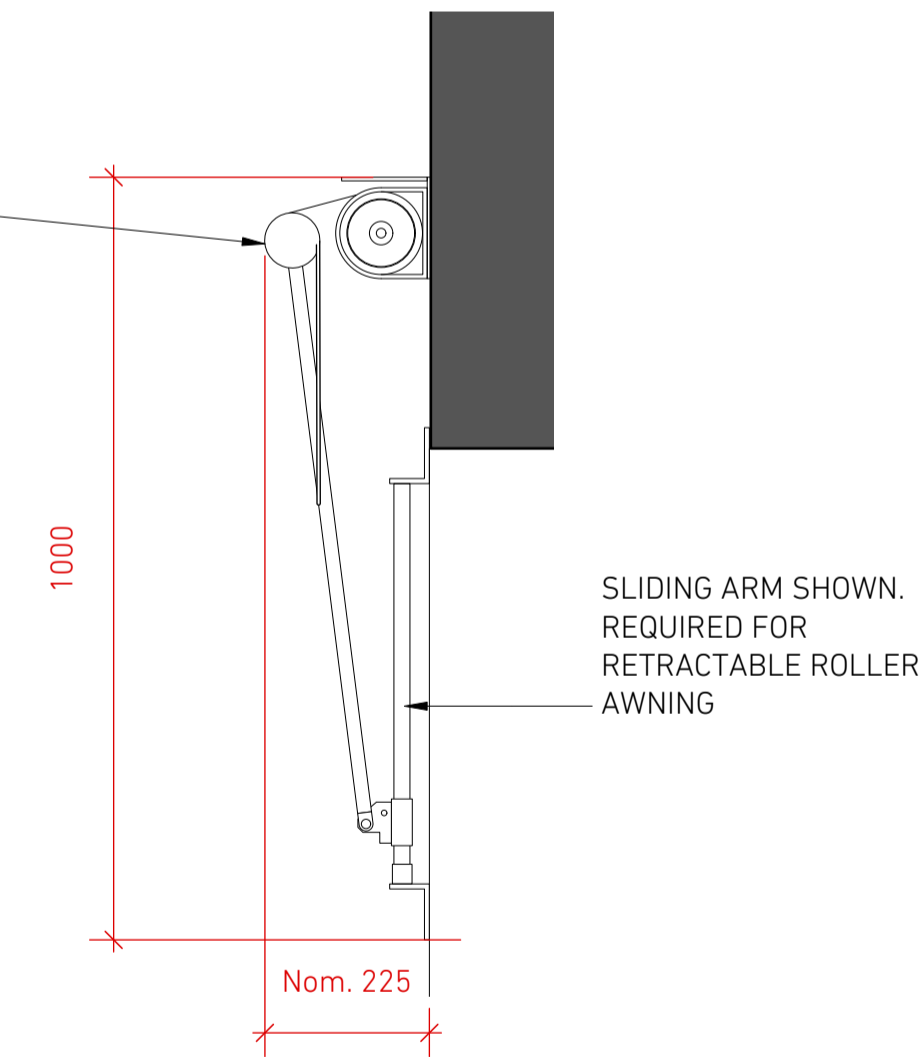
1 FRONT ELEVATION  
1:10@A1 1:20@A3



3 FRONT ELEVATION  
1:25@A1 1:50@A3



AWNING SHOWN IN RETRACTED POSITION

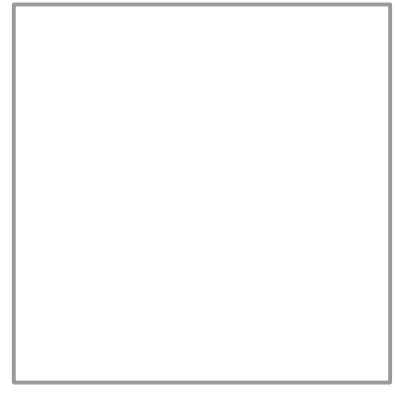


2 SECTION  
1:10@A1 1:20@A3



AWNING SHOWN IN RETRACTED POSITION

REVISION	DATE	NOTES



FOR	WSH RESTAURANTS	
PROJECT	74 CHARLOTTE STREET	PROJECT NO. 2403
STATUS	FOR INFORMATION	
SCALE	VARIES	DATE 14/01/2025
TITLE	PROPOSED AWNING (RETRACTED)	
DRAWING NO.	(PL)06	REVISION -