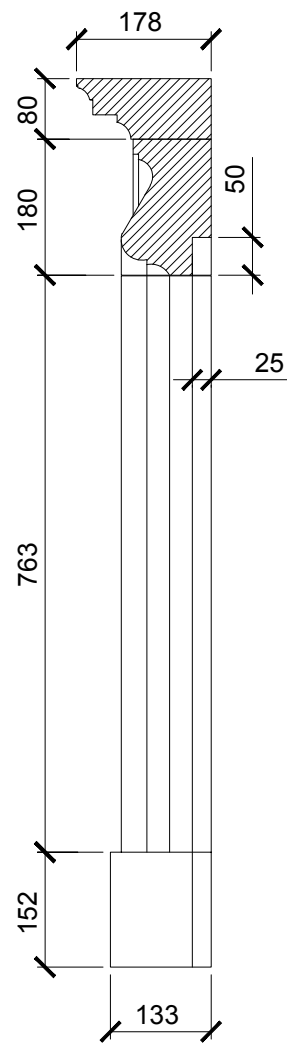
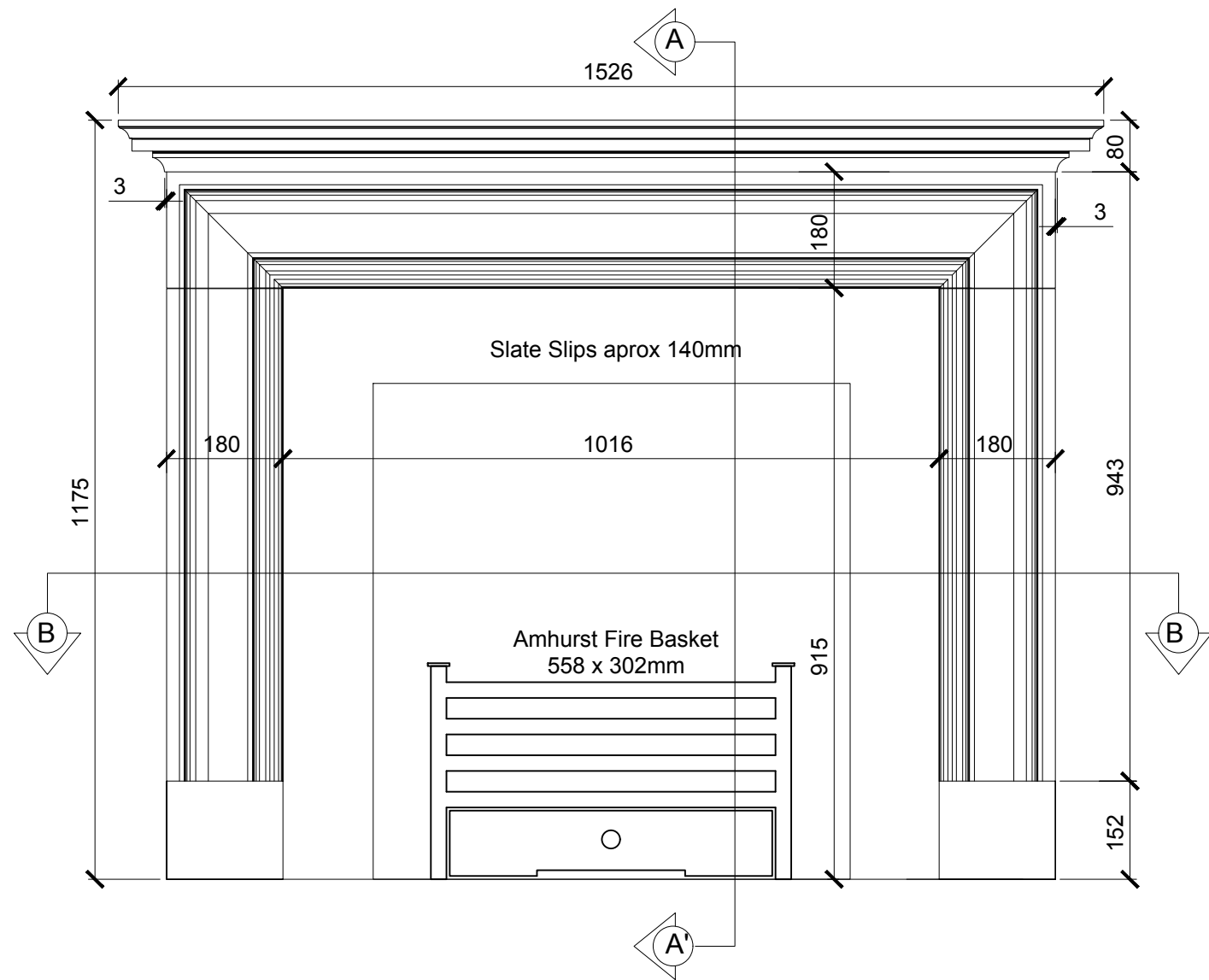


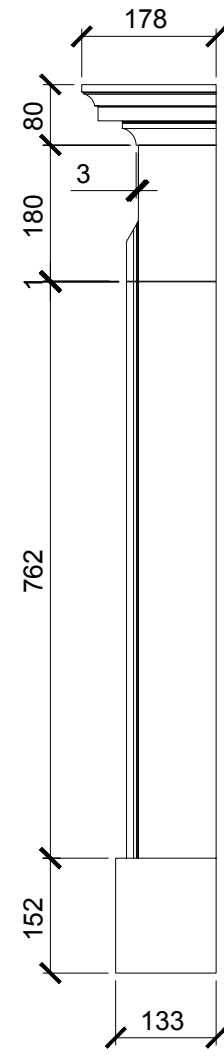
PLAN VIEW 1:10



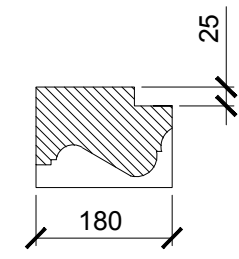
SECTION A - A' 1:10



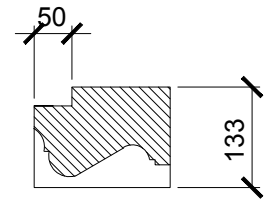
FRONT ELEVATION 1:10



RIGHT ELEVATION 1:10



SECTION B - B' 1:10



Mark McMahon Victoria Stone Fireplaces • Fires • Flue Systems T 0800 6340510 www.victoriastone.co.uk	
FOR	
SITE	
TITLE	Bedford with Shelf Standard Plan View, Elevations, Sections & Details
WEIGHT	
Jamb / each:	42.05 kg
Header:	59.88 kg
Shelf:	40.62 kg
Total Mantel:	143.98 kg
DRAWN BY	SCALE
LV	1:12, 1:10, 1:5 @ A3
CHECKED BY	DRAWING NUMBER
MS	900140
DATE	REV
03/01/2025	

18 Eton Villas, London NW3 4SG

"Bedford" in Carrara Marble  
Proposed Fire Surrounds to Raised Ground Floor