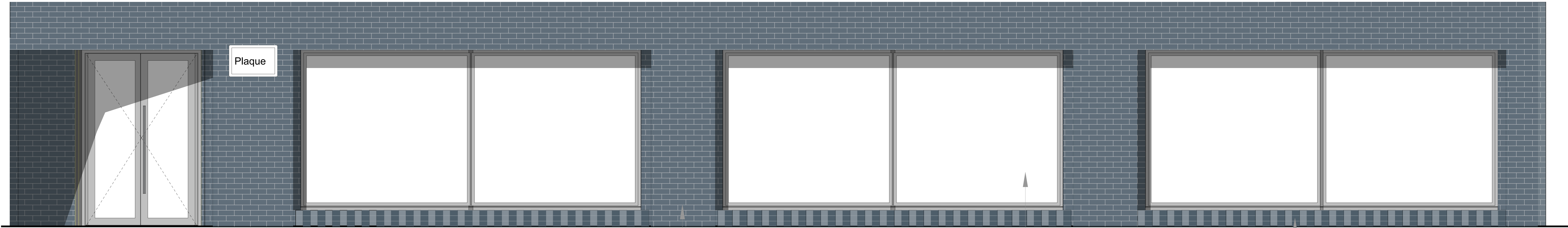


NORTH ELEVATION



Office Entrance
(See door details drawing D201-9)

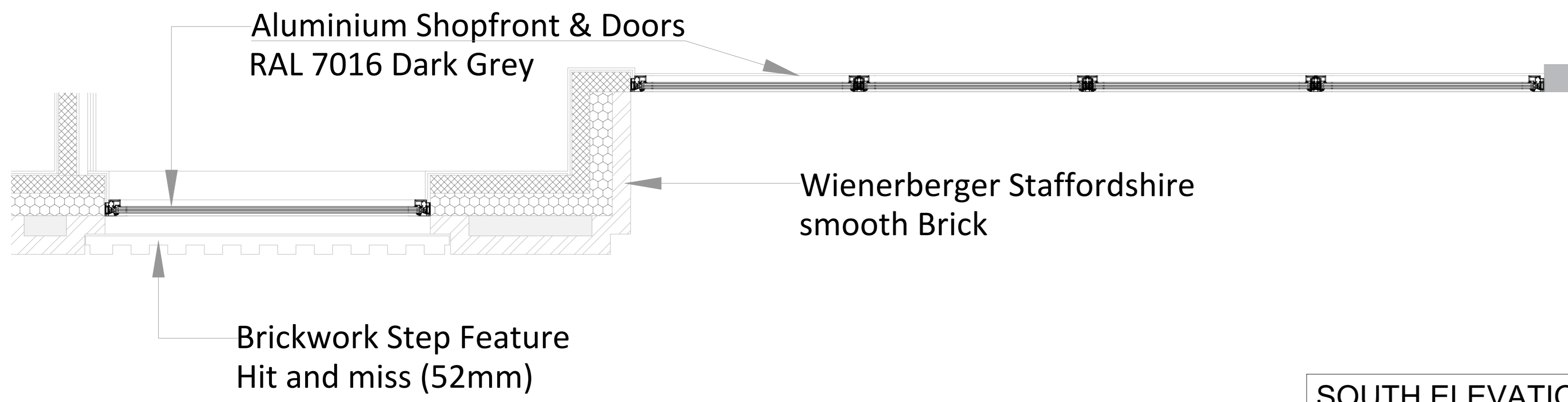
Wienerberger Staffordshire
smooth Brick

Aluminium Shopfront & Doors
RAL 7016 Dark Grey

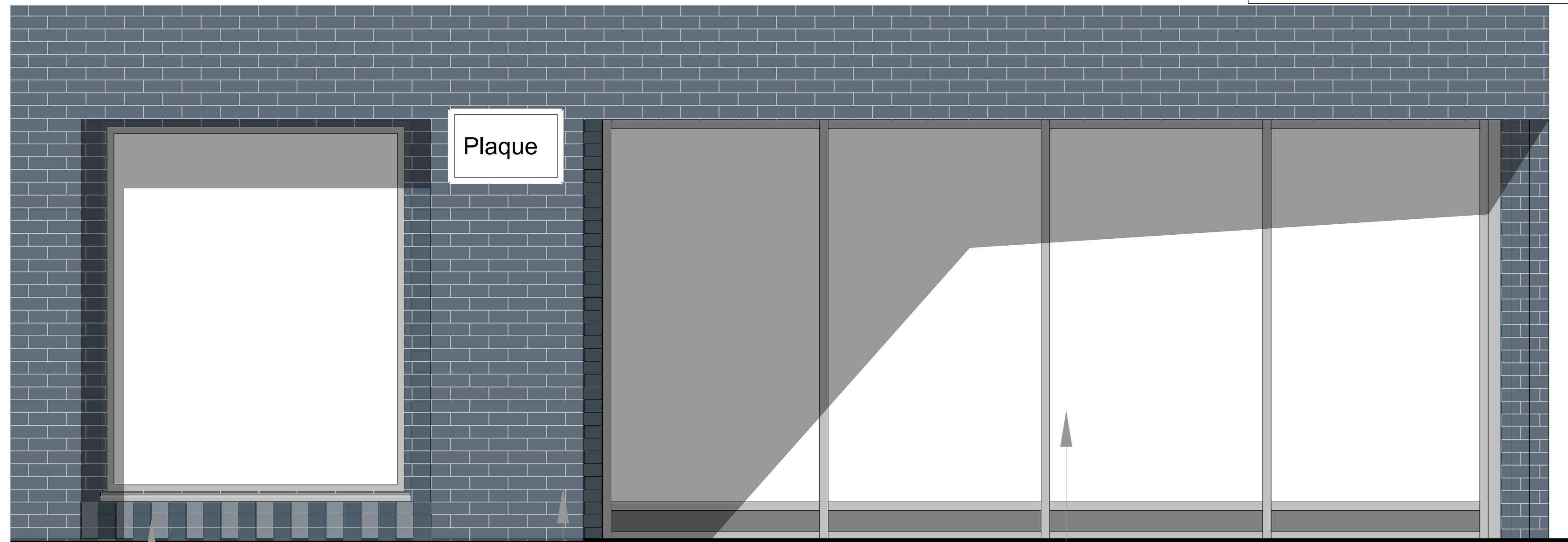
Brickwork Step Feature
Hit and miss (52mm)

Scale 1:20

PLAN VIEW - SOUTH



SOUTH ELEVATION



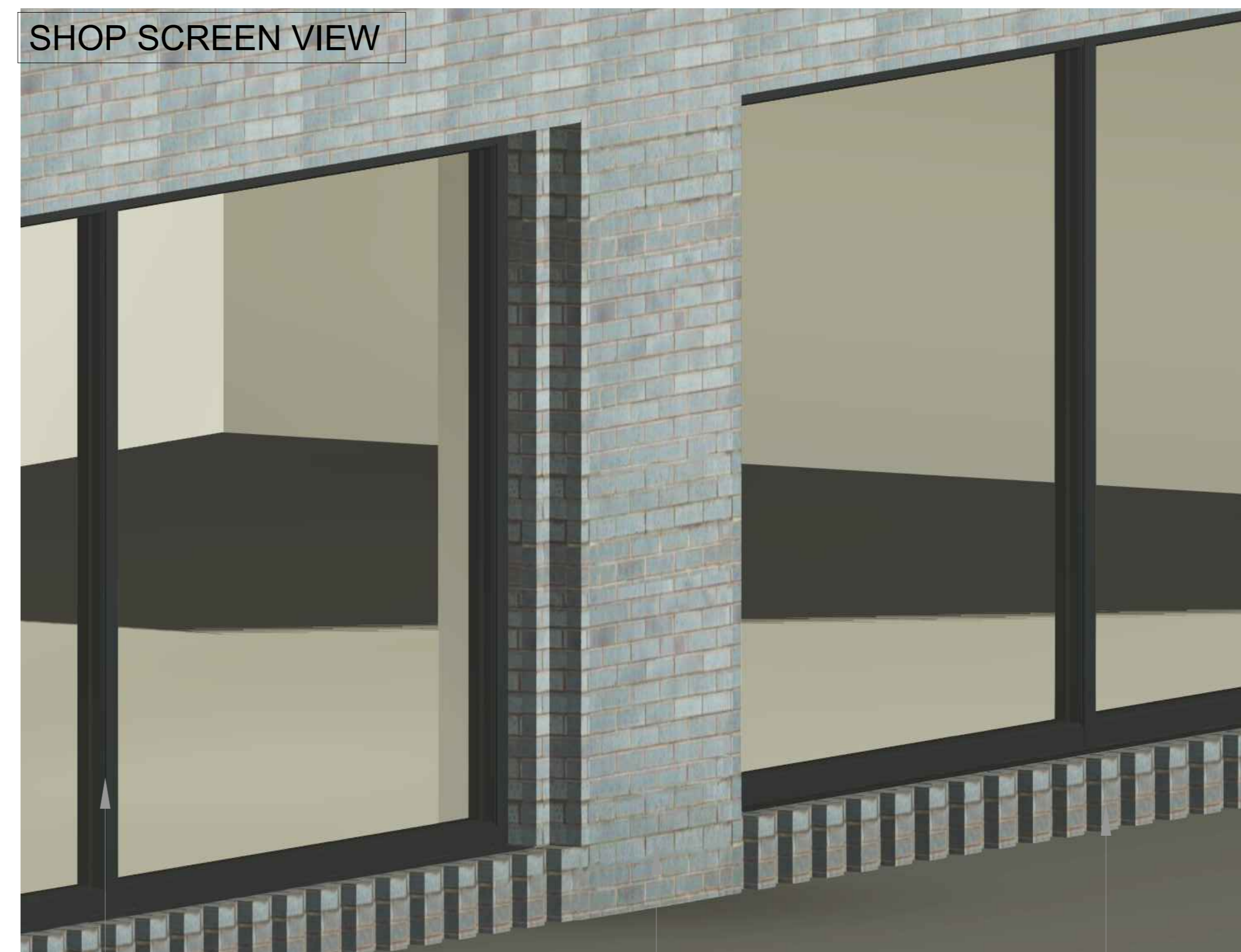
Brickwork Step Feature
Hit and miss (52mm)

Wienerberger Staffordshire
smooth Brick

Aluminium Shopfront & Doors
RAL 7016 Dark Grey

Scale 1:20

SHOP SCREEN VIEW



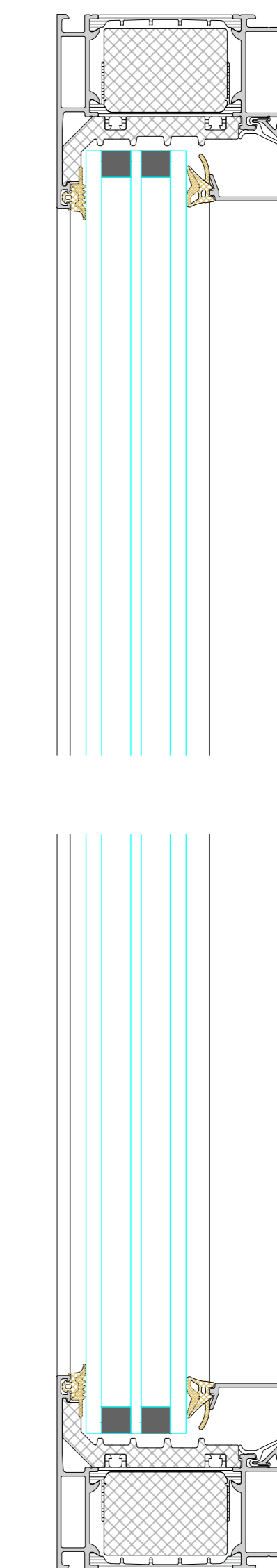
Aluminium Shopfront & Doors
RAL 7016 Dark Grey

Wienerberger Staffordshire
smooth Brick

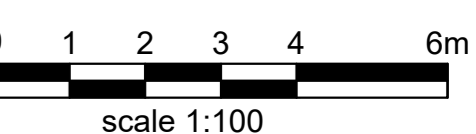
Brickwork Step Feature
Hit and miss (52mm)

Not in Scale - Indicative

WINDOW PROFILE
SECTION DETAILS



Scale 1:2



scale 1:100

PLANNING		
PI	10/01/25	Final Issue
Rev	Date	Scale
ACKMAN ARCHITECTURE + DESIGN Web: www.ackman.co.uk E-mail: info@ackman.co.uk		
Project	1-3 Ferdinand Place, NW1	
Scale	1/2, 1/20@A1	Date 10/01/25
Drawn By	SA	Revision
Project No.	Drawing No.	Revision
2412-01	D201-11	PI
Drawing title		
Conditions 3 Shopfront details		