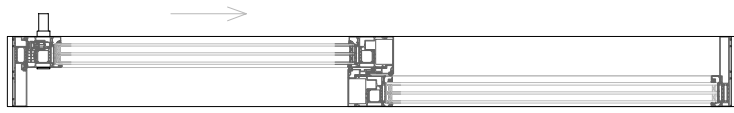
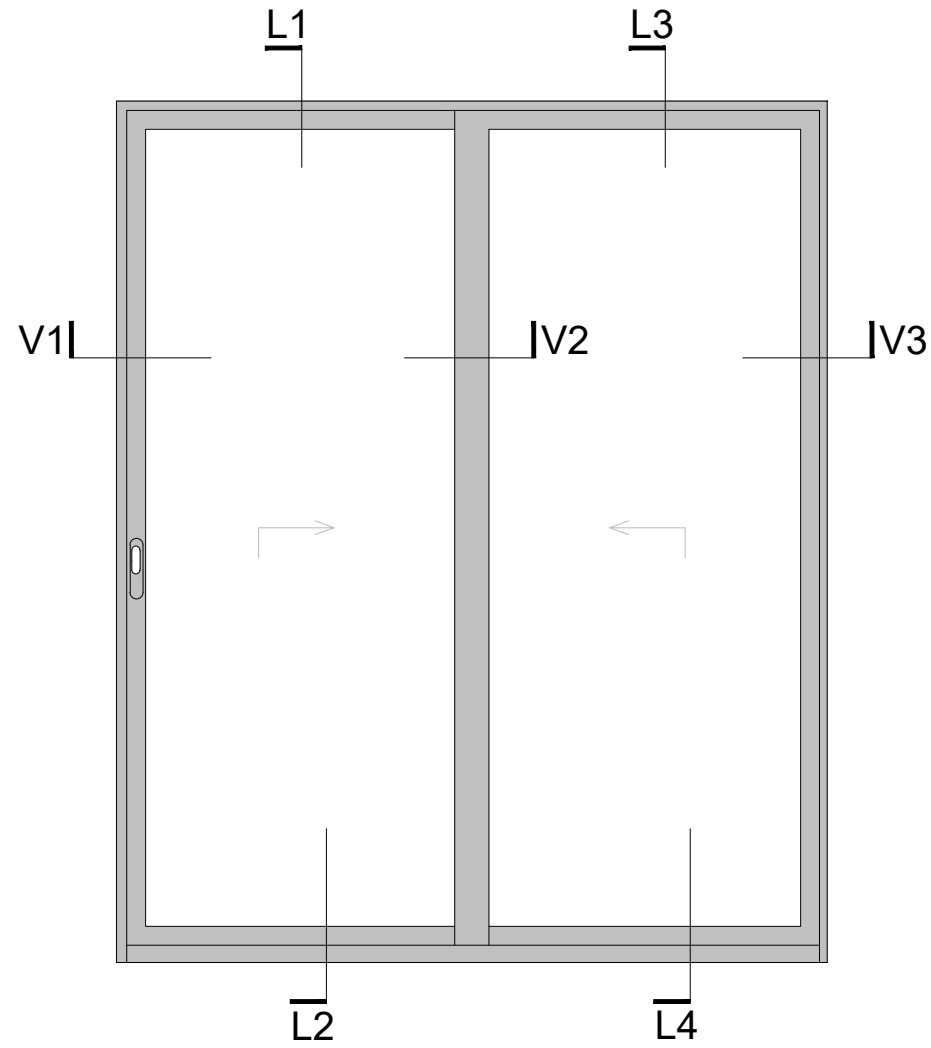


PLAN



ELEVATION

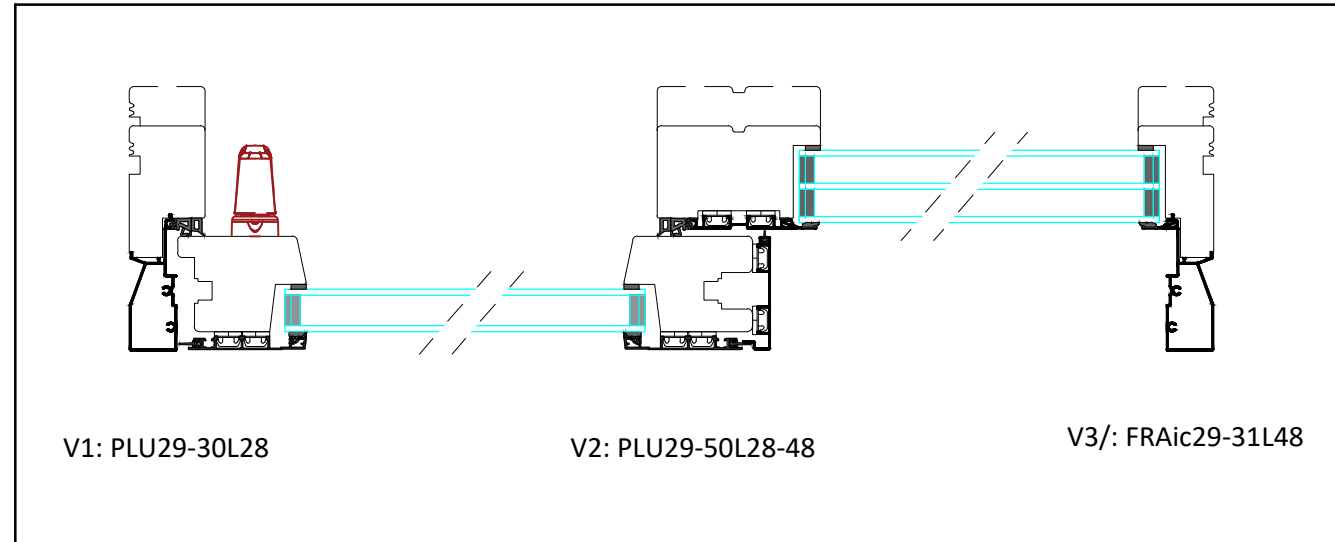


Scale 1:20

Brand: Ideal Combi Futura+
 IC Sliding Door, Low threshold,
 Typical Aluminium Sliding Door
 Colour: RAL 7016, Dark Grey

Location: East, West, South, North Elevations

SECTION DETAILS



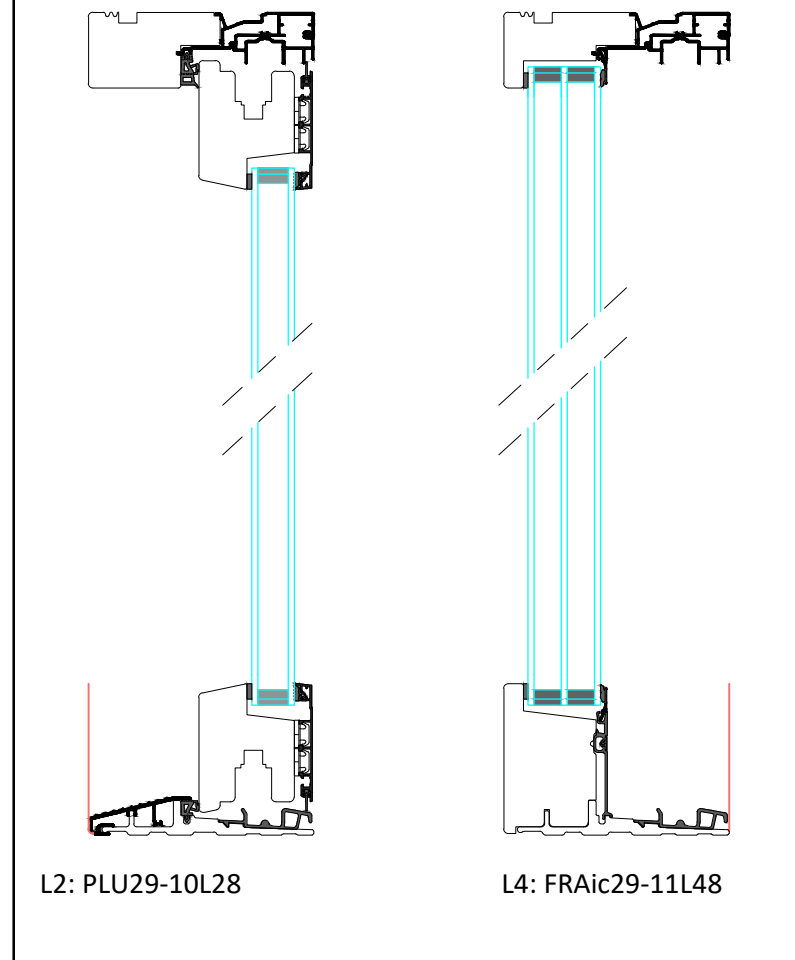
V1: PLU29-30L28

V2: PLU29-50L28-48

V3/: FRAic29-31L48

L1: PLU29-20L28

L3: FRAic29-21L48



L2: PLU29-10L28

L4: FRAic29-11L48

Scale 1:5

PLANNING

Rev.	Date	Notes
P1	10/01/25	First Issue

ACKMAN ARCHITECTURE + DESIGN

Web: www.ackman.co.uk
 E-mail: info@ackman.co.uk

Project 1-3 Ferdinand Place, NW1

Scale 1/5, 1/20@A3 Date 10/01/25

Drawn By SA

Project No. 2412-01	Drawing No. D201-2	Revision P1
------------------------	-----------------------	----------------

Drawing title
 Conditions 3
 Sliding Door