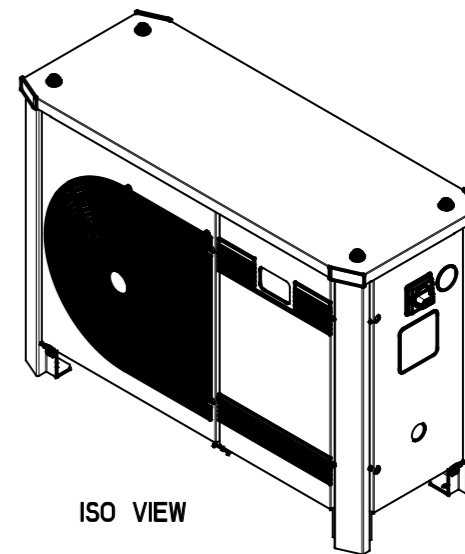
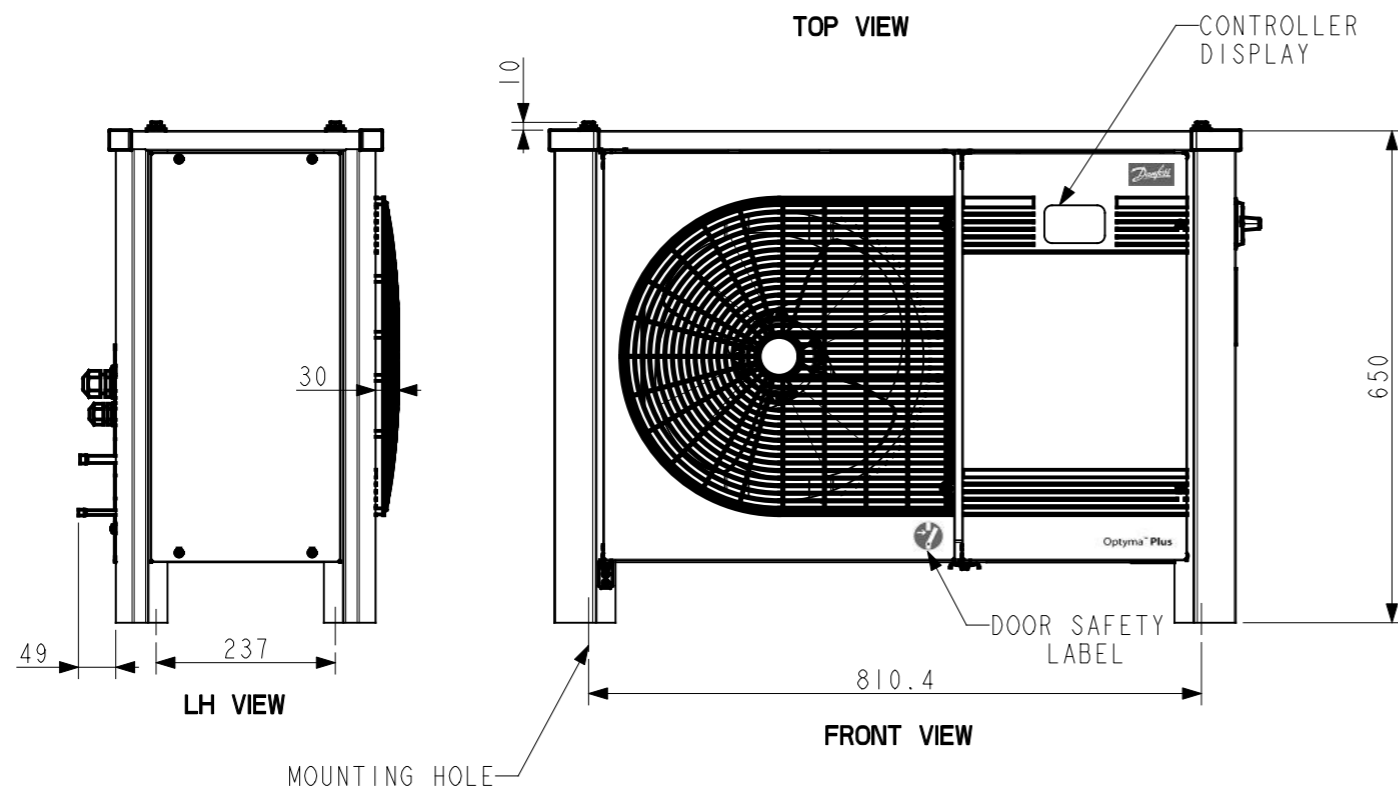


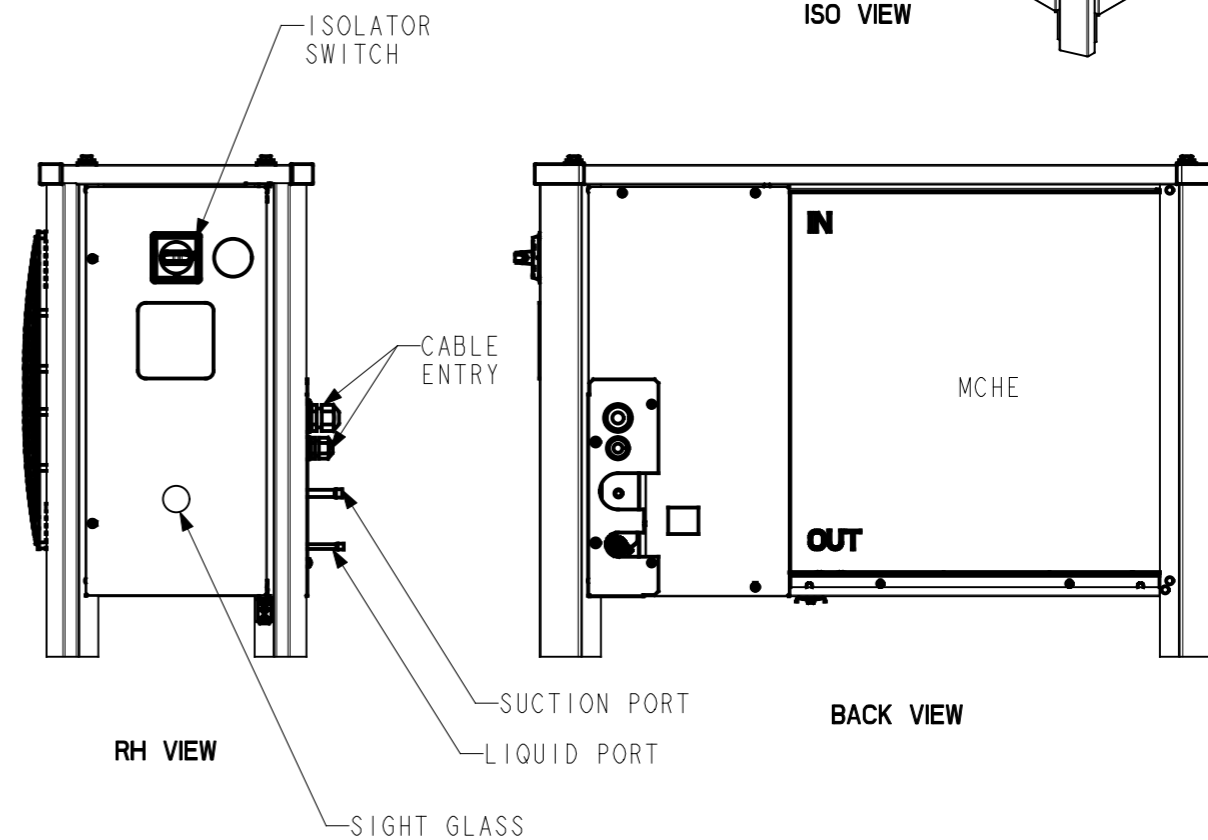
TOP VIEW



ISO VIEW

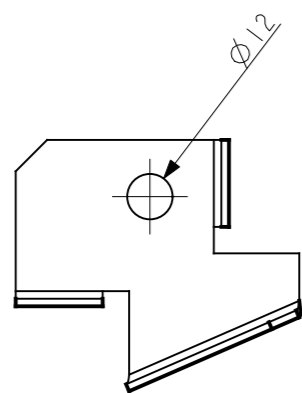


FRONT VIEW



RH VIEW

BACK VIEW



MOUNTING HOLE

1. ALL DIMENSIONS ARE IN MM
2. DRAWING ARE NOT TO SCALE.

General Tolerances Table	Drawing Status :			PRODUCTION PRINT			Key characteristic Critical characteristic According to Danfoss standard 50220024			
	±1, 0.5°			Surface Area (m2)	Estimated Mass (Kg)	Projection		Scale	Size	
Roughness (µm)	A		16-08-2018		-			A3		
	Revision	ECR Number	Date				Material :	See Notes		
	Designer	KAMLESH					Designation			ASSEMBLY,GA.OP-HI
	Approval	RAJAN GORE					Sheet 1 of 1			B.1 Dwg N° 118A1776
Confidential: Property of Danfoss Commercial Compressors. Not to be handed over to copied or used by third party. Two or three dimensional reproduction of contents to be authorized by Danfoss CC.								B		