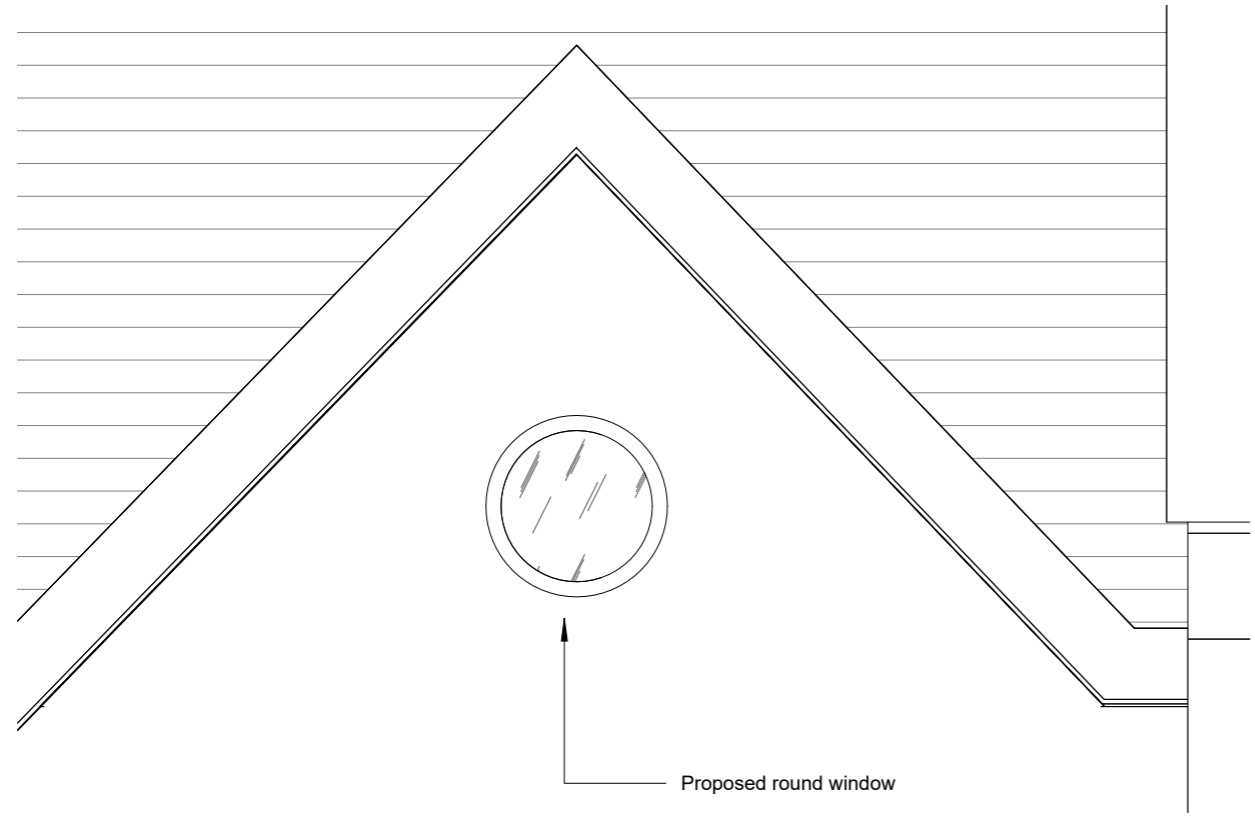
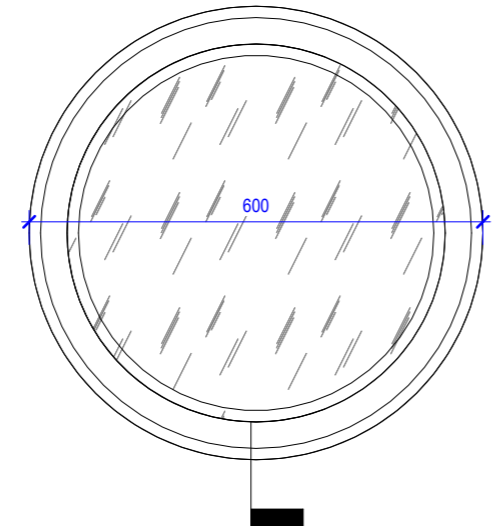


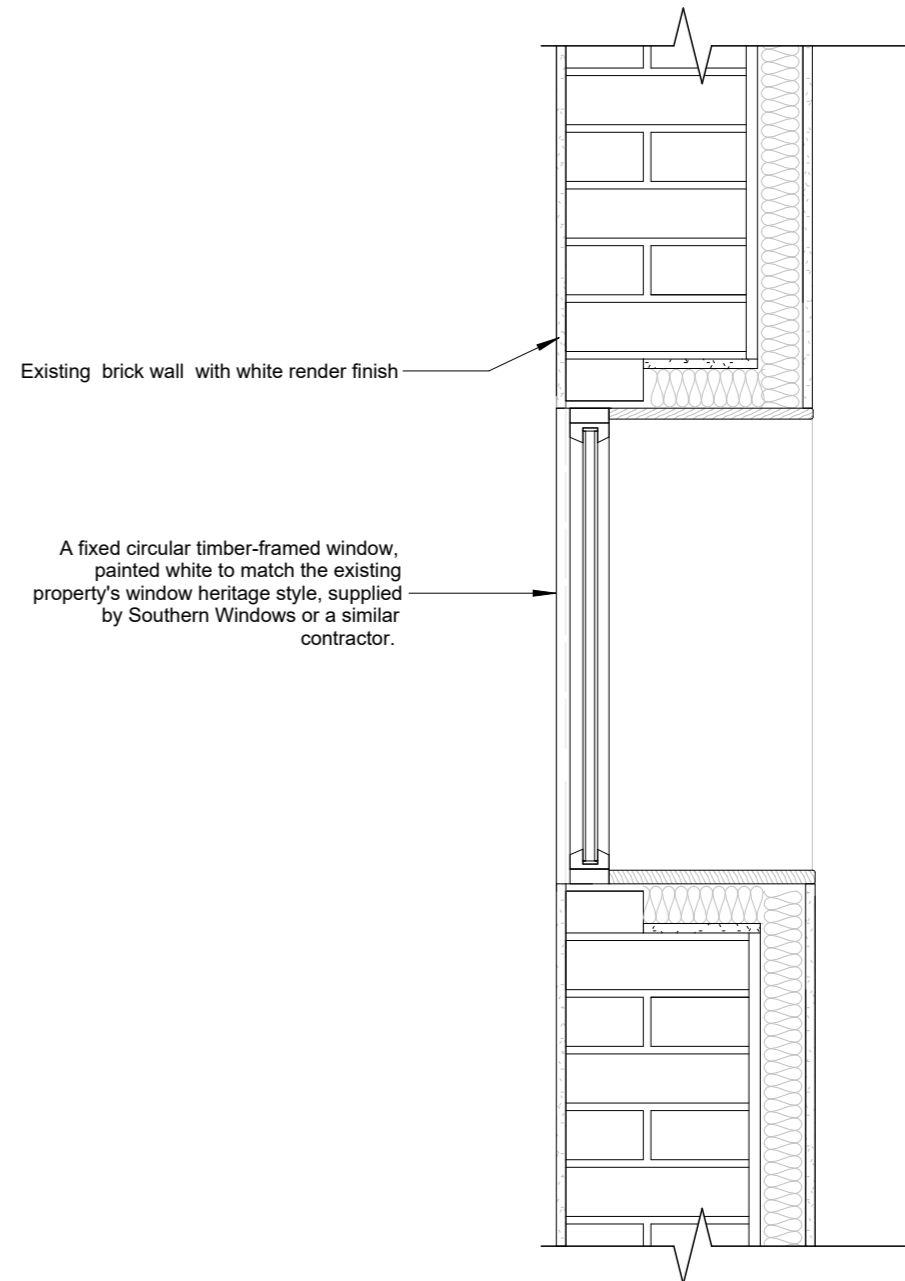
Hampstead Architects



FRONT ELEVATION VIEW
 SCALE 1:25 @A3



Section A
 DETAIL ELEVATION VIEW
 SCALE 1:10 @A3



Existing brick wall with white render finish

A fixed circular timber-framed window, painted white to match the existing property's window heritage style, supplied by Southern Windows or a similar contractor.

SECTION A
 SCALE 1:10 @A3

PROJECT
 Crediton Hill

ADDRESS
 19 Crediton Hill
 London. NW6 1HS

DRAWING TITLE

Proposed window details

SCALE	DATE	REV	DWG NO.
N/A	17/01/2025		E406

