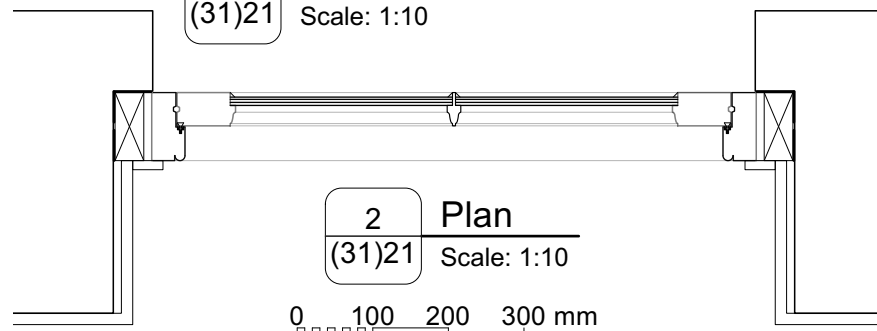
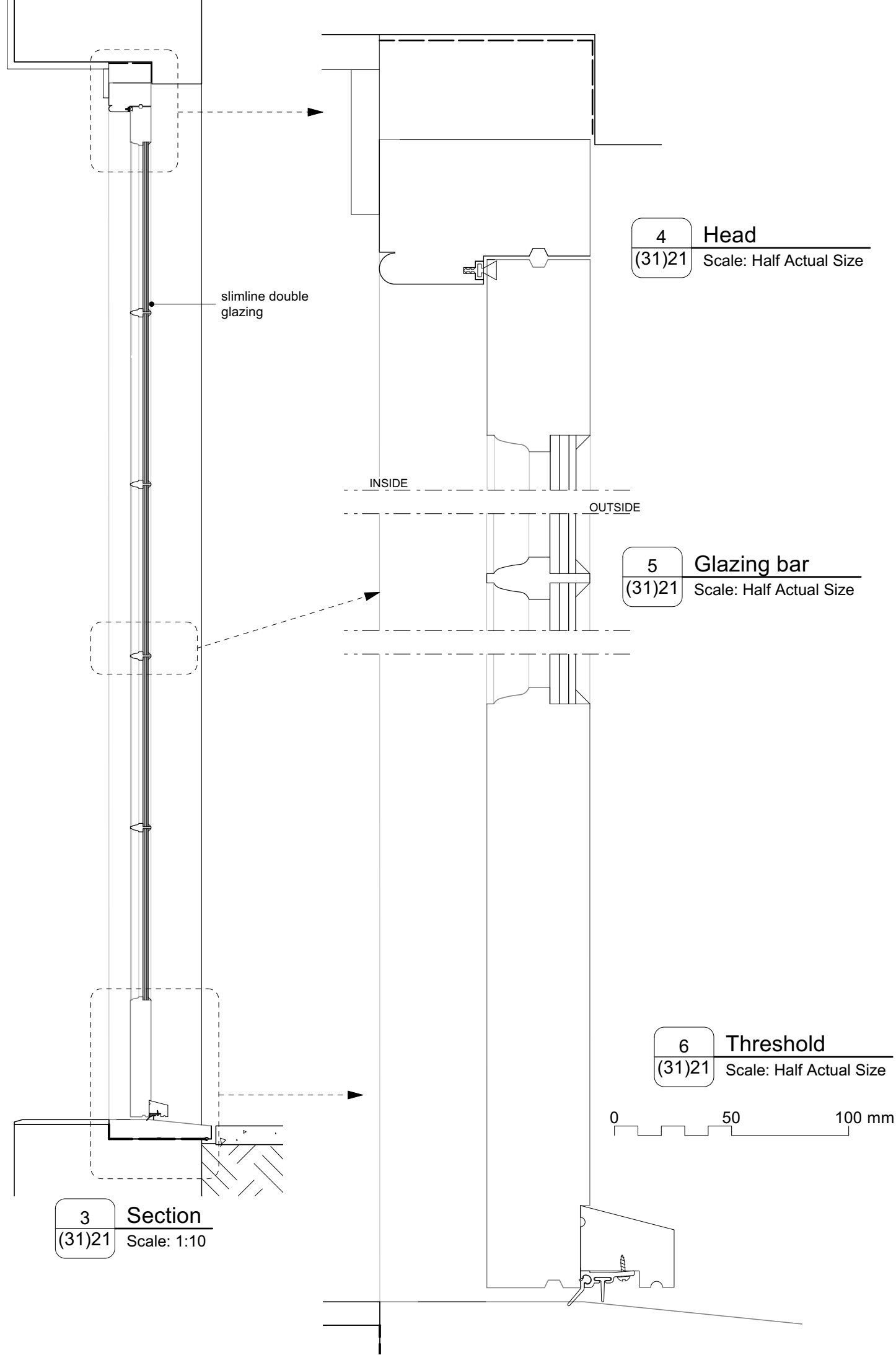


1 French door elevation
 (31)21 Scale: 1:10



2 Plan
 (31)21 Scale: 1:10

0 100 200 300 mm



3 Section
 (31)21 Scale: 1:10

4 Head
 (31)21 Scale: Half Actual Size

5 Glazing bar
 (31)21 Scale: Half Actual Size

6 Threshold
 (31)21 Scale: Half Actual Size

0 50 100 mm

Notes

SLIMLITE GLAZING SPECIFICATION

11 mm slimlite double glazed units with 5 mm perimeter seal:
 - 3 mm Low-e inner pane
 - 4 mm gas filled cavity
 - 4 mm outer pane

to achieve minimum U value of 1.9 W/m² deg C.
 Rebate in frames to be 22x7 mm.
 Units edge taped in protective waterproof tape.
 Set in 2 mm Butyl with min 6 mm putty.

WEATHER SEAL SPECIFICATION

DRAUGHT SEAL TYPE B
 Reddiseal Reddifin
 Weather pile 5.5 white
 Brush strip in centre leg pile carrier

Revisions

Kelley House
 18-20 Royal College Street
 NW1

Terrace Door details

ROGER MEARS ARCHITECTS LLP
 Union Chapel, Compton Avenue London N1 2XD

rma@rmears.co.uk tel 020 7359 8222
 www.rmears.co.uk © Roger Mears Architects LLP

Date	Scale
Sep 2024	As shown@A3

Job No.	Dwg No.	Rev
2245	(31)21	