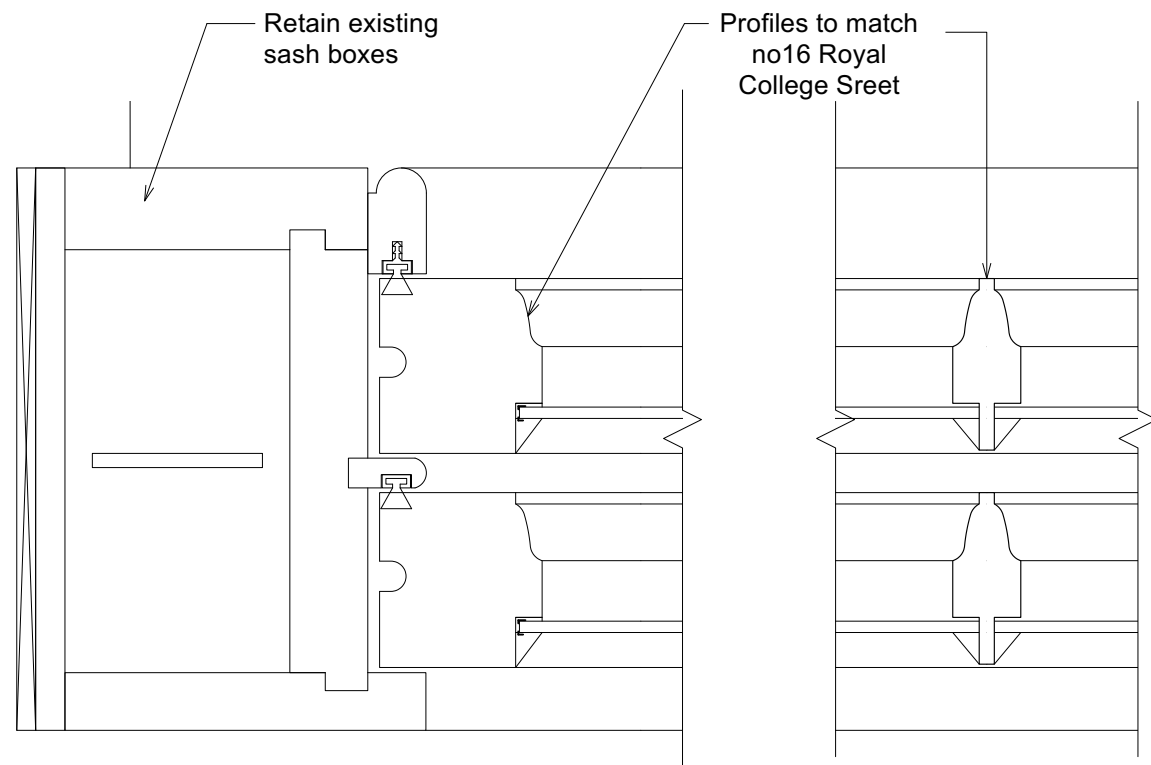
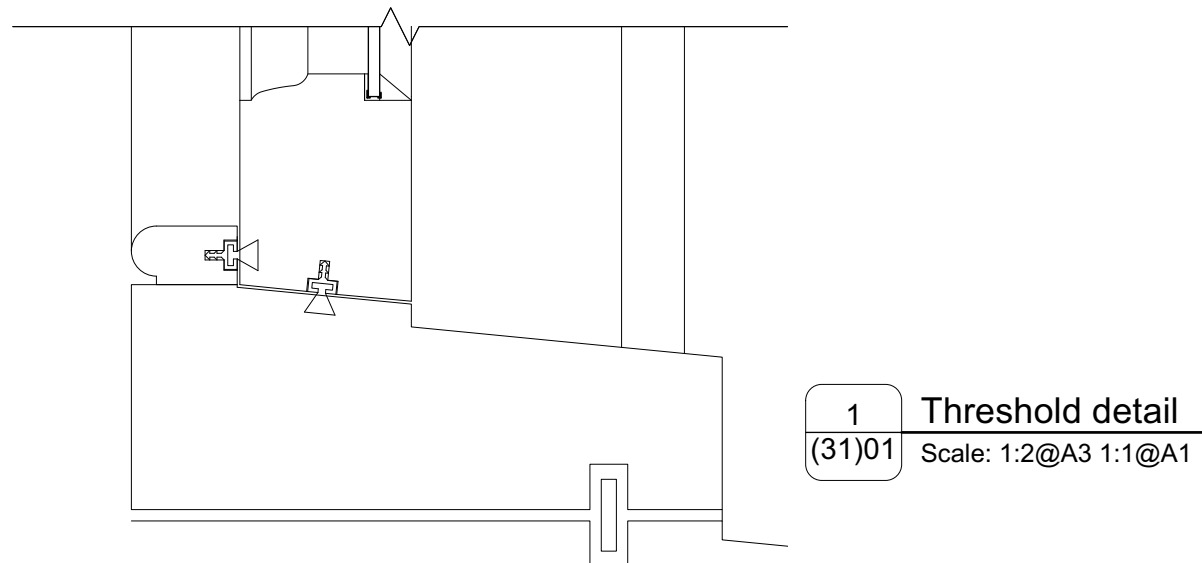
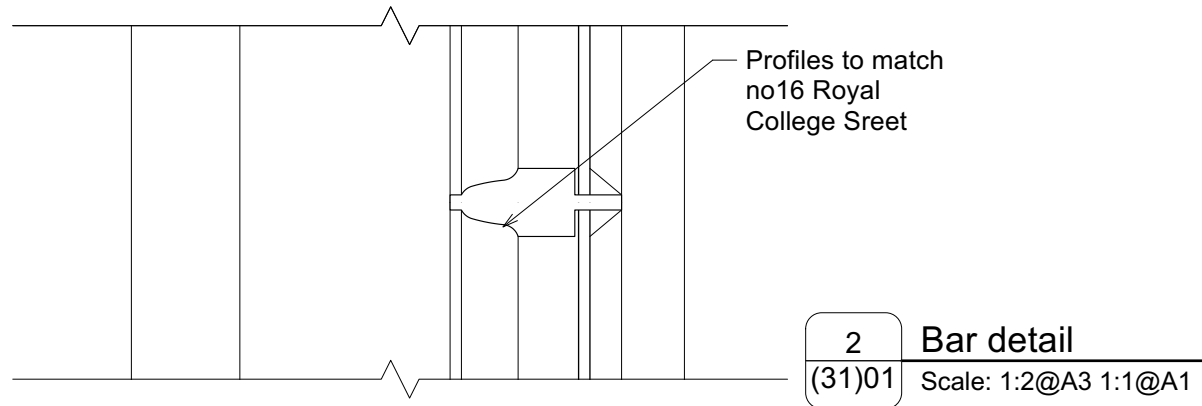
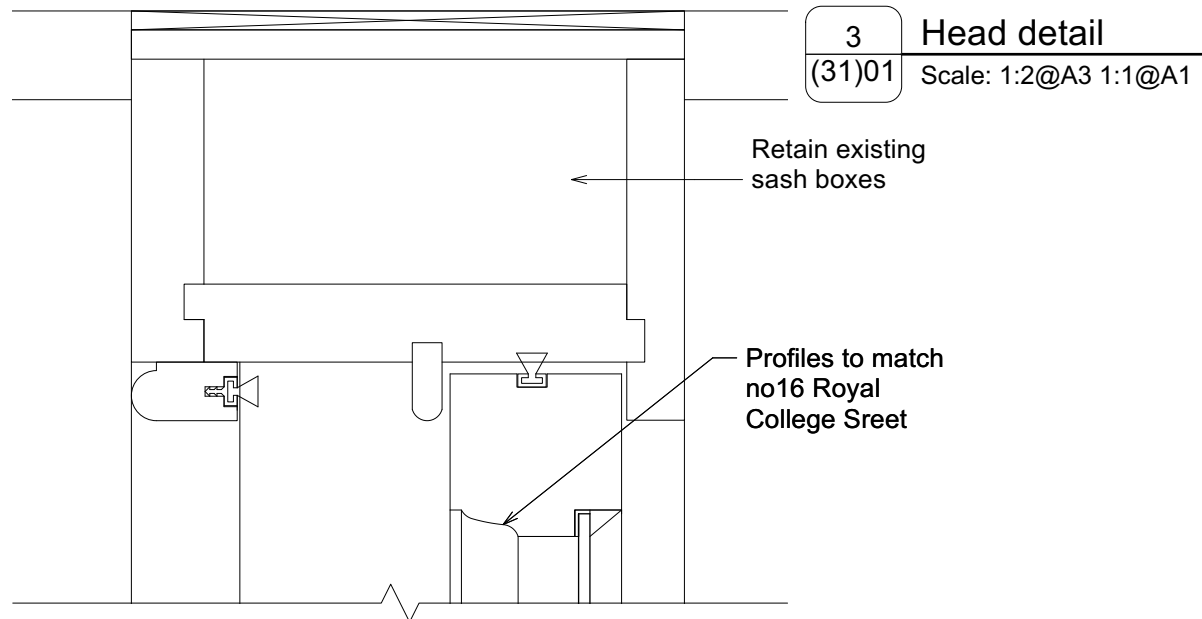


GLAZING SPECIFICATION Single glazed units with 5 mm perimeter seal

NOTE: WINDOW PROFILES DETAIL TO MATCH ROYAL COLLEGE STREET No 16

Notes



4 **Jamb detail**
(31)01 Scale: 1:2@A3 1:1@A1

5 **Bar detail**
(31)01 Scale: 1:2@A3 1:1@A1



Revisions

Kelley House
18-20 Royal College Street
NW1

Window details

ROGER MEARS ARCHITECTS LLP
Union Chapel, Compton Avenue London N1 2XD

rma@rmears.co.uk tel 020 7359 8222
www.rmears.co.uk © Roger Mears Architects LLP

Date: Sep 2024 Scale: 1:2@A3 1:1@A1

Job No. 2245 Dwg No. (31)01 Rev