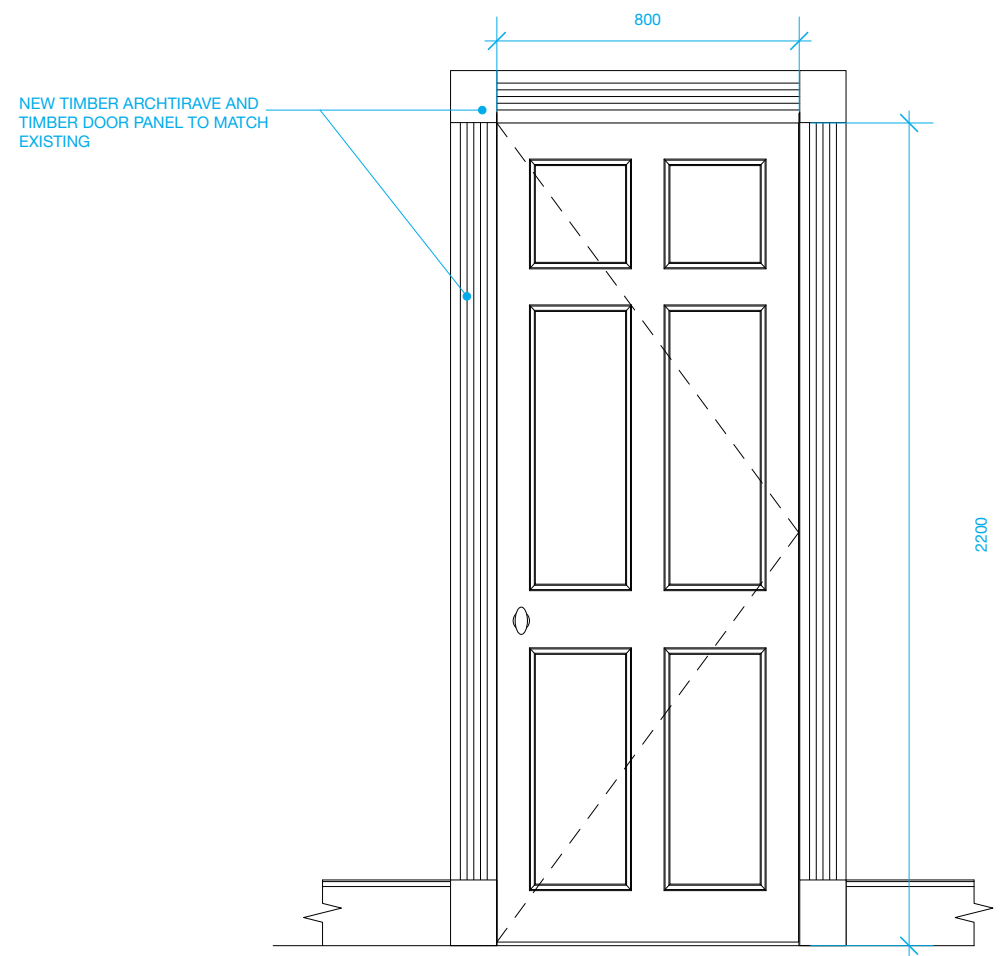


© This drawing is the property of Miltiadou Cook Mitzman architects. No disclosure or copy of it may be made without the written permission of Miltiadou Cook Mitzman architects.

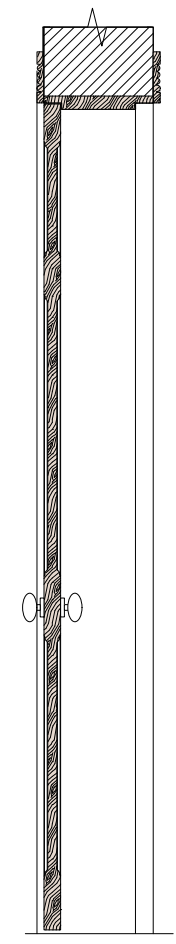
**For construction purposes:**  
 - Do not scale this drawing.  
 - All dimensions and levels to be checked on site.  
 - Discrepancies to be reported to Miltiadou Cook Mitzman architects before proceeding.  
 - If in any doubt about information on this drawing contact Miltiadou Cook Mitzman architects.

**EXISTING EARLY ARCHITRAVE DETAIL TO BE REPLICATED**

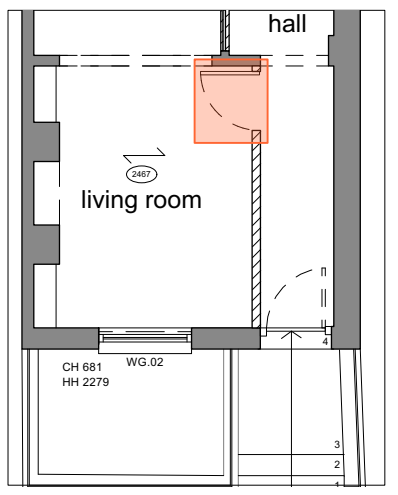
REVISION NUMBER	DATE	BY	NOTES
P1	13/12/2024	OS	Issued for planning: further information on doors, architraves and cornices



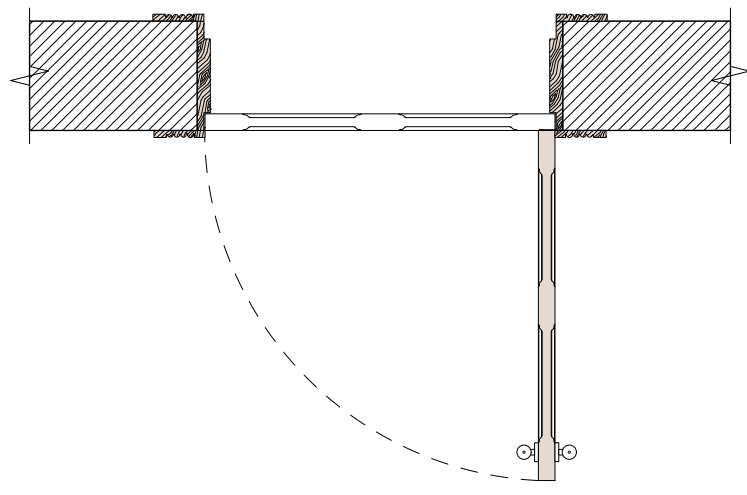
2 Timber Door - Elevation  
1:20



3 Timber Door - Section  
1:20



GF internal Door Plan - Living Room  
1:100



1 Timber Door - Plan  
1:20



**MULTIADOU COOK MITZMAN architects llp**

020 7722 8525 office@mcma.design www.mcma.design  
 3rd Floor 10-12 Emerald Street London WC1N 3QA

**CLIENT**  
Mrs Misha Moore

**PROJECT**  
10 Prowse Pl, NW1 9PN

**SHEET TITLE**  
Internal Door - Details (GF)

**SCALE**  
AS NOTED@A3

**DATE CREATED** **FILE REFERENCE**

DRAWING NUMBER	REVISION
420-DWG-016	P1