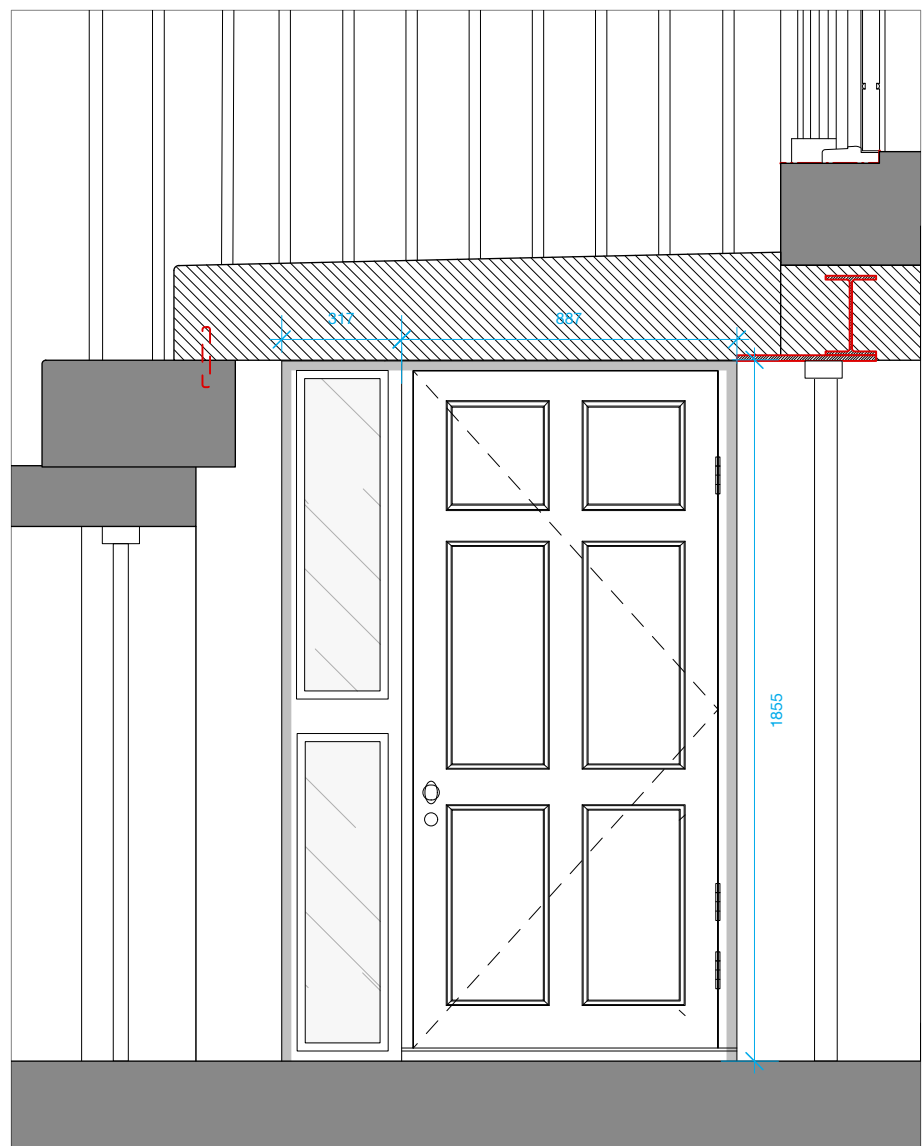


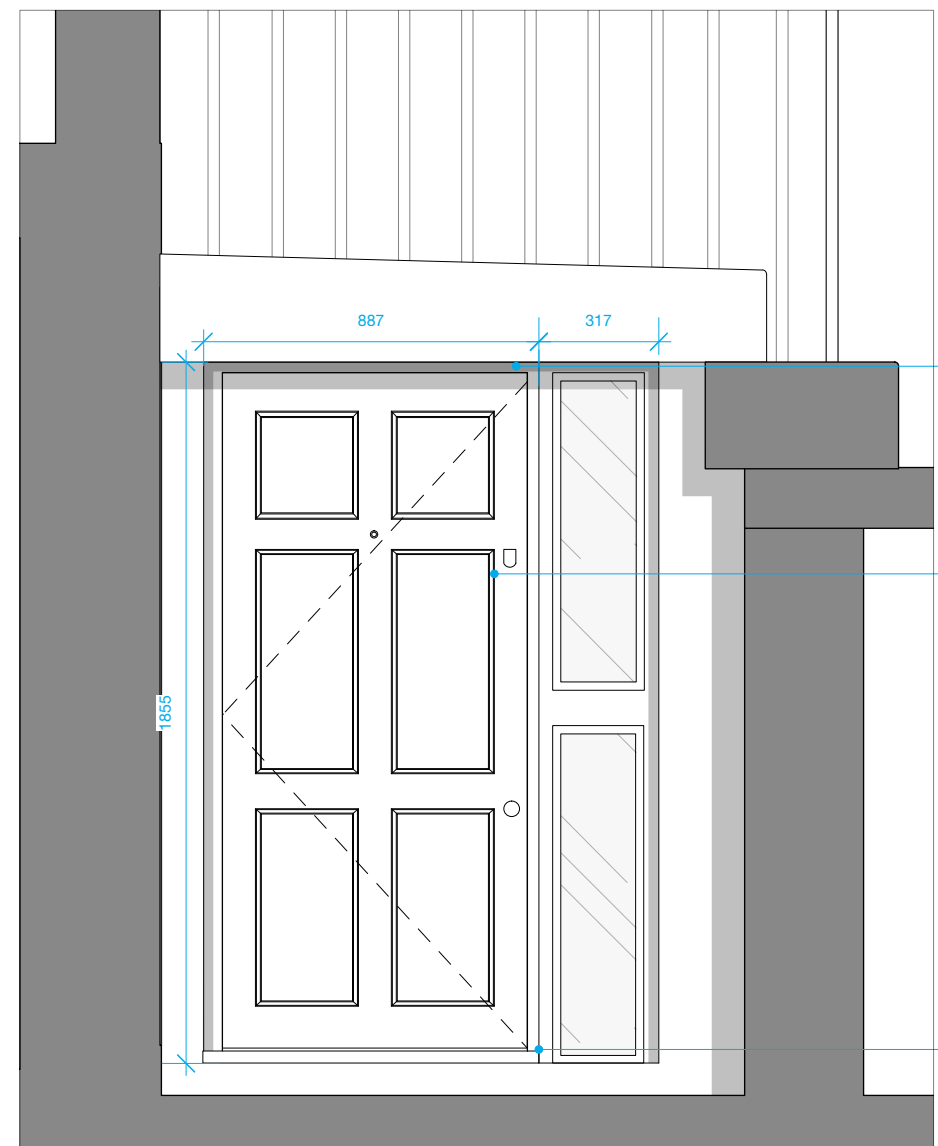
© This drawing is the property of Miltiadou Cook Mitzman architects. No disclosure or copy of it may be made without the written permission of Miltiadou Cook Mitzman architects.

For construction purposes:
 - Do not scale this drawing.
 - All dimensions and levels to be checked on site.
 - Discrepancies to be reported to Miltiadou Cook Mitzman architects before proceeding.
 - If in any doubt about information on this drawing contact Miltiadou Cook Mitzman architects.

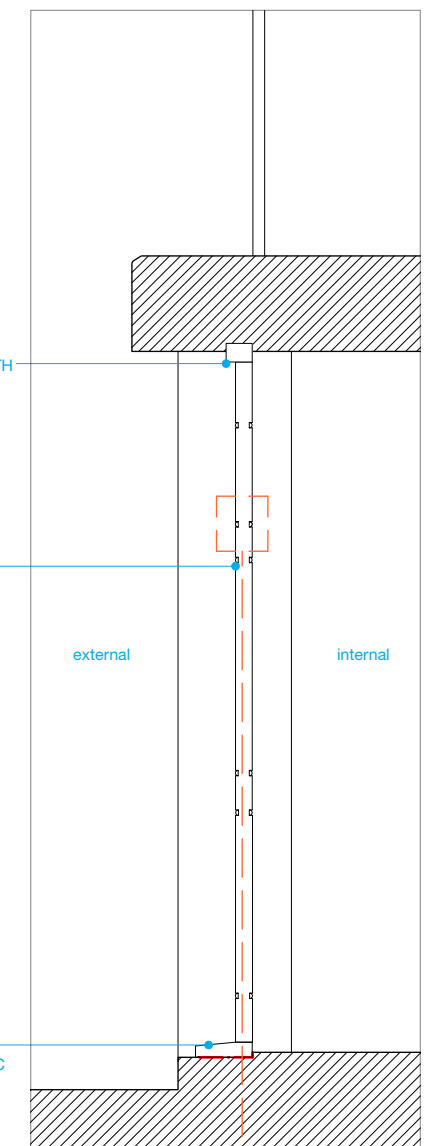
REVISION NUMBER	DATE	BY	NOTES
P1	13/12/2024	OS	Issued for planning: further information on doors, architraves and cornices



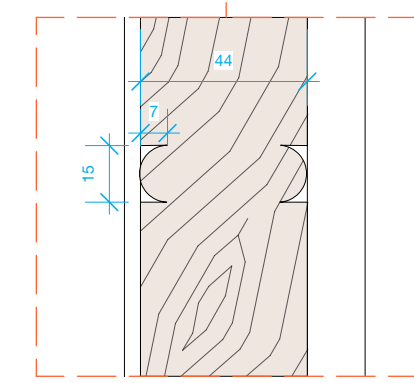
1 Lightwell Door Internal Elevation
1:20



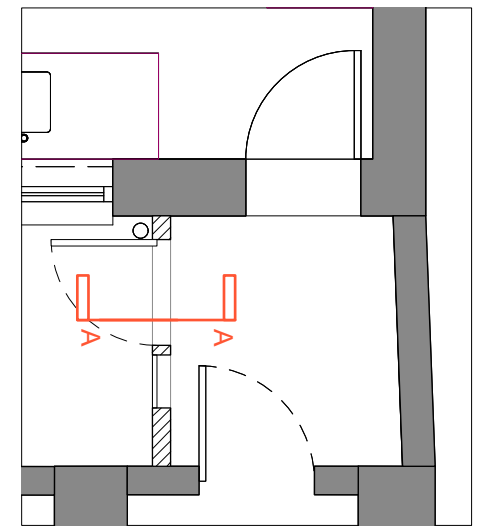
2 Lightwell Door External Elevation
1:20



3 Lightwell Door - Section AA
1:20



4 Door Panel Detail
1:2



LGF Lightwell Door Plan
1:50

MILTIADOU COOK MITZMAN architects llp

020 7722 8525 office@mcma.design www.mcma.design
 3rd Floor 10-12 Emerald Street London WC1N 3QA

CLIENT
Mrs Misha Moore

PROJECT
10 Prowse Pl, NW1 9PN

SHEET TITLE
Lightwell Door - Details

SCALE
AS NOTED@A3

DATE CREATED **FILE REFERENCE**

DRAWING NUMBER	REVISION
420-DWG-015	P1