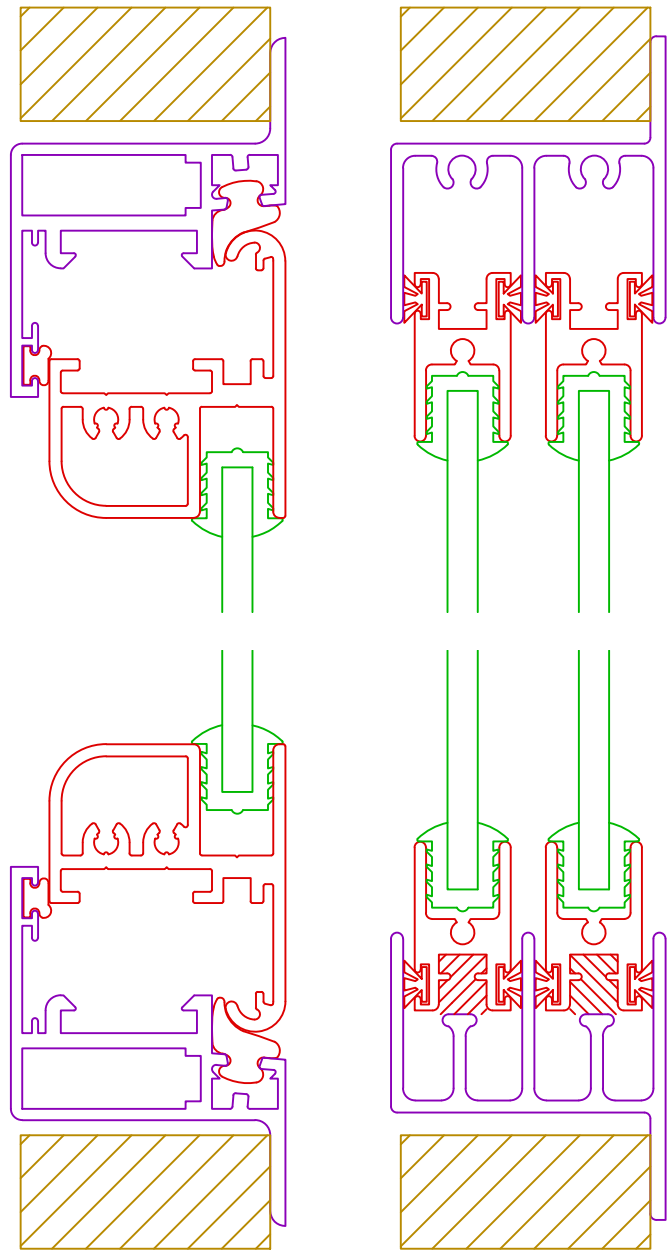
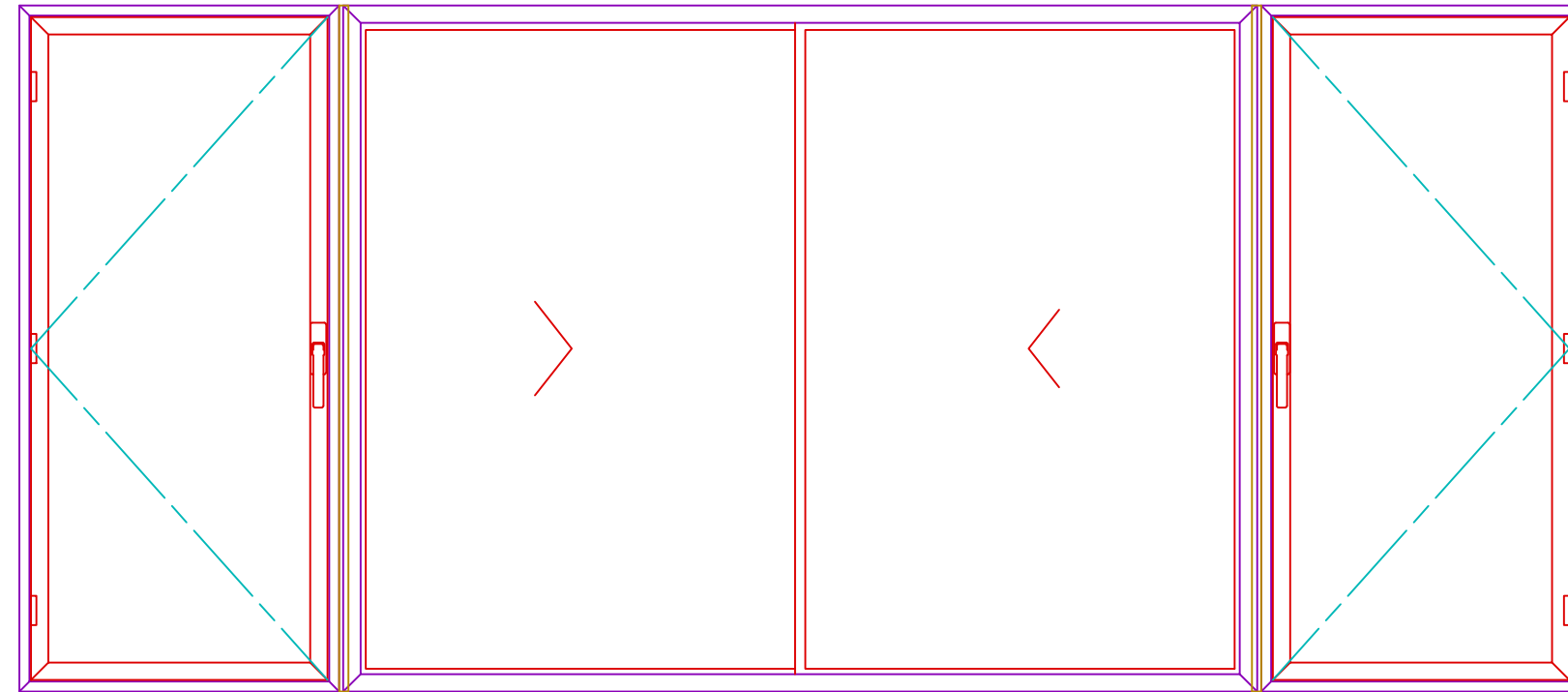


All dimensions are in millimetres

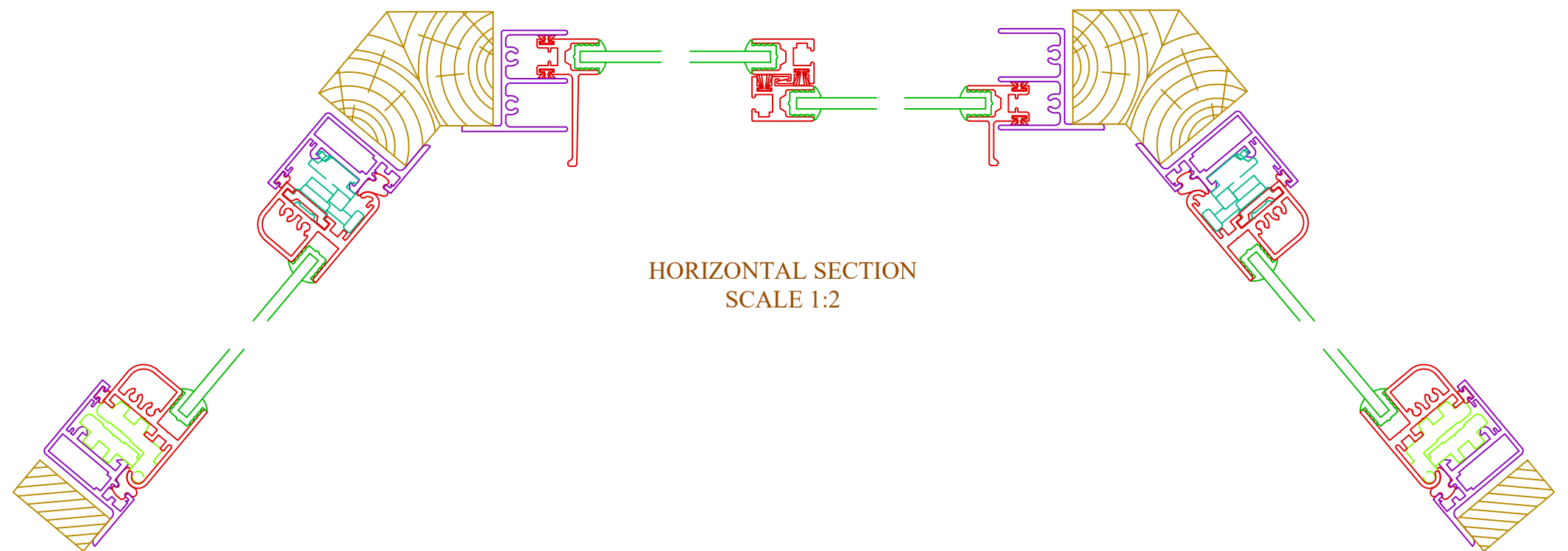


VERTICAL SECTION
S45-SHC
SCALE 1:1

VERTICAL SECTION
S10-2HS
SCALE 1:1



SECONDARY ELEVATION
S45-SHC + S10-2HS + S45-SHC
SCALE 1:16



HORIZONTAL SECTION
SCALE 1:2

S45-SHC + S10-2HS + S45-SHC Bay Section Details

Client: Structure Tone

Site: Bloomsbury Quarter Project 1

DATE
15/11/2024

SCALE
1:16/1:2/1:1 @ A3

DRAWING No.
BQ-3520-WB-ML-DR-X-00005

selectaglaze

ALBAN PARK, HATFIELD ROAD
ST. ALBANS HERTS AL4 0JJ
TEL: 01727 837271
FAX: 01727 844053