

Disclaimer: All design detail within this drawing are intellectual property of Brooksby Projects Ltd and cannot be duplicated without written consent

GENERAL NOTES:

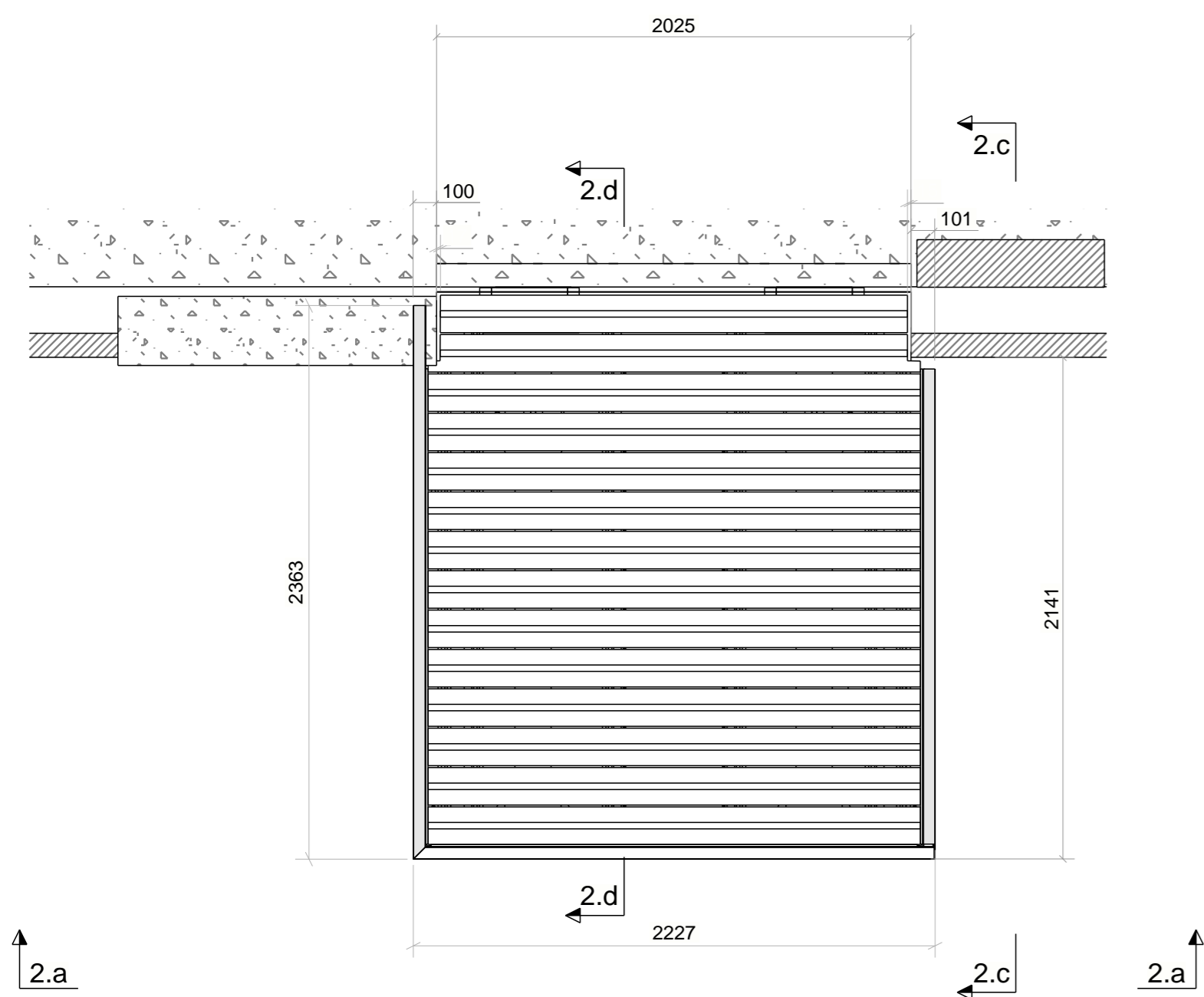
Refer to drawings MC035-BPL-XX-XX-XX-DR 5660 - 5663

Specification Details;

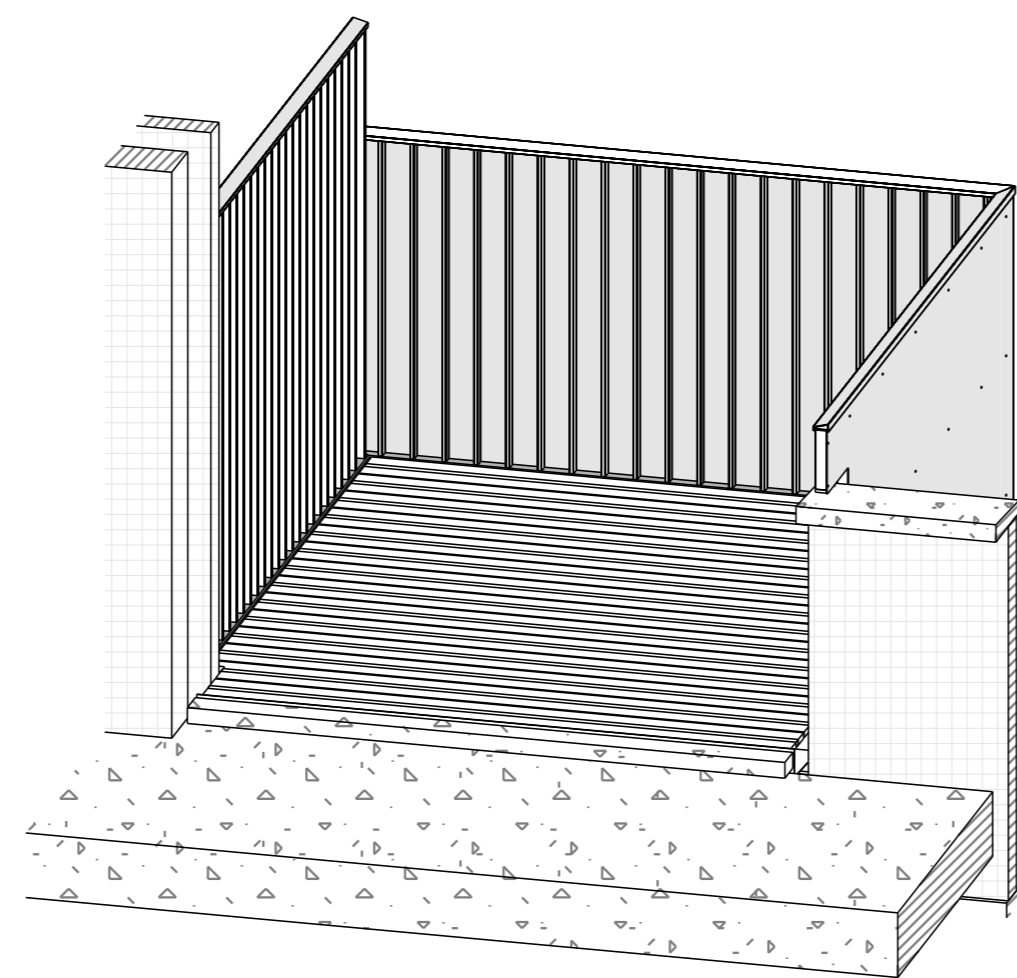
Soffits Out Of 2mm Aluminium Plate - Grade 1050A
 Balustrade Cover Plates Out Of 3mm Aluminium Plate - Grade 1050A
 Cap Rail and Infill bars
 All PPC Ral No. 7044 Silk Grey 40 - 60% Gloss
 3mm Cover Plate Fixings - M5 Wide Flange Button Head Screws

Chassis O/O 6mm Folded Plate - Grade S275 Galvanised to 85 Microns

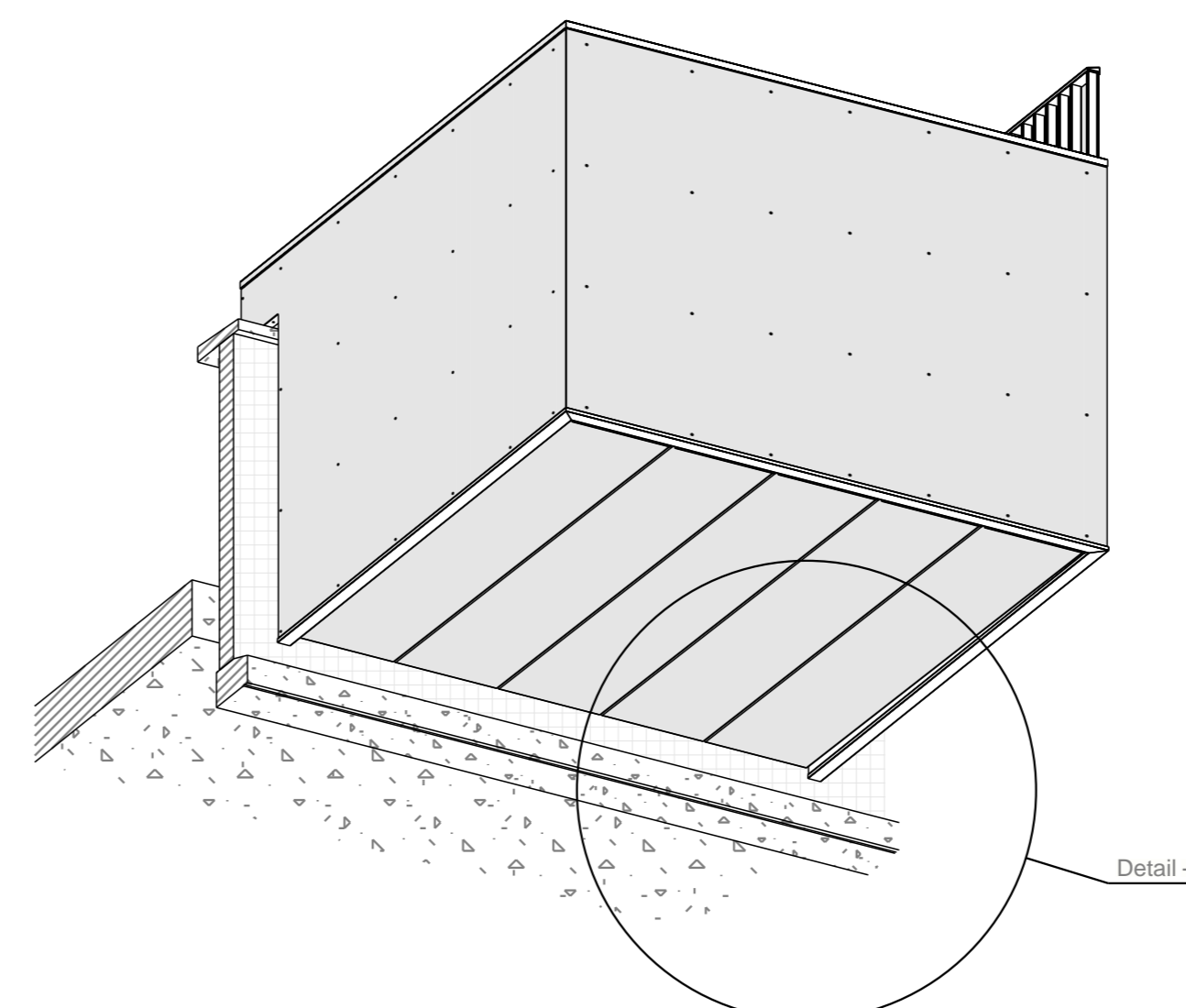
Decking - 160mm Wide x 20 Deep Aluminium
 - Ral No. 7016 Antracite Grey Standard Finish



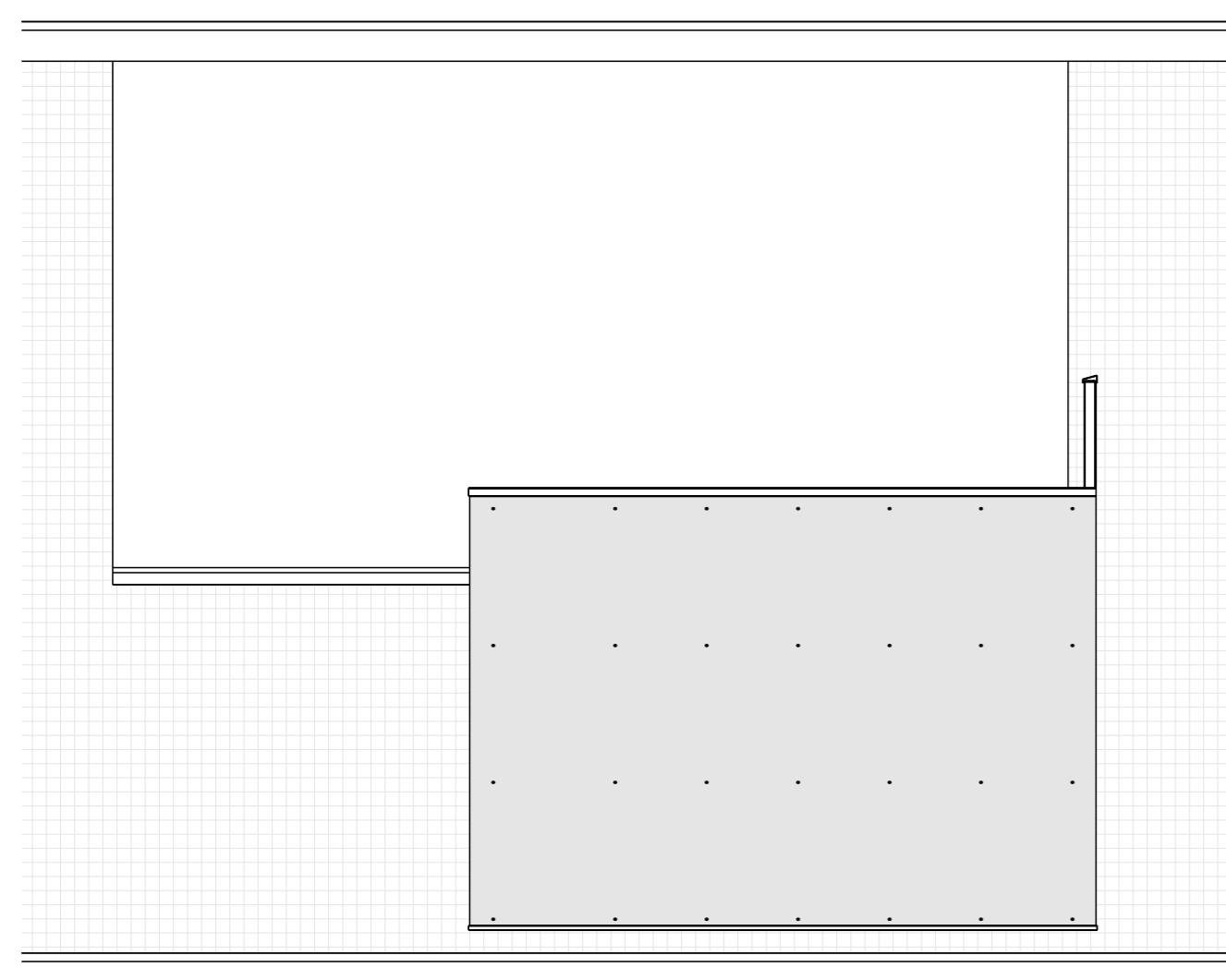
Type 2 - Balcony Plan
1:25



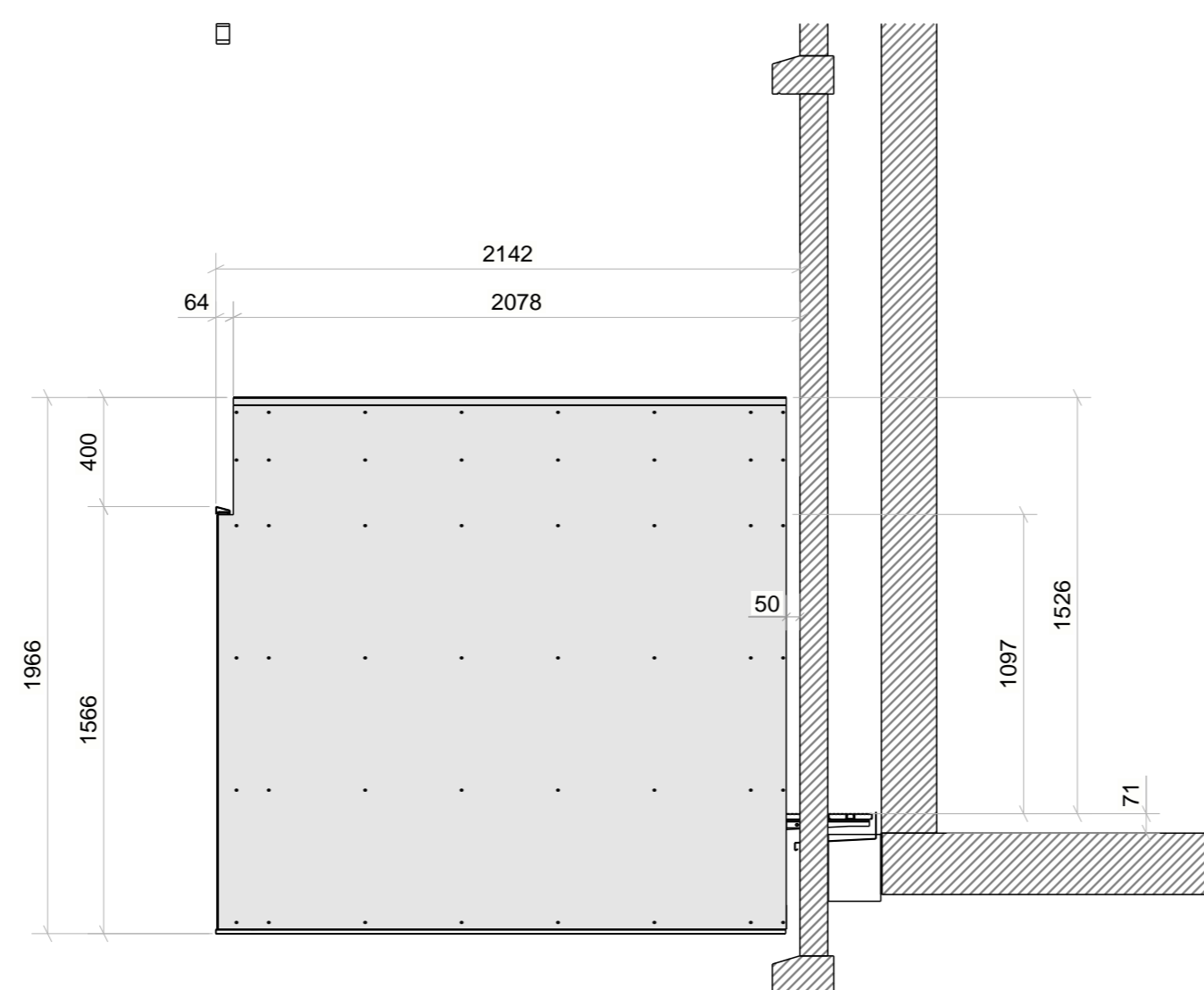
Type 2 - Balcony 3D



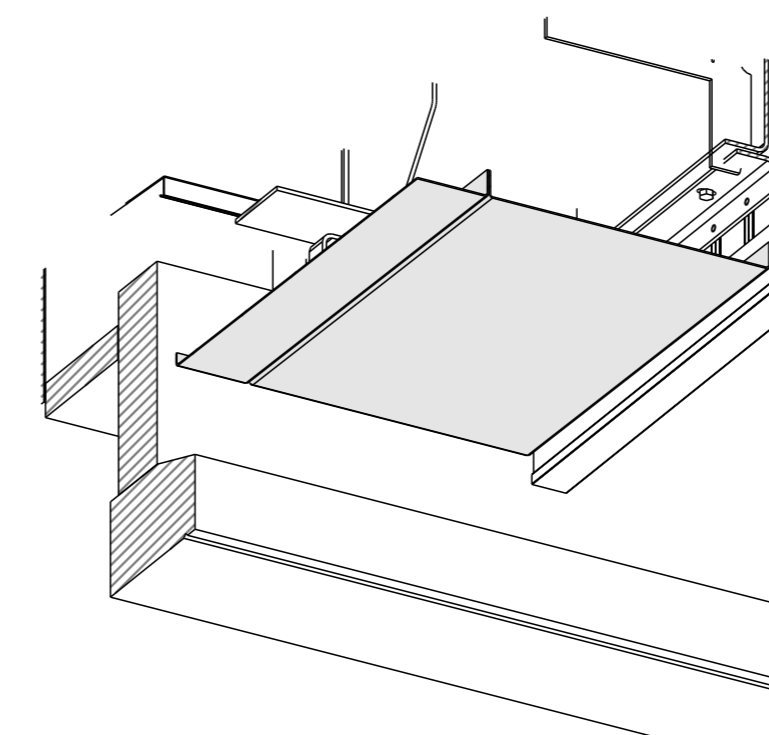
Type 2 - Balcony 3D



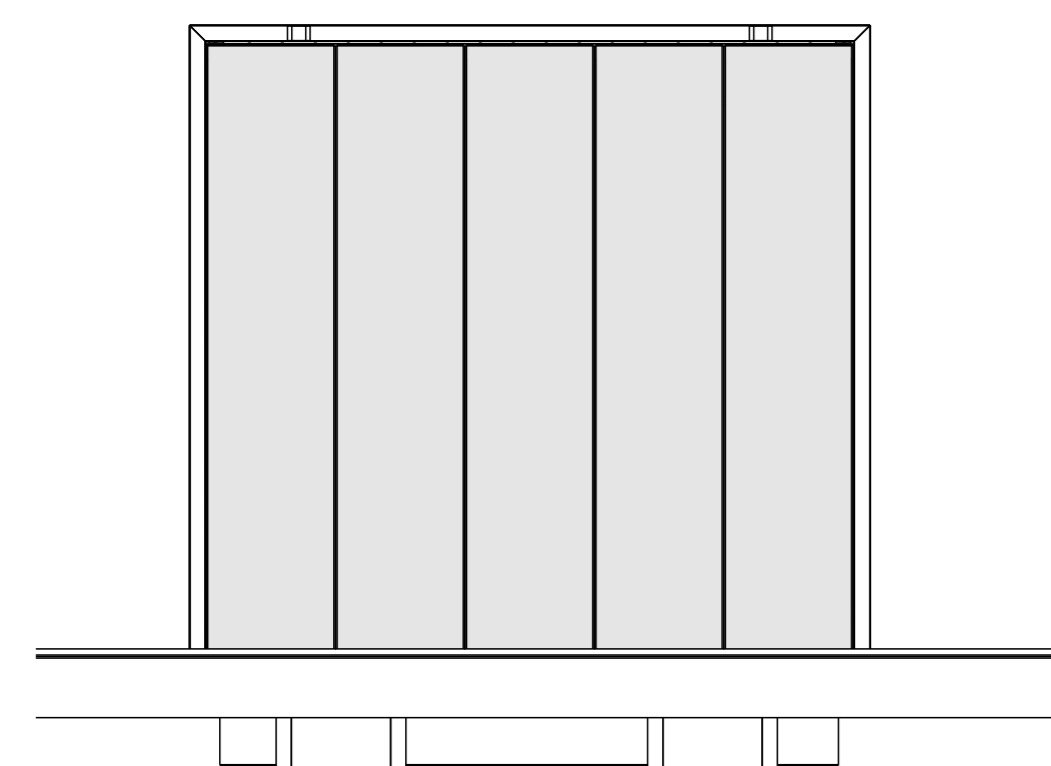
2.a - 2.a
1:25



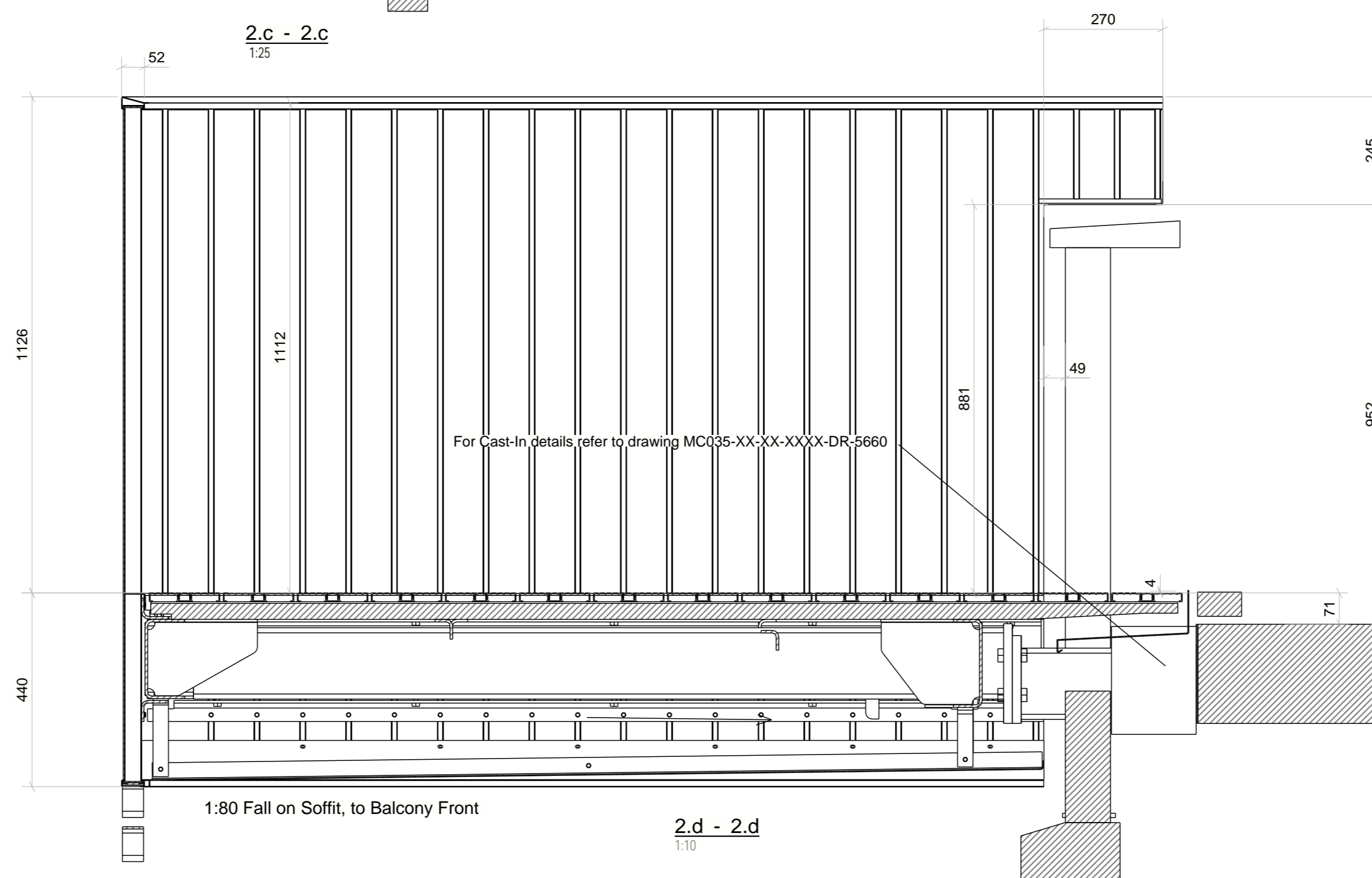
2.c - 2.c
1:25



Detail - A



2.b - 2.b
1:25



2.d - 2.d
1:10

For Planning

REV MARK	REVISION DATE	REVISION DESCRIPTION	BY
C3	06.12.2024	For Construction - Notation Adjusted for Planning	POC
C2	26.11.2024	For Construction - Perforations to Panels Removed	POC
C1	21.11.2024	Construction Issue	POC
P3	29.07.2024	Heights, Widths, Detail and Balustrade Type Revised	POC
P2	17.01.2024	For Approval - Review	POC
P1	20.09.2023	For Approval	POC



CLIENT	Myco Contracts Limited		
PROJECT	Acorn House		
TITLE	Type 2 Balcony Details		
STATUS	For Construction		
DATE	06.12.2024	SCALE	NTS
		DRAWN BY	POC
DRAWING NUMBER	MC035-BPL-XX-XX-XX-DR-5665		REVISION
			C3