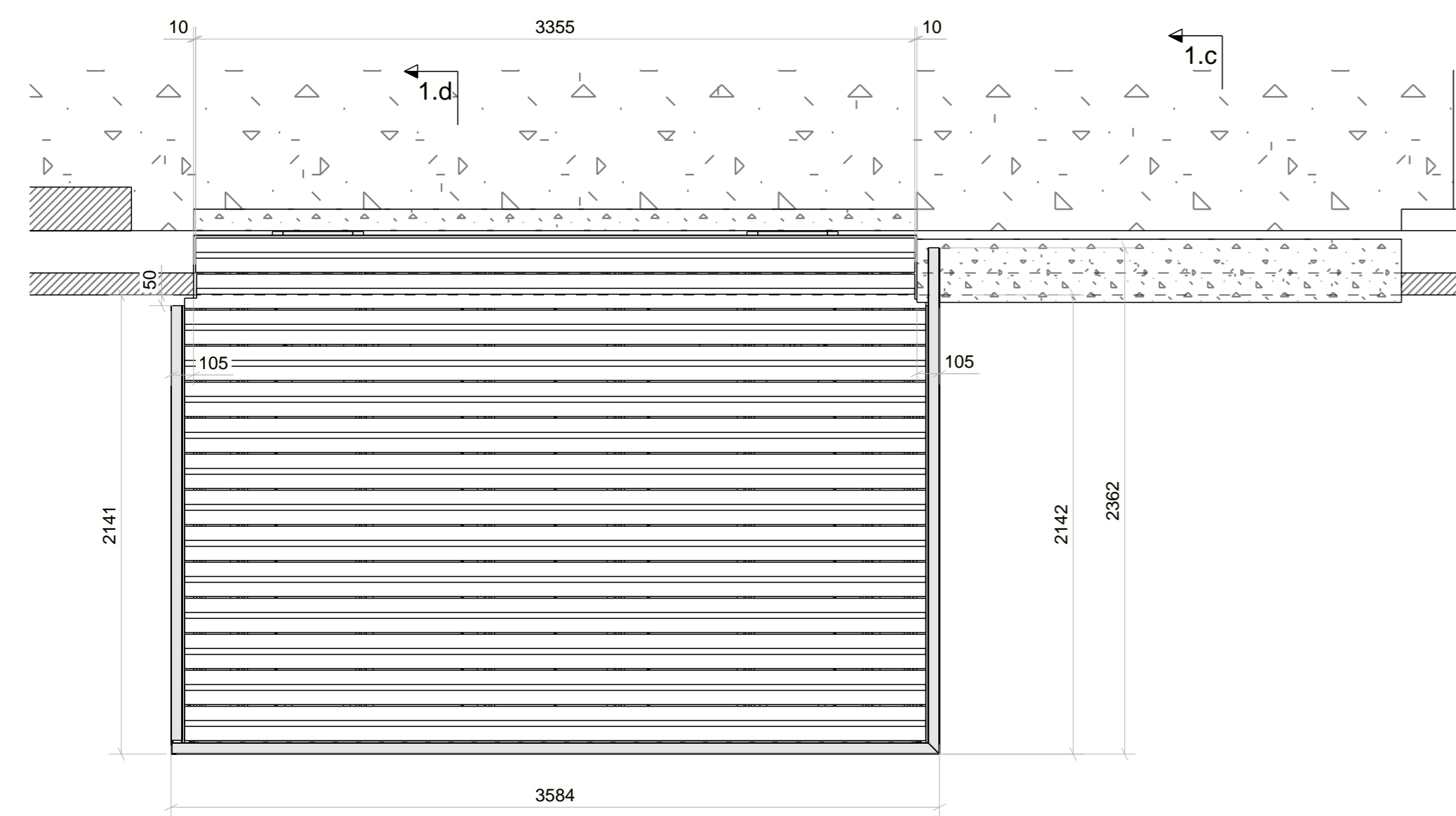
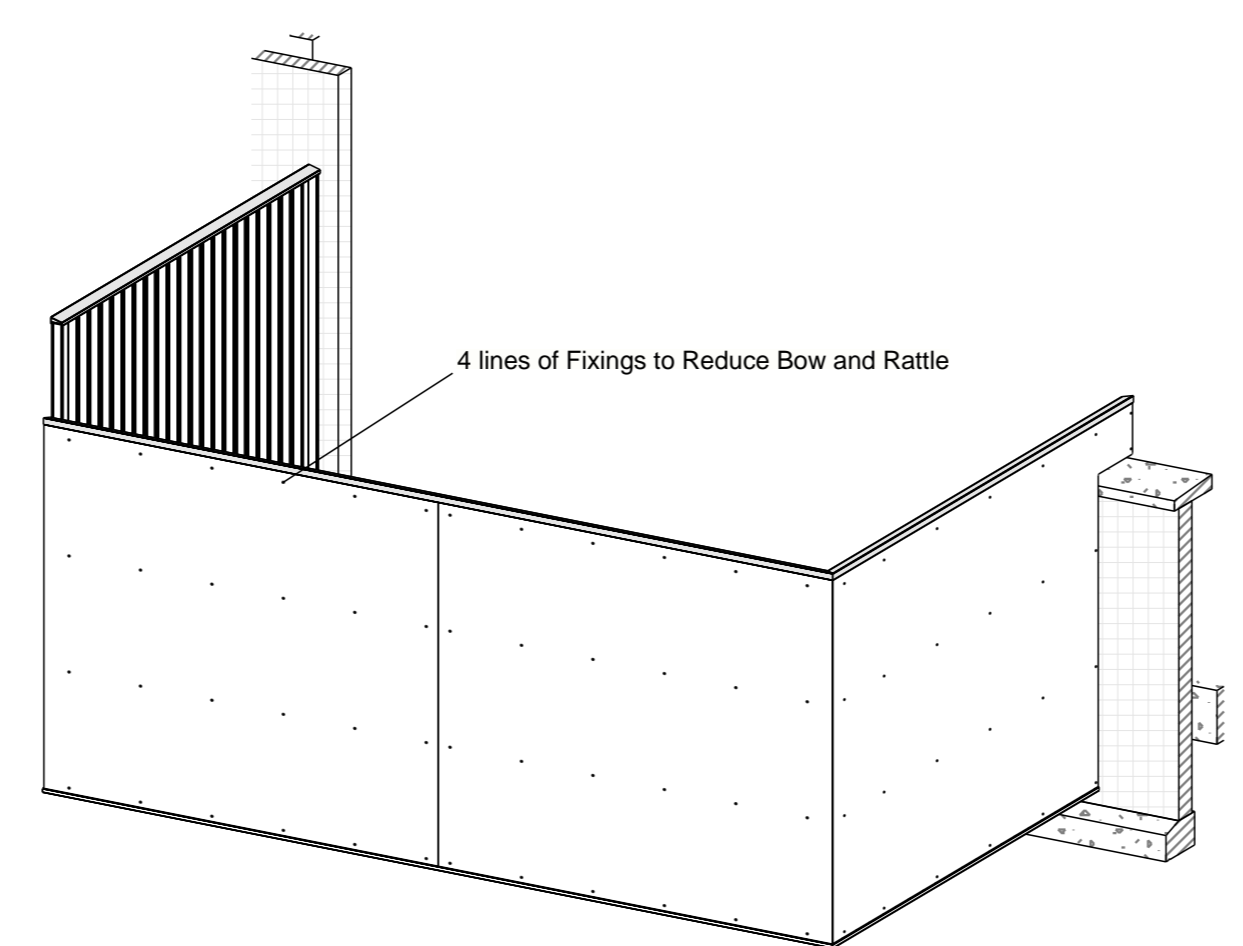


Disclaimer: All design detail within this drawing are intellectual property of Brooksby Projects Ltd and cannot be duplicated without written consent

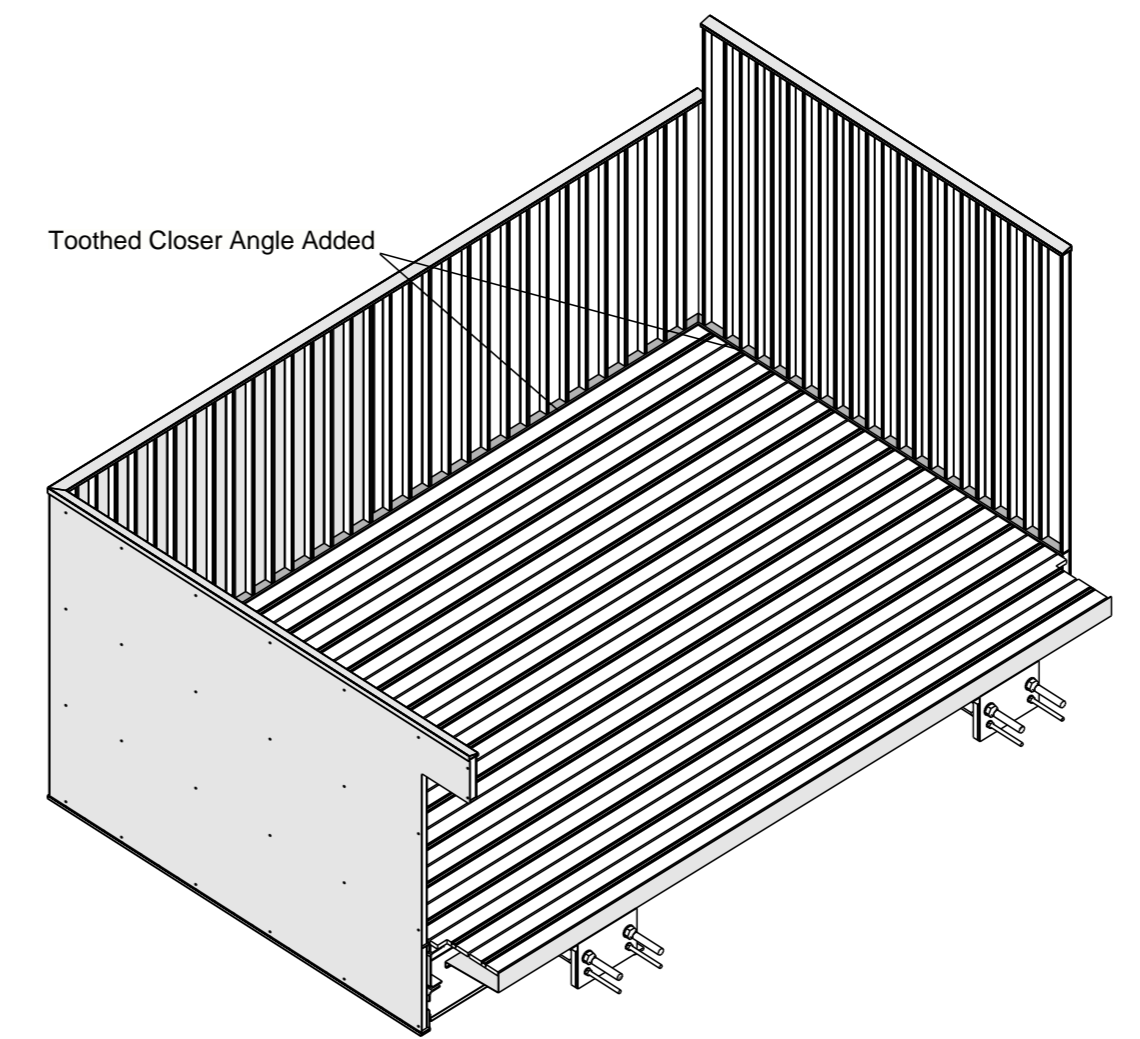
GENERAL NOTES:
 Specification Details;
 Soffits Out Of 2mm Aluminium Plate - Grade 1050A
 Balustrade Cover Plates Out Of 3mm Aluminium Plate - Grade 1050A
 Cap Rail and Infill bars
 All PPC Ral No. 7044 Silk Grey - 40 - 60% Gloss
 3mm Cover Plate Fixings - M5 Wide Flange Button Head Screws
 Chassis O/O 6mm Folded Plate - Grade S275 Galvanised to 85 Microns
 Decking - 160mm Wide x 20 Deep Aluminium
 - Ral No. 7016 Antracite Grey Standard Finish



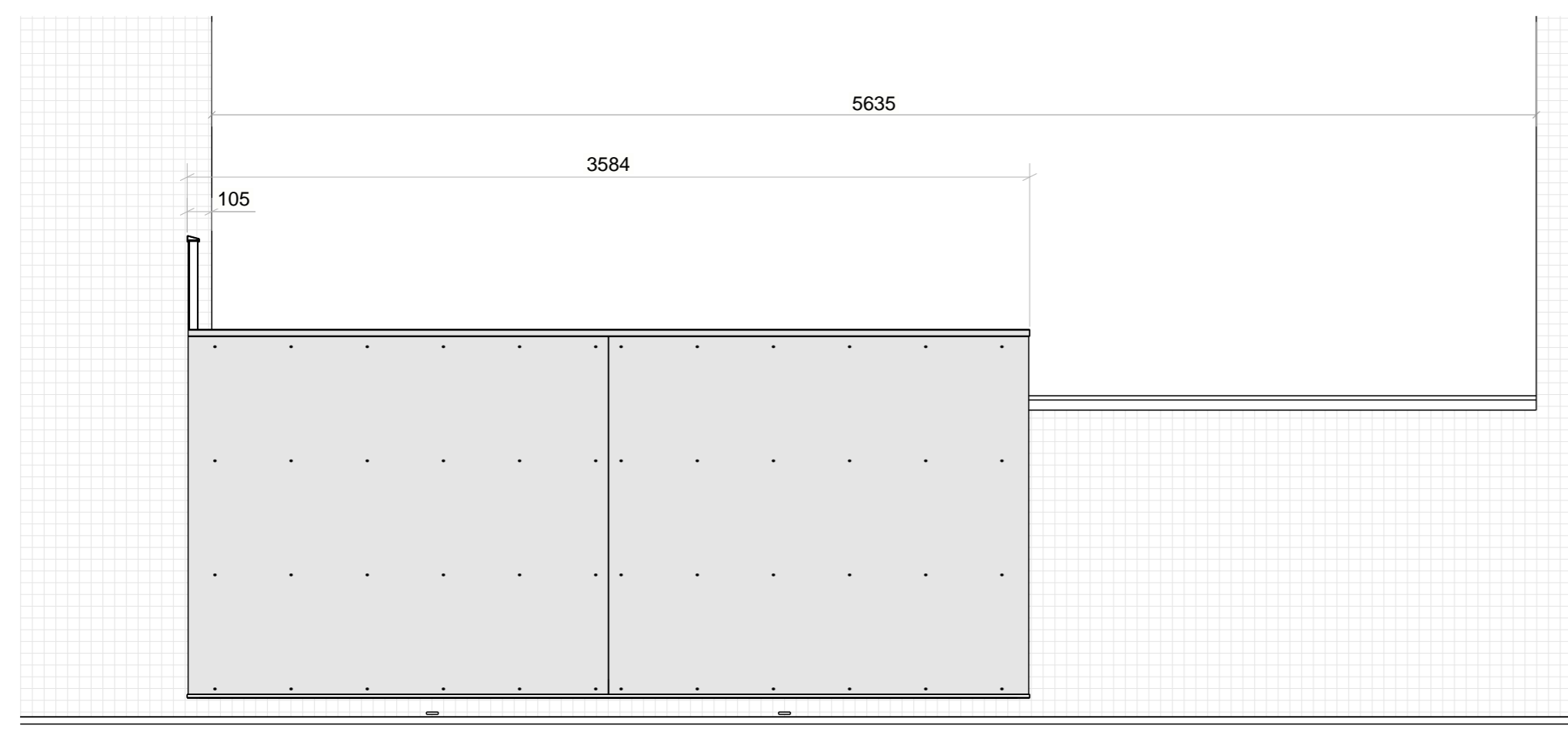
Balcony Type 1 - Plan
1:25



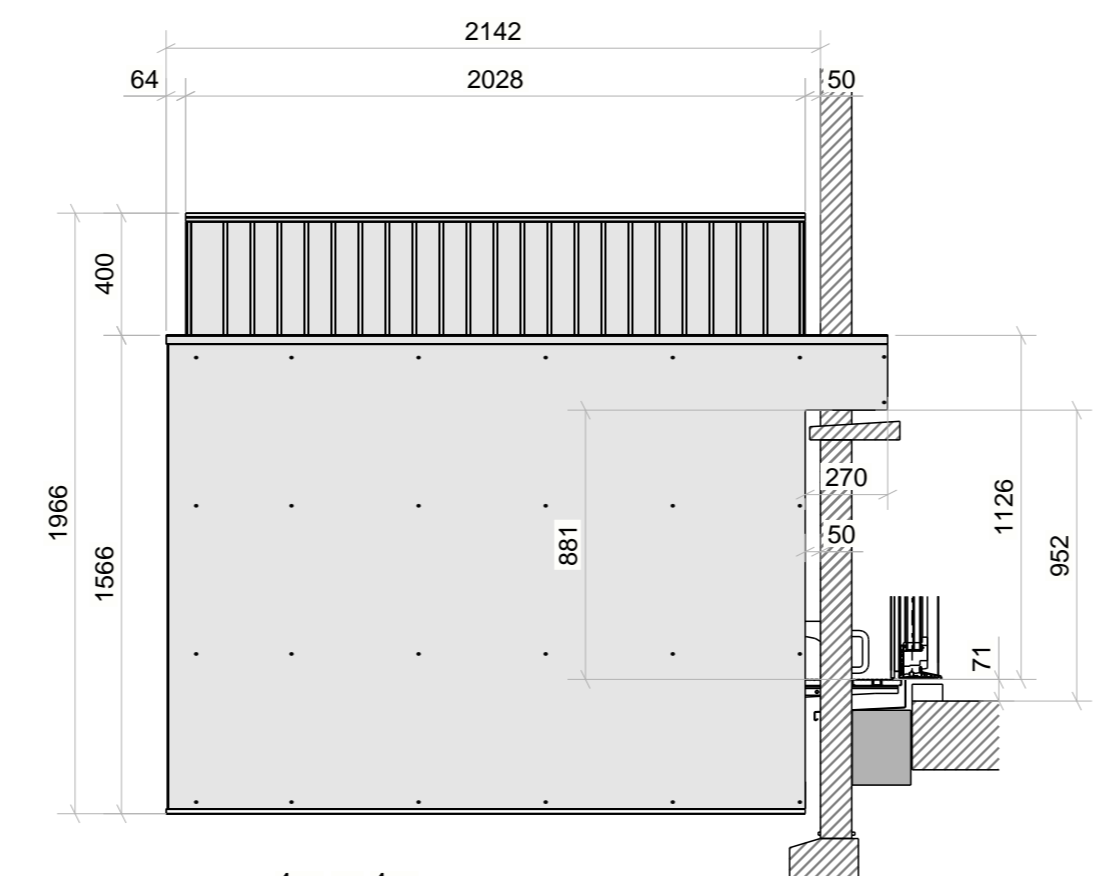
Balcony Type 1 - 3D View



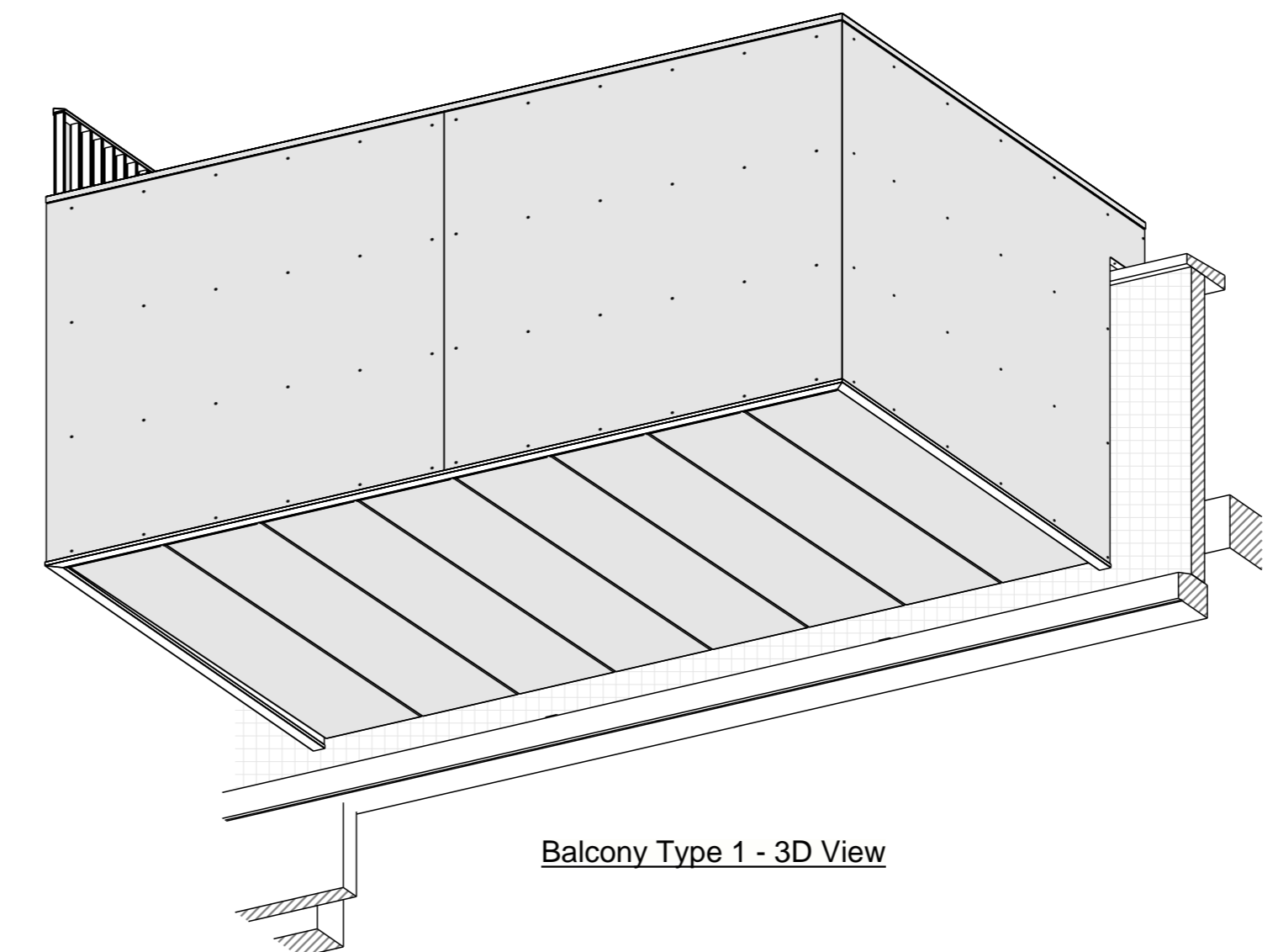
Balcony Type 1 - 3D View



1.a - 1.a
1:25



1.c - 1.c
1:25

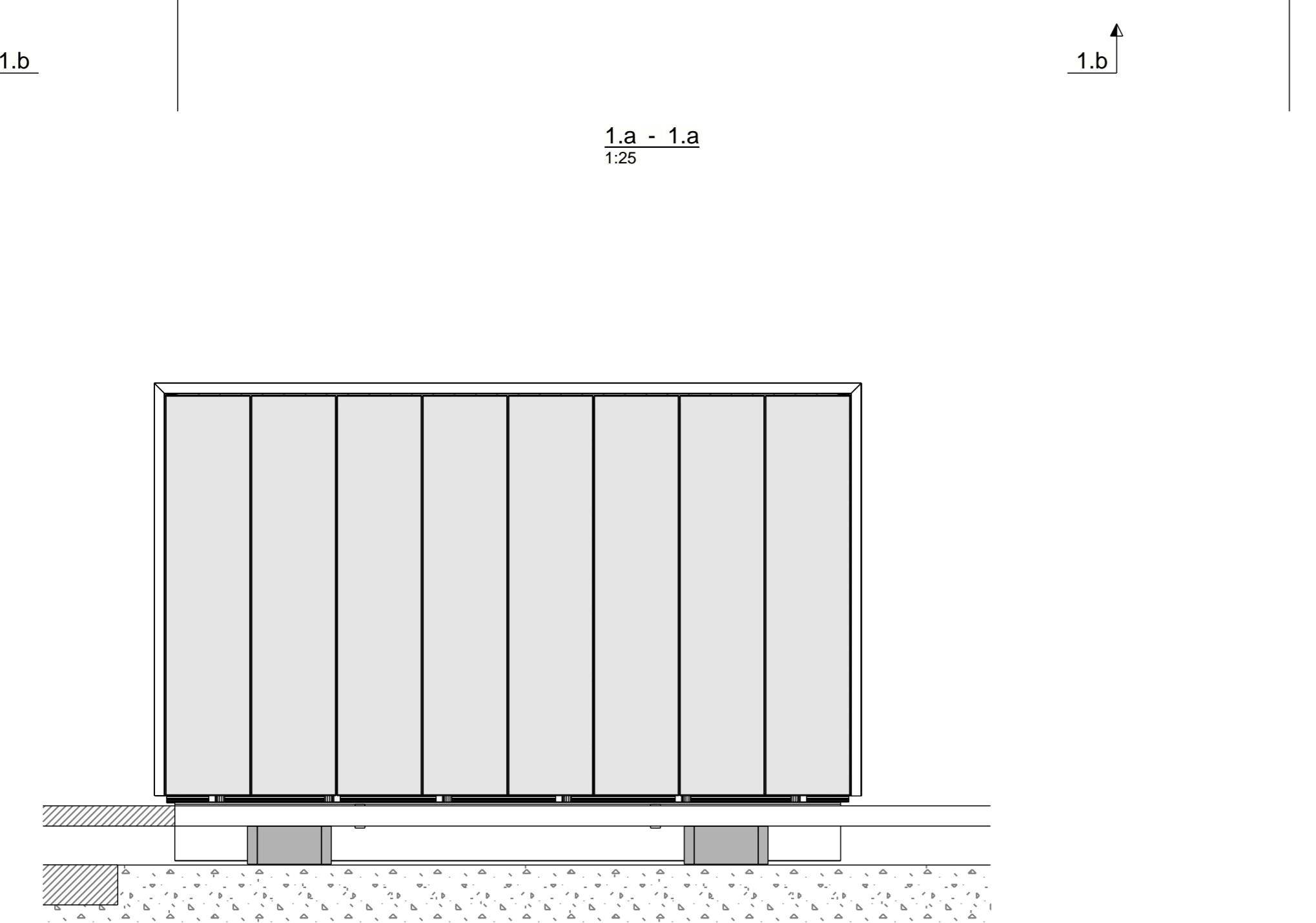


Balcony Type 1 - 3D View

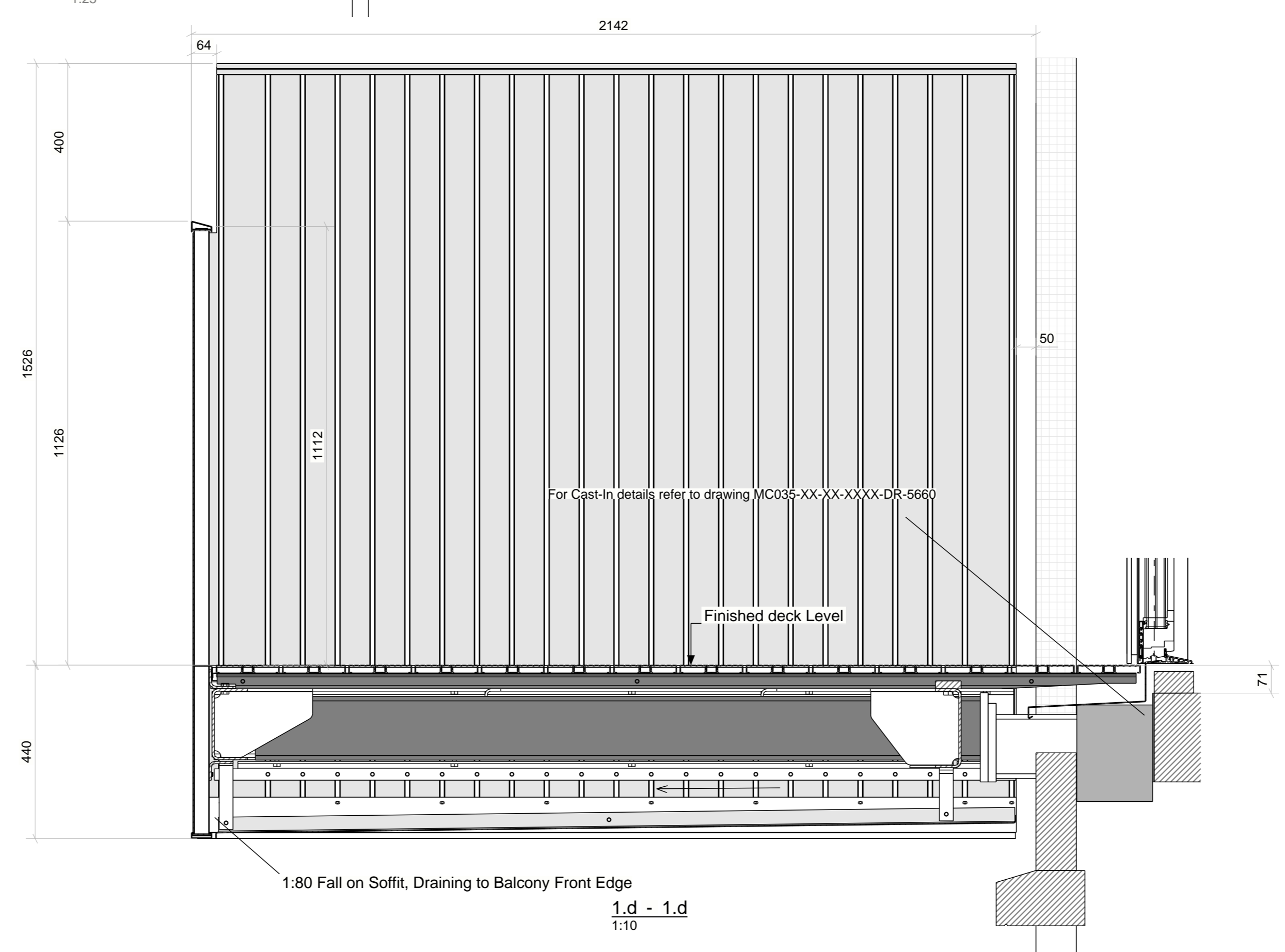
For Planning

REV MARK	REVISION DATE	REVISION DESCRIPTION	BY
C3	06.12.2024	For Construction - Notation Adjusted for Planning	POC
C2	26.11.2024	For Construction - Perforations to Panels Removed	POC
C1	21.11.2024	For Construction	POC
P5	01.10.2024	Gutter Removed, Soffit Falls Reversed, Alu Deck Added	POC
P4	26.07.2024	Heights, Widths, Detail and Balustrade Type Revised	POC
P3	19.04.2024	Balustrade Updated to Concealed Type	DP
P2	17.01.2024	For Approval - Review	POC
P1	20.09.2023	For Approval	POC

CLIENT	Myco Contracts Limited		
PROJECT	Acorn House		
TITLE	Type 1 Balcony Details		
STATUS	For Construction		
DATE	06.12.2024	SCALE	NTS
DRAWING NUMBER	MC035-BPL-XX-XX-XX-DR-5664		DRAWN BY
			POC
			REVISION
			C3



1.a - 1.a
1:25



1.d - 1.d
1:10